
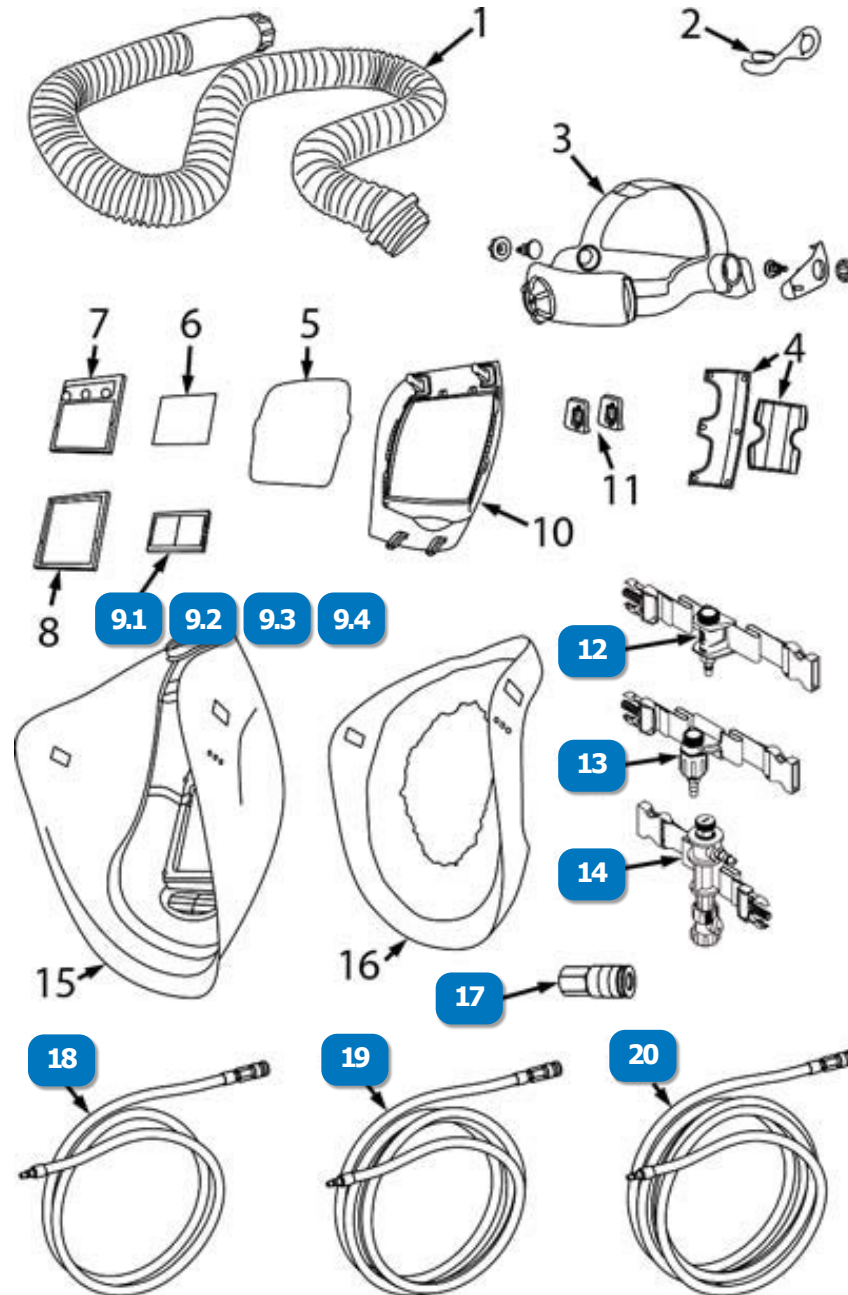


# WELDING RESPIRATOR

## Z3 - DISCONTINUED

#	DESCRIPTION	PART #
 DO-RAG		05-613
<b>9.1</b>	1.0 MAGNIFYING LENS, ULTRA, Z3, Z4® & Z-LINK®	13-072-1
<b>9.2</b>	1.5 MAGNIFYING LENS, ULTRA, Z3, Z4® & Z-LINK®	13-072-1.5
<b>9.3</b>	2.0 MAGNIFYING LENS, ULTRA, Z3, Z4® & Z-LINK®	13-072-2
<b>9.4</b>	2.5 MAGNIFYING LENS, ULTRA, Z3, Z4® & Z-LINK®	13-072-2.5
<b>12</b>	CONSTANT FLOW VALVE ASSEMBLY W/BELT	03-101
<b>13</b>	FLOW CONTROL VALVE ASSEMBLY W/BELT	NV-2016
<b>14</b>	COLD AIR TUBE (SILENCED) - FOR RPB® T100™, Z100™ & Z3 RESPIRATORS ONLY	NV-4000-40
<b>17</b>	RPB® 1/4" QUICK RELEASE COUPLER, 1/4" NPT FEMALE THREAD	NV-2025
<b>18</b>	RPB® 25' BREATHING AIR SUPPLY HOSE, 3/8" ID, 1/4" QUICK RELEASE FITTINGS	NV-2028
<b>19</b>	RPB® 50' BREATHING AIR SUPPLY HOSE, 3/8" ID, 1/4" QUICK RELEASE FITTINGS	NV-2029
<b>20</b>	RPB® 100' BREATHING AIR SUPPLY HOSE, 3/8" ID, 1/4" QUICK RELEASE FITTINGS	NV-2027



www.idsblast.com  
 (317) 545-0665 • (800) 800-0665  
 2717 Tobey Dr. Indianapolis, IN 46219