
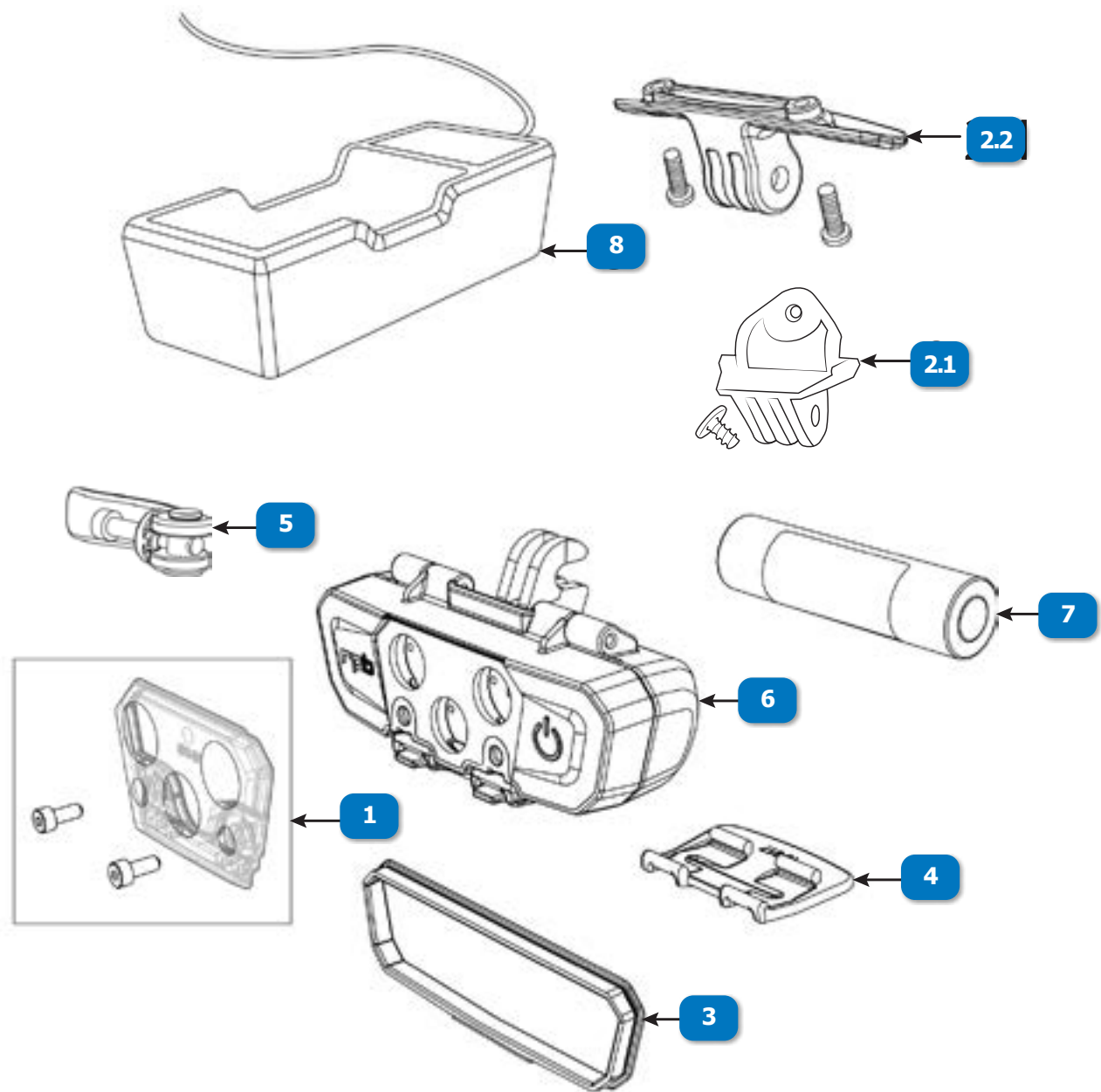


# LIGHT KIT

## RPB® VISION-LINK™

#	DESCRIPTION	PART #
	VISION-LINK™ COMPLETE LIGHT KIT	16-901
1	VISION-LINK™ PROTECTIVE LENS WITH SCREWS	16-916
2.1	VISION-LINK™ LIGHT MOUNT W/ SCREW, FOR Z-LINK® & Z4®	15-839
2.2	VISION-LINK™ LIGHT MOUNT W/ SCREWS, FOR T-LINK®	16-918
3	VISION-LINK™ COWLING SEAL	16-915
4	VISION-LINK™ LATCH	16-917
5	VISION-LINK™ ADJUSTMENT LEVER KIT	16-919
6	VISION-LINK™ LED LIGHT UNIT ASSEMBLY W/O CHARGER	16-910
7	VISION-LINK™ LITHIUM ION BATTERY	09-055
8	VISION-LINK™ LITHIUM ION 2-BAY BATTERY CHARGER	09-050



www.idsblast.com  
 (317) 545-0665 • (800) 800-0665  
 2717 Tobey Dr. Indianapolis, IN 46219