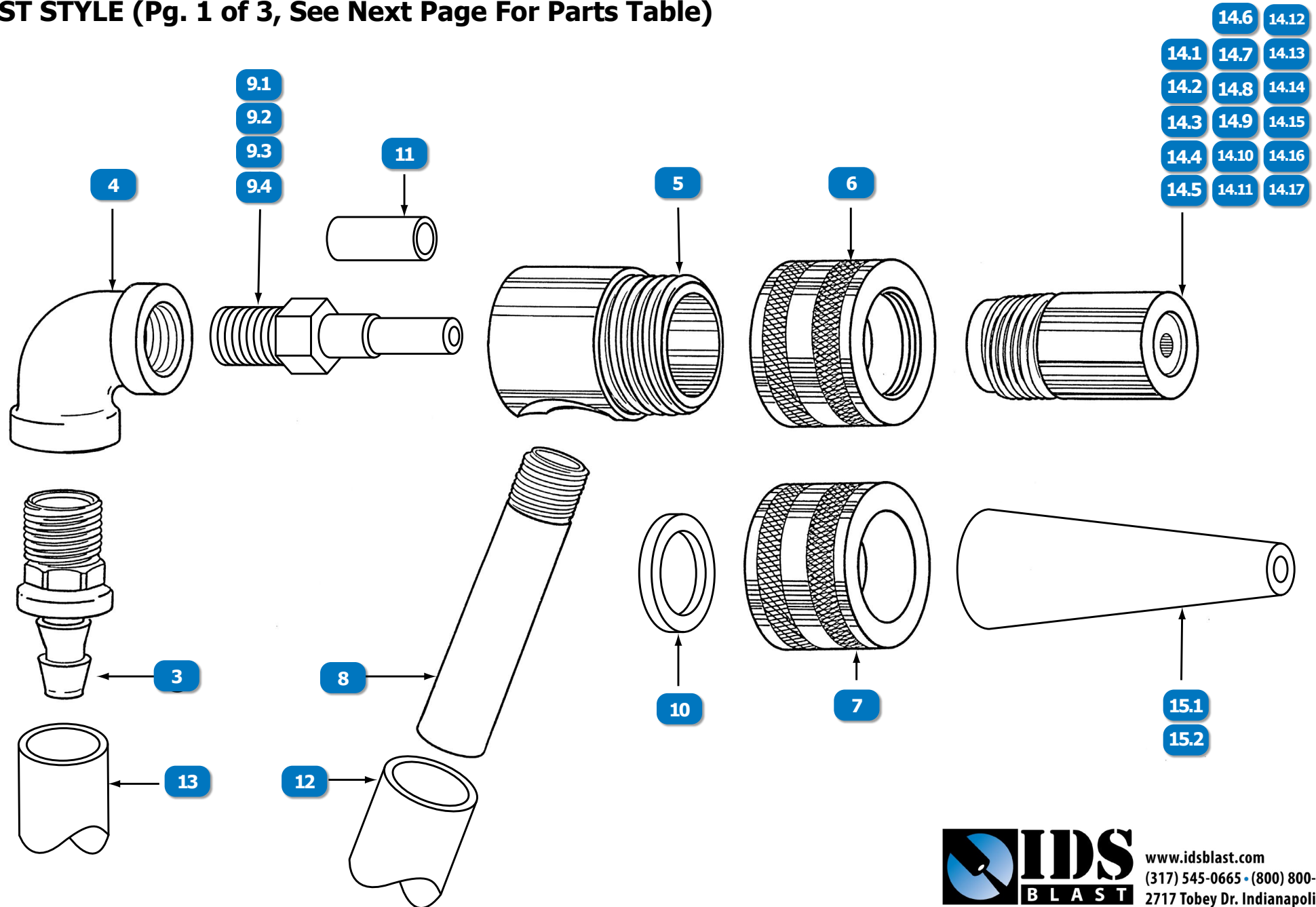


SUCTION GUN

UNIBLAST STYLE (Pg. 1 of 3, See Next Page For Parts Table)



SUCTION GUN

UNIBLAST STYLE (Pg. 2 of 3)

#	DESCRIPTION	PART #
	GUN ASSY. 5/16" TUNGSTEN CARBIDE NOZZLE 1/8" AIR JET	F113-002
	GUN ASSY. 5/16" TUNGSTEN CARBIDE NOZZLE 5/32" AIR JET	F113-003
	GUN ASSY. 3/8" TUNGSTEN CARBIDE NOZZLE 5/32" AIR JET	F113-004
	GUN ASSY. 3/8" TUNGSTEN CARBIDE NOZZLE 3/16" AIR JET	F113-005
	GUN ASSY. 1/2" TUNGSTEN CARBIDE NOZZLE 1/4" AIR JET	F113-006
	GUN ASSY. 5/16" BORON CARBIDE STRAIGHT NOZZLE 1/8" AIR JET	F113-020
	GUN ASSY. 5/16" BORON CARBIDE VENTURI NOZZLE 1/8" AIR JET	F113-021
	GUN ASSY. 5/16" BORON CARBIDE STRAIGHT NOZZLE 5/32" AIR JET	F113-022
	GUN ASSY. 5/16" BORON CARBIDE VENTURI NOZZLE 5/32" AIR JET	F113-023
	GUN ASSY. 3/8" BORON CARBIDE STRAIGHT NOZZLE 5/32" AIR JET	F113-024
	GUN ASSY. 3/8" BORON CARBIDE VENTURI NOZZLE 5/32" AIR JET	F113-025
	GUN ASSY. 3/8" BORON CARBIDE STRAIGHT NOZZLE 3/16" AIR JET	F113-027
	GUN ASSY. 3/8" BORON CARBIDE VENTURI NOZZLE 3/16" AIR JET	F113-028
	GUN ASSY. 1/2" BORON CARBIDE STRAIGHT NOZZLE 1/4" AIR JET	F113-029
	GUN ASSY. 5/16" CERAMIC NOZZLE 1/8" AIR JET	F113-007
	GUN ASSY. 5/16" CERAMIC NOZZLE 5/32" AIR JET	F113-008
	GUN ASSY. 3/8" CERAMIC NOZZLE 5/32" AIR JET	F113-009
	GUN ASSY. 3/8" CERAMIC NOZZLE 3/16" AIR JET	F113-010

#	DESCRIPTION	PART #
3	FITTING, 1/2" HOSE BARB x 3/8" NPT	1219-340
4	ELBOW 90* 3/8" NPT	F110-103
5	MIXING CHAMBER W/SET SCREW	F113-011
6	LOCKNUT FOR TUNGSTEN CARBIDE / BORON CARBIDE NOZZLE	F113-012
7	LOCKNUT FOR CERAMIC NOZZLE	F113-013
8	MEDIA INLET TUBE	F113-014
9.1	1/8" RUBBERIZED AIR JET (#4)	F113-015
9.2	5/32" RUBBERIZED AIR JET (#5)	F113-016
9.3	3/16" RUBBERIZED AIR JET (#6)	F113-017
9.4	1/4" RUBBERIZED AIR JET (#8)	F113-018
10	NOZZLE WASHER, 5/8" ID	F113-019
11	GUM RUBBER SLEEVE FOR AIR JETS	F113-031
12	HOSE, SUCTION, CLEAR, NOMINAL 5/8" ID x 7/8" OD, PRICE PER FOOT, SOLD IN 10' INCREMENTS ONLY, BOX SIZE 100'	C-210-A5/8
13	HOSE, AIR, INSTA-GRIP, BLACK, NOMINAL 1/2" ID, WP 300 PSI, PRICE PER FOOT, SOLD IN 10' INCREMENTS ONLY, REEL SIZE 500'	535-278-016
14.1	NOZZLE, BORON CARBIDE, SHORT STRAIGHT, 1/8" BORE, 1/2" ENTRY, 3/4" NPSM THREAD x 2-1/8" LENGTH, STEEL JACKET	1348-112
14.2	NOZZLE, BORON CARBIDE, SHORT STRAIGHT, 3/16" BORE, 1/2" ENTRY, 3/4" NPSM THREAD x 2-1/8" LENGTH, STEEL JACKET	1348-113
14.3	NOZZLE, BORON CARBIDE, SHORT STRAIGHT, 1/4" BORE, 1/2" ENTRY, 3/4" NPSM THREAD x 2-1/8" LENGTH, STEEL JACKET	1348-114

SUCTION GUN

UNIBLAST STYLE (Pg. 3 of 3)

#	DESCRIPTION	PART #
14.4	NOZZLE, BORON CARBIDE, SHORT STRAIGHT, 5/16" BORE, 1/2" ENTRY, 3/4" NPSM THREAD x 2-1/8" LENGTH, STEEL JACKET	1348-115
14.5	NOZZLE, BORON CARBIDE, SHORT STRAIGHT, 3/8" BORE, 1/2" ENTRY, 3/4" NPSM THREAD x 2-1/8" LENGTH, STEEL JACKET	1348-116
14.6	NOZZLE, BORON CARBIDE, SHORT STRAIGHT, 1/2" BORE, 1/2" ENTRY, 3/4" NPSM THREAD x 2-1/8" LENGTH, STEEL JACKET	1348-118
14.7	NOZZLE, TUNGSTEN CARBIDE, STRAIGHT BORE, 1/8" BORE, 3/4" NPSM THREAD x 1-5/8" LENGTH, STEEL JACKET	T106-2
14.8	NOZZLE, TUNGSTEN CARBIDE, STRAIGHT BORE, 3/16" BORE, 3/4" NPSM THREAD x 1-5/8" LENGTH, STEEL JACKET	T106-3
14.9	NOZZLE, TUNGSTEN CARBIDE, STRAIGHT BORE, 1/4" BORE, 3/4" NPSM THREAD x 1-5/8" LENGTH, STEEL JACKET	T106-4
14.10	NOZZLE, TUNGSTEN CARBIDE, STRAIGHT BORE, 5/16" BORE, 3/4" NPSM THREAD x 1-5/8" LENGTH, STEEL JACKET	T106-5
14.11	NOZZLE, TUNGSTEN CARBIDE, STRAIGHT BORE, 3/8" BORE, 3/4" NPSM THREAD x 1-5/8" LENGTH, STEEL JACKET	T106-6
14.12	NOZZLE, TUNGSTEN CARBIDE, STRAIGHT BORE, 7/16" BORE, 3/4" NPSM THREAD x 1-5/8" LENGTH, STEEL JACKET	T106-7
14.13	NOZZLE, TUNGSTEN CARBIDE, STRAIGHT BORE, 1/2" BORE, 3/4" NPSM THREAD x 1-5/8" LENGTH, STEEL JACKET	T106-8
14.14	NOZZLE, BORON CARBIDE, SHORT VENTURI, 3/16" BORE, 1/2" ENTRY, 3/4" NPSM THREAD, 2" LENGTH, STEEL JACKET	1348-1133
14.15	NOZZLE, BORON CARBIDE, SHORT VENTURI, 1/4" BORE, 1/2" ENTRY, 3/4" NPSM THREAD, 2" LENGTH, STEEL JACKET	1348-1144
14.16	NOZZLE, BORON CARBIDE, SHORT VENTURI, 5/16" BORE, 1/2" ENTRY, 3/4" NPSM THREAD, 2" LENGTH, STEEL JACKET	1348-1155
14.17	NOZZLE, BORON CARBIDE, SHORT VENTURI, 3/8" BORE, 1/2" ENTRY, 3/4" NPSM THREAD, 2" LENGTH, STEEL JACKET	1348-1166
15.1	NOZZLE, CERAMIC, LONG TAPERED CONE, STRAIGHT BORE, 5/16" BORE, 3-3/4" LENGTH	C1-5
15.2	NOZZLE, CERAMIC, LONG TAPERED CONE, STRAIGHT BORE, 3/8" BORE, 3-3/4" LENGTH	C1-6



www.idsblast.com
 (317) 545-0665 • (800) 800-0665
 2717 Tobey Dr. Indianapolis, IN 46219