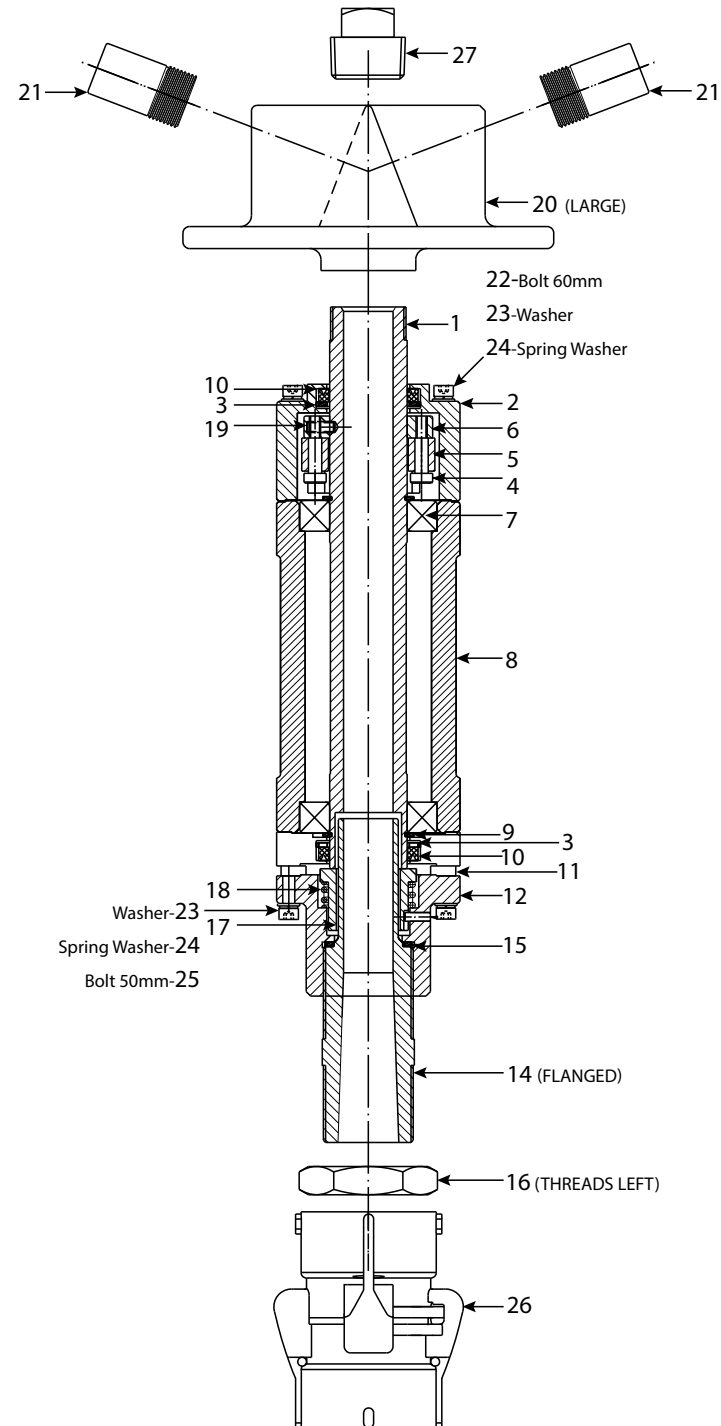


# PIPE BLASTER

## TYPHOON (Pg. 1 of 2)

| #  | DESCRIPTION  | PART # |
|--|--|--------|
|  | TYPHOON PIPE BLASTER, TOOL COMPLETE, INCLUDES SMALL ROTATING HEAD & (2) 1/4" TUNGSTEN CARBIDE NOZZLES (MAJORLY IMPROVED OVER LEGACY DESIGNS)     | 017000 |
|  | TYPHOON PIPE BLASTER, OPTIONAL SMALL RANGE SCISSOR CARRIAGE, 8" TO 17"   | 015100 |
|  | TYPHOON PIPE BLASTER, OPTIONAL MEDIUM RANGE CARRIAGE SET, 12" TO 36"   | 016400 |
|  | TYPHOON PIPE BLASTER, OPTIONAL LARGE RANGE CARRIAGE SET, 40" TO 60"  | 016500 |
|  | TYPHOON PIPE BLASTER, ENTRY NOZZLE CONVERSION KIT, CONVERTS PREVIOUS MODELS TO CURRENT, INCLUDES FLANGED ENTRY NOZZLE, LOCK RING & THREADED BASE | 019000 |
| <b>1</b>   | TYPHOON PIPE BLASTER, TUBE   | 019500 |
| <b>2</b>   | TYPHOON PIPE BLASTER, CENTRIFUGAL SPEED LIMITER HOUSING  | 021700 |
| <b>3</b>   | TYPHOON PIPE BLASTER, FELT SEAL, 41 OD x 35 ID x 2.5W  | 018900 |
| <b>4</b>   | TYPHOON PIPE BLASTER, UNBRAKO SHOULDER SCREW, 6 OD x M5 x 16   | 036600 |
| <b>5</b>   | TYPHOON PIPE BLASTER, CENTRIFUGAL SPEED LIMITER SHOE (PAIR)  | 021800 |
| <b>6</b>   | TYPHOON PIPE BLASTER, CENTRIFUGAL SPEED LIMITER SUPPORT RING   | 021900 |
| <b>7</b>   | TYPHOON PIPE BLASTER, BEARING, 35 ID x 62 OD   | 019100 |
| <b>8</b>   | TYPHOON PIPE BLASTER, BODY   | 019200 |
| <b>9</b>   | TYPHOON PIPE BLASTER, EXTERNAL CIRCLIP, 35mm DIA   | 032100 |
| <b>10</b>  | TYPHOON PIPE BLASTER, U-SEAL   | 020800 |



www.idsblast.com  
 (317) 545-0665 - (800) 800-0665  
 2717 Tobey Dr. Indianapolis, IN 46219

# PIPE BLASTER

## TYPHOON (Pg. 2 of 2)

| #    | DESCRIPTION   | PART #    |
|------|---|-----------|
| 11   | TYPHOON PIPE BLASTER, SEAL RETAINER   | 020700    |
| 12   | TYPHOON PIPE BLASTER, BASE, THREADED INSIDE AND OUT, INCLUDES PIN (FITS CURRENT AND PREVIOUS MODELS)                | 018500    |
| 14.1 | TYPHOON PIPE BLASTER, ENTRY NOZZLE, FLANGED (FITS CURRENT MODELS)   | 019602    |
| 14.2 | TYPHOON PIPE BLASTER, ENTRY NOZZLE WITHOUT FLANGE (FITS 2018 AND PREVIOUS MODELS WITH ENTRY NOZZLES WITHOUT FLANGE) | 019601    |
| 15   | TYPHOON PIPE BLASTER, REAR SEALING WASHER   | 019700    |
| 16.1 | TYPHOON PIPE BLASTER, LOCK RING, 1-3/4" BSP, LEFT HANDED THREADS (FITS CURRENT MODELS WITH FLANGED ENTRY NOZZLE)    | 018401    |
| 16.2 | TYPHOON PIPE BLASTER, NUT, 1-1/4" BSP (FITS 2018 AND PREVIOUS MODELS WITH ENTRY NOZZLES WITHOUT FLANGE)             | 018400    |
| 17   | TYPHOON PIPE BLASTER, FLANGED WEAR SLEEVE   | 019900    |
| 18   | TYPHOON PIPE BLASTER, SPRING  | 019800    |
| 19   | TYPHOON PIPE BLASTER, SCREW SOCKET SET M5 x 12mm  | 036700    |
| 20.1 | TYPHOON PIPE BLASTER, SMALL ROTATING HEAD, SUITS 3/4" NPSM THREAD NOZZLES   | 013400    |
| 20.2 | TYPHOON PIPE BLASTER, LARGE ROTATING HEAD, SUITS 1-1/4" NPSM THREAD NOZZLES (OPTIONAL)                              | 013700    |
| 21.1 | NOZZLE, TUNGSTEN CARBIDE, STRAIGHT BORE, 1/4" BORE, 3/4" NPSM THREAD x 1-5/8" LENGTH, STEEL JACKET                  | T106-4    |
| 21.2 | NOZZLE, BORON CARBIDE, SHORT STRAIGHT, 1/4" BORE, 1/2" ENTRY, 3/4" NPSM THREAD x 2-1/8" LENGTH, STEEL JACKET        | 1348-114  |
| 21.3 | NOZZLE, TUNGSTEN CARBIDE, AIR INDUCTION, 5/16" BORE, 1/2" ENTRY, 3/4", ALUM JACKET                                  | T124-5    |
| 21.4 | NOZZLE, BORON CARBIDE, AIR INDUCTION, 5/16" BORE, 1/2" ENTRY, 3/4", ALUM JACKET                                     | 1348-2515 |

| #    | DESCRIPTION   | PART #    |
|------|---|-----------|
| 21.5 | NOZZLE, TUNGSTEN CARBIDE, AIR INDUCTION, 3/8" BORE, 1/2" ENTRY, 3/4", ALUM JACKET       | T124-6    |
| 21.6 | NOZZLE, BORON CARBIDE, AIR INDUCTION, 3/8" BORE, 1/2" ENTRY, 3/4", ALUM JACKET          | 1348-2516 |
| 21.7 | NOZZLE, SiAlON, LONG VENTURI, 1/4" BORE, 1" ENTRY, 1-1/4" NPSM THREAD, ALL POLY JACKET  | SN156-4AP |
| 21.8 | NOZZLE, SiAlON, LONG VENTURI, 5/16" BORE, 1" ENTRY, 1-1/4" NPSM THREAD, ALL POLY JACKET | SN156-5AP |
| 21.9 | NOZZLE, SiAlON, LONG VENTURI, 3/8" BORE, 1" ENTRY, 1-1/4" NPSM THREAD, ALL POLY JACKET  | SN156-6AP |
| 22   | TYPHOON PIPE BLASTER, BOLT, HEX HEAD M5 x 60mm  | 036800    |
| 23   | TYPHOON PIPE BLASTER, BOLT, WASHER, FLAT, 5mm   | 003800    |
| 24   | TYPHOON PIPE BLASTER, BOLT, WASHER, SPRING, 5mm   | 0051-00   |
| 25   | TYPHOON PIPE BLASTER, BOLT, HEX HEAD, M5 x 50mm   | 036900    |
| 26   | THR D CPLG, STD NPS, IRON, 1-1/4"   | IR-SB-1S  |
| 27   | TYPHOON PIPE BLASTER, PLUG, 1" NPT  | 035200    |



www.idsblast.com  
 (317) 545-0665 - (800) 800-0665  
 2717 Tobey Dr. Indianapolis, IN 46219