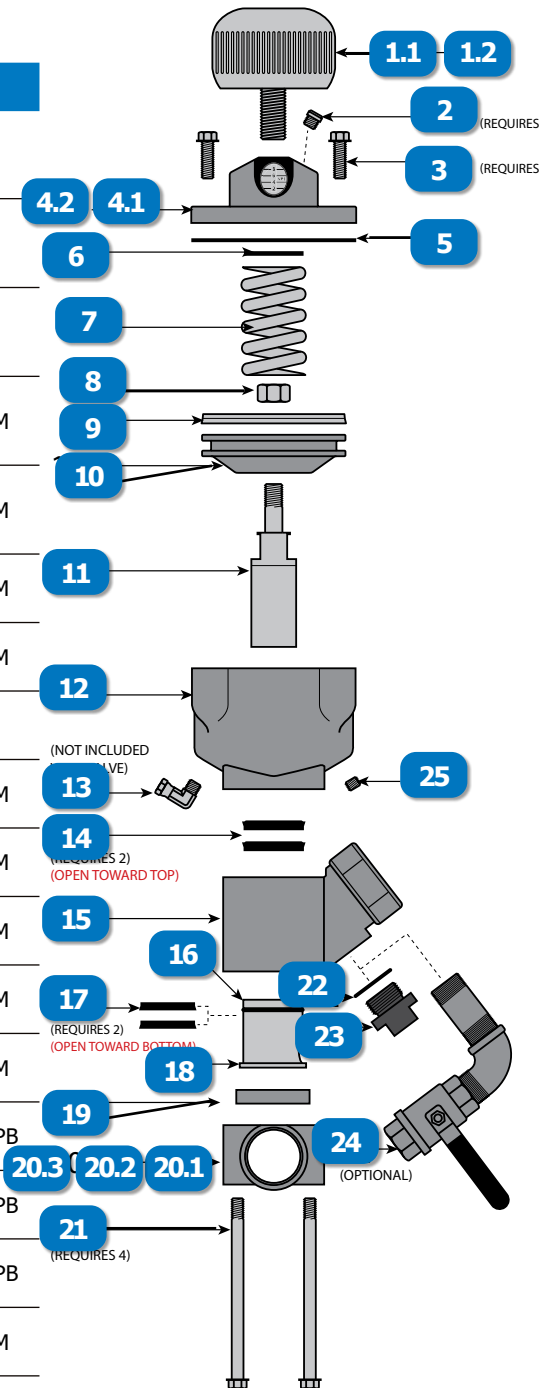


TERAVALVE II XL™

#	DESCRIPTION	PART #
	THOMPSON® VALVE II XL™, COMPLETE VALVE, 1", TUNGSTEN CARBIDE, 1-1/4" NPT BLAST POT CONNECTION, 1" FEMALE x 1-1/2" MALE NPT NIPPLE	2153-006 OEM
	THOMPSON® VALVE II XL™, COMPLETE VALVE, 1-1/4", TUNGSTEN CARBIDE, 1-1/4" NPT BLAST POT CONNECTION, 1-1/4" MALE x 1-1/4" MALE NPT NIPPLE	2153-007 OEM
	THOMPSON® VALVE II XL™, COMPLETE VALVE, 1-1/2", TUNGSTEN CARBIDE, 1-1/4" NPT BLAST POT CONNECTION, 1-1/2" MALE x 1-1/2" MALE NPT NIPPLE	2153-008 OEM
	THOMPSON® VALVE II XL™, REPLACEMENT PARTS KIT TVII XL CARBIDE, INCLUDES #5, 9, 11, (2)14, 16, (2)17, 18, 19 & 22	2153-000-99 OEM
	THOMPSON® VALVE II XL™, REPLACEMENT PARTS KIT TVII XL CARBIDE, SEALS ONLY, INCLUDES #5, 9, (2)14, 16, 19 & 22	2153-000-98 OEM
1.1	THOMPSON VALVE® II, KNOB	2152-000-01 OEM
1.2	THOMPSON® VALVE II XL™, KNOB DECAL	2153-000-27 OEM
2	VENT, 1/8"	888-2014-300PB
3	THOMPSON® VALVE II XL™, HEX HEAD FLANGE BOLT, 3/8" UNC x 1-1/4" LG. (4 PACK) (Original Equipment Mfg)	2153-000-25 OEM
4.1	THOMPSON® VALVE II XL™, CAP (Original Equipment Mfg)	2153-000-02 OEM
4.2	THOMPSON® VALVE II XL™, VIRTUAL POSITION INDICATOR DECAL (Original Equipment Mfg)	2153-000-24 OEM
5	THOMPSON® VALVE II XL™, CAP GASKET (Original Equipment Mfg)	2153-000-16 OEM
6	THOMPSON VALVE® II, VIBRATION DISC, PACK of 10 (Original Equipment Mfg)	2152-000-25 OEM
7	T2V, SPRING (PIRATE BRAND)	888-2152-00003PB
8	APV & TV2, NUT	888-2149-00008PB
9	APV, APV II, & T2V PISTON SEAL (GREEN URETHANE)	888-2148-00004PB
10	THOMPSON VALVE® II, PISTON (Original Equipment Mfg)	2152-000-05 OEM



#	DESCRIPTION	PART #
11	T2V, PLUNGER, TUNGSTEN CARBIDE (PIRATE BRAND)	888-2152-00007PB
12	THOMPSON® VALVE II XL™, CYLINDER (Original Equipment Mfg)	2153-000-09 OEM
13	SWIVEL 90*, 1/8"MNPT X 1/8"F	888-4203-50000PB
14	APV, PLUNGER SEAL W/ O-RING, BIG-BORE™	888-2149-50006PB
15	THOMPSON® VALVE II XL™, BODY (Original Equipment Mfg)	2153-000-14 OEM
16	T2V, O-RING FOR TC SLEEVE (PIRATE BRAND)	888-2152-00021PB
17	THOMPSON® VALVE II XL™, SLEEVE WIPER (Original Equipment Mfg)	2152-000-40 OEM
18	THOMPSON® VALVE II XL™, TUNGSTEN CARBIDE SLEEVE, INCLUDES O-RING & INTERNAL WIPERS (Original Equipment Mfg)	2153-000-13 OEM
19	T2V, SEAT, URETHANE (PIRATE BRAND)	888-2152-00010PB
20.1	THOMPSON® VALVE II, BASE, 1" NPT (1" FEMALE x 1-1/2" MALE) (Original Equipment Mfg)	2152-000-19 OEM
20.2	T2V, BASE, 1-1/4" NPT (1-1/4" MALE x 1-1/4" MALE) (PIRATE BRAND)	888-2152-00015PB
20.3	T2V, BASE, 1-1/2" NPT (1-1/2" MALE x 1-1/2" MALE) (PIRATE BRAND)	888-2152-00011PB
21	THOMPSON® VALVE II XL™, HEX HEAD FLANGE BOLT, 3/8" UNC x 4-3.4" LG. (4 PACK) (Original Equipment Mfg)	2153-000-26 OEM
22	THOMPSON® VALVE II XL™, PLUG O-RING (10 PACK) (Original Equipment Mfg)	2153-000-23 OEM
23	THOMPSON® VALVE II XL™, PLUG (Original Equipment Mfg)	2153-000-22 OEM
24	APV II & T2V CLEANOUT BALL VALVE ASSY	999-8403-00054PB
25	PLUG, 1/8" (Original Equipment Mfg)	3032-100 OEM