

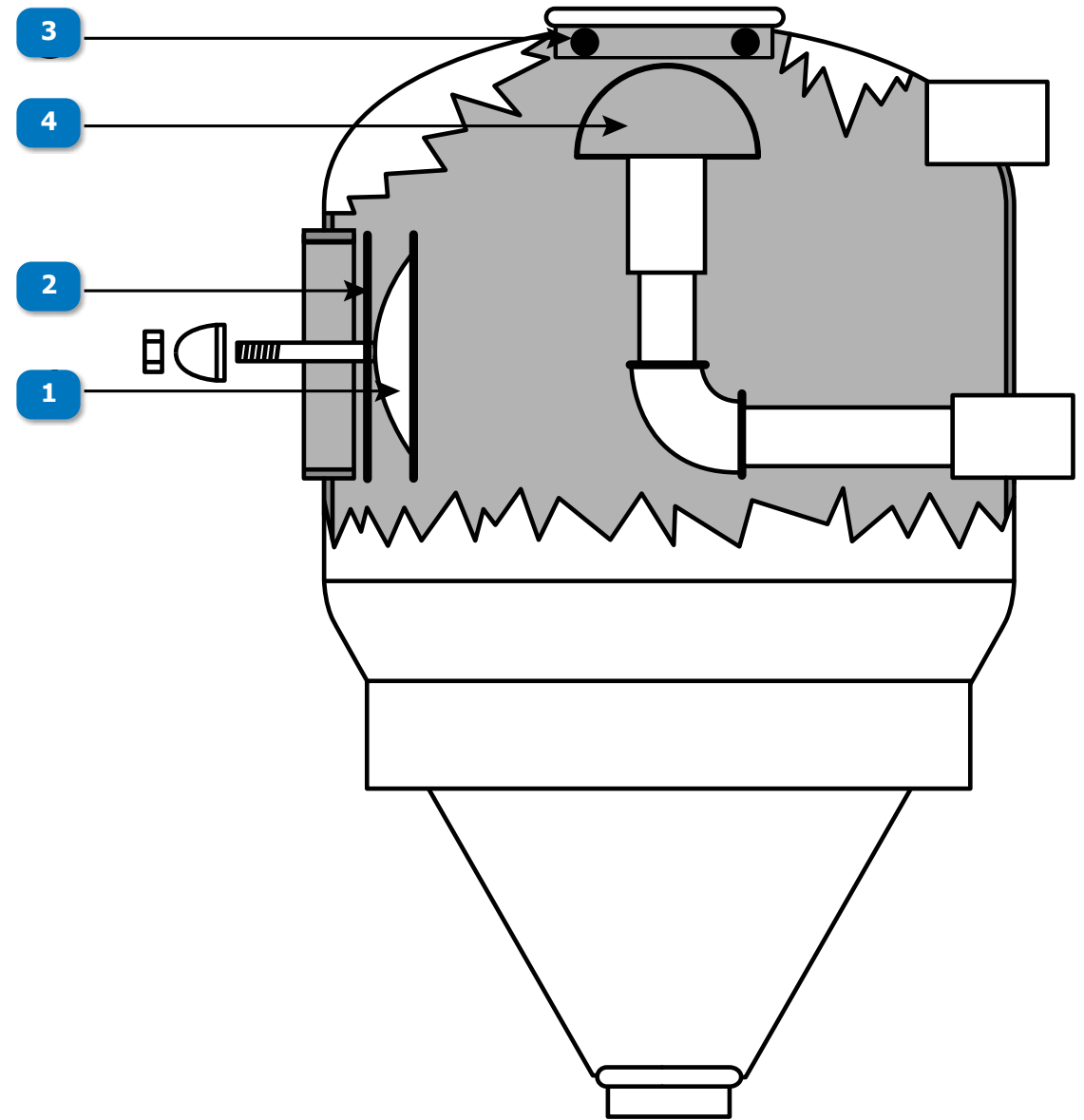


PRESSURE VESSEL

P&G STYLE

#	DESCRIPTION	PART #
	VESSEL, PRESSURE, 14P, 1.0 CU. FT, 60* CONE INCLUDES HANDWAY ASSEMBLY, POP-UP & "O"-RING SEAT	491-030-17
	1/4" POROUS CYLINDER	240-085-02
1	HANDWAY CRAB ASSY 4" x 6"	888-7000-00011PB
2	GASKET, HANDWAY, 4" x 6"	524292
3	O-RING 3-1/2" ID x 5-1/2" OD	470-030-04
4	POP-UP, FEMALE W/3" STEM	620-100-32



www.idsblast.com
 (317) 545-0665 - (800) 800-0665
 2717 Tobey Dr. Indianapolis, IN 46219