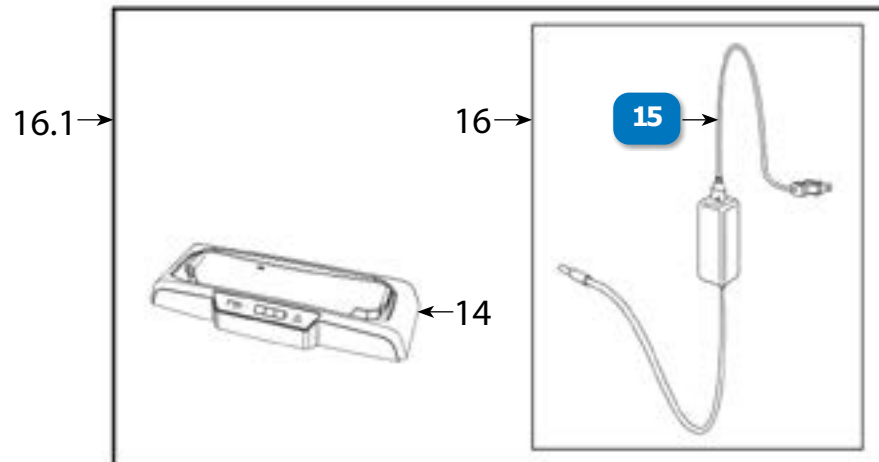
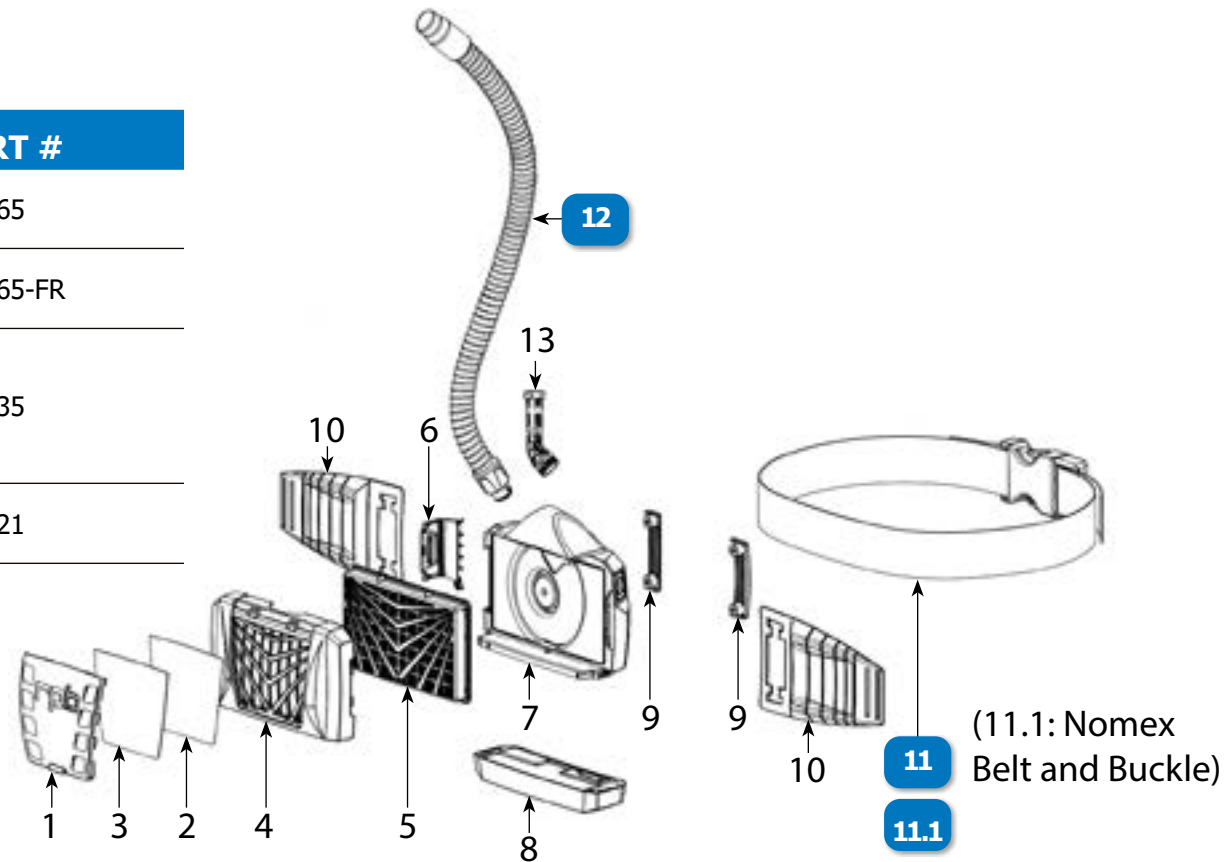


# PX4 AIR PAPR

## RPB®

#	DESCRIPTION	PART #
11	PX4/PX5 2" BELT AND NYLON BUCKLE	07-765
11.1	PX4/PX5 FIRE RATED NOMEX® BELT AND ACETYL BUCKLE	07-765-FR
12	LINK® SYSTEM, BREATHING TUBE, NEW STYLE (RPB PN 04-837A), FOR PX4 AIR PAPR, INCLUDES ADAPTOR TO CONNECT NEW STYLE BREATHING TUBE TO OLD STYLE RESPIRATOR (REPLACES RPB PN 04-835)	04-835
15	120V AC POWER CABLE (U.S.A.)	09-021



www.idsblast.com  
 (317) 545-0665 • (800) 800-0665  
 2717 Tobey Dr. Indianapolis, IN 46219