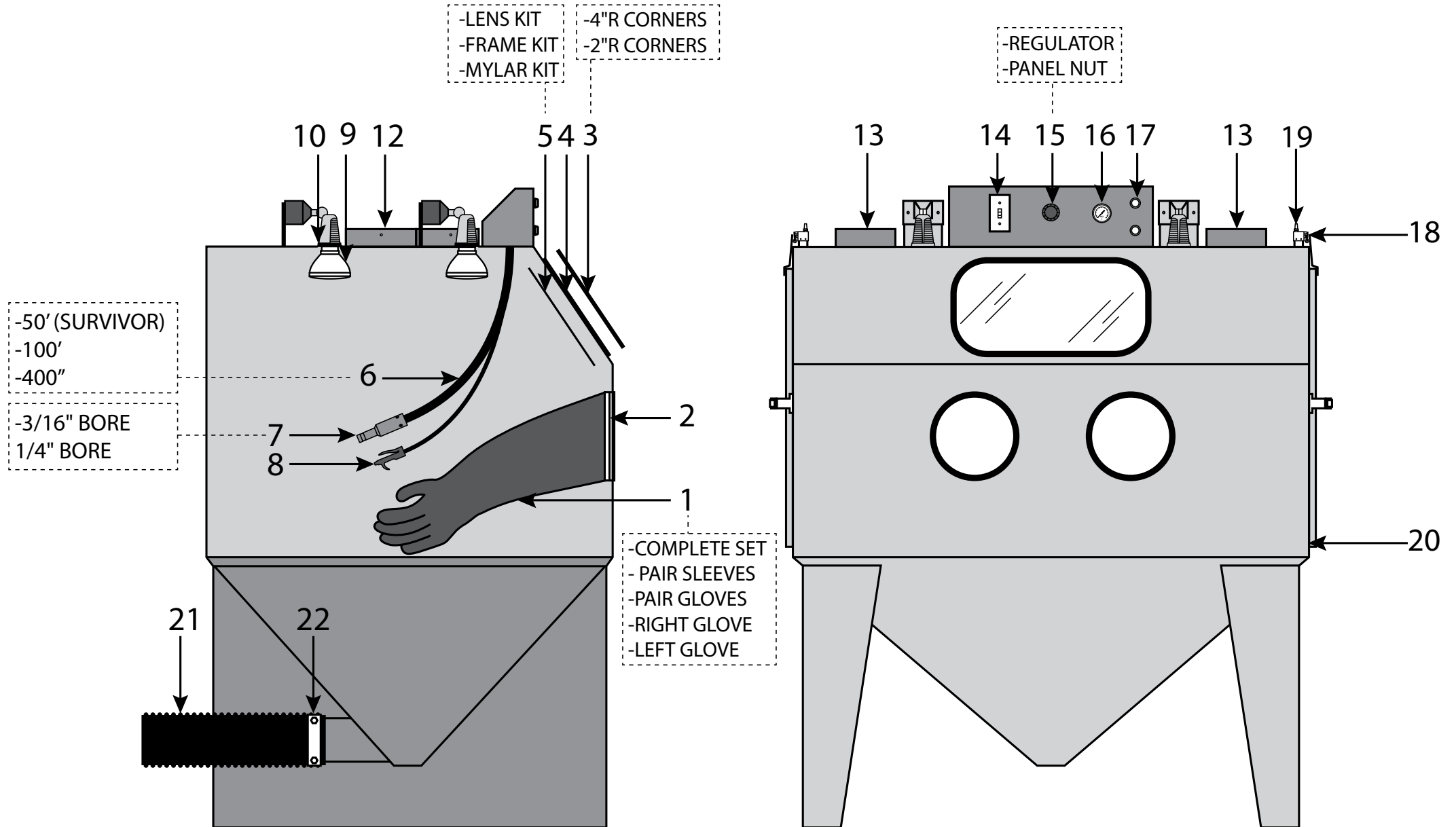


CABINET

P&G STYLE (Pg. 1 of 2, See Next Page For Parts Table)



www.idsblast.com
(317) 545-0665 • (800) 800-0665
2717 Tobey Dr. Indianapolis, IN 46219



CABINET

P&G STYLE (Pg. 2 of 2)

#	DESCRIPTION	PART #
1.1	SNAP GLOVES COMPLETE SET, UP TO 12" DIA x 30", PAIR	7031/TP
1.2	SNAP GLOVE SLEEVES, PAIR	7031/SO
1.3	SNAP GLOVES ONLY, PAIR	7031/GO
1.4	SNAP GLOVE, RIGHT	7031/GORH
1.5	SNAP GLOVE, LEFT	7031/GOLH
2	CLAMP, HOSE 8"	HS128
3.1	CABINET GLASS, 10-1/2" x 22" W/ 4" RADIUS CORNERS	CG07
3.2	CABINET GLASS, 10-1/2" x 22" W/ 2" RADIUS CORNERS	CG06
4	INTERLOCK GASKET 50' ROLL	F111-014
5.1	WINDOW LENS KIT, 8" x 18", 5 PACK, TAPED	TWP07
5.2	WINDOW FRAME KIT, FITS TRINCO AND P&G STYLE BLAST CABINETS, 26"W x 14-1/4"H OUTSIDE DIMENSION OF FRAME, (INCLUDES GLASS)	23-052T
5.3	MYLAR DISPENSER KIT (REQUIRES WINDOW FRAME KIT, PURCHASE MYLAR ROLL SEPARATELY)	011190
6.1	SURVIVOR® HOSE, BLAST, BLACK, NOMINAL 1/2"ID x 1-1/16" OD, 2 PLY, WP 150 PSI, 50' SECTION	SUR121116 B (50)
6.2	HOSE, BLAST, BLACK, NOMINAL 1/2"ID x 1-1/16" OD, 2 PLY, WP 150 PSI, 50' SECTION	1/2 PLIC-SM (50)
6.3	HOSE, BLAST, BLACK, NOMINAL 1/2"ID x 1-1/16" OD, 2 PLY, WP 150 PSI, 100' SECTION	1/2 PLIC-SM (100)
6.4	HOSE, BLAST, BLACK, NOMINAL 1/2"ID x 1-1/16" OD, 2 PLY, WP 150 PSI, 400' SECTION	1/2 PLIC-SM (400)
7.1	NOZZLE, SLIP ON, TUNGSTEN CARBIDE, VENTURI, 3/16" BORE, ALUM JACKET	T101-3

#	DESCRIPTION	PART #
7.2	NOZZLE, SLIP ON, TUNGSTEN CARBIDE, VENTURI, 1/4" BORE, ALUM JACKET	T101-4
8	GUN, DUST OFF, 1/4" NPT	509821
9	LED PAR 38 SPOTLIGHT, 2000 LUMENS/25W @ 120V, 60° BEAM ANGLE, 5600K	DURA-LITE-LED25FL
10	GASKET, SPOTLIGHT, NEOPRENE (2 REQUIRED PER BULB)	4106
12	FILTER, 12" x 12" x 2" HORSE/HOG HAIR, DH60	240-090-03
13	FILTER, 7" x 7" x 2" HORSE/HOG HAIR	240-090-02
14	SWITCH, ON/OFF, 20A	534561
15.1	REGULATOR, 1/4", PANEL MOUNTED	888-2001-001PB
15.2	PANEL MOUNT NUT	888-2001-00198PB
16	GAUGE, AIR 1/8"	550212
17	PUSH-BUTTON AIR VALVE, 3-WAY 1/8" NPT, W/PANEL NUTS AND NYLON ACTUATOR	986-091
18	CAM OPERATOR, DOOR INTERLOCK	620-020-04
19	VALVE, AIR, DOOR INTERLOCK, 3-WAY 1/8" NPT	986024
20	GASKET, SPONGE RUBBER, PRICED PER FOOT, SOLD IN 50' ROLLS ONLY	00187
21	HOSE, CONVEYING, HEAVY DUTY, NOMINAL 6" ID, HG 29, PRICE PER FOOT, SOLD IN 10' INCREMENTS ONLY, SECTION SIZE 100'	6 VH ARVAC
22	CLAMP, SPIRAL, FITS 6" CONVEYING HOSE, HEAVY DUTY	600SCR