


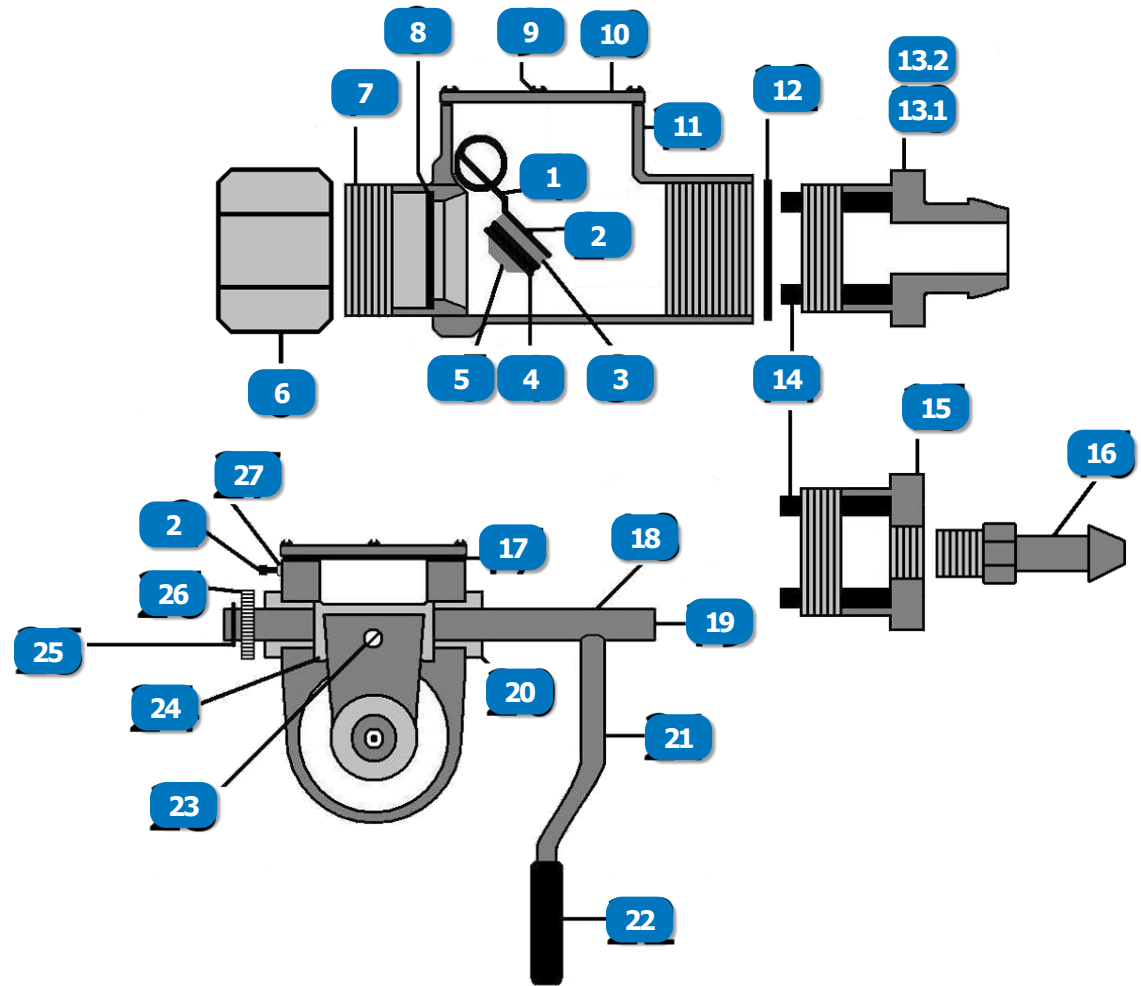


SHUTOFF VALVE

DEADMAN (Pg. 1 of 2)

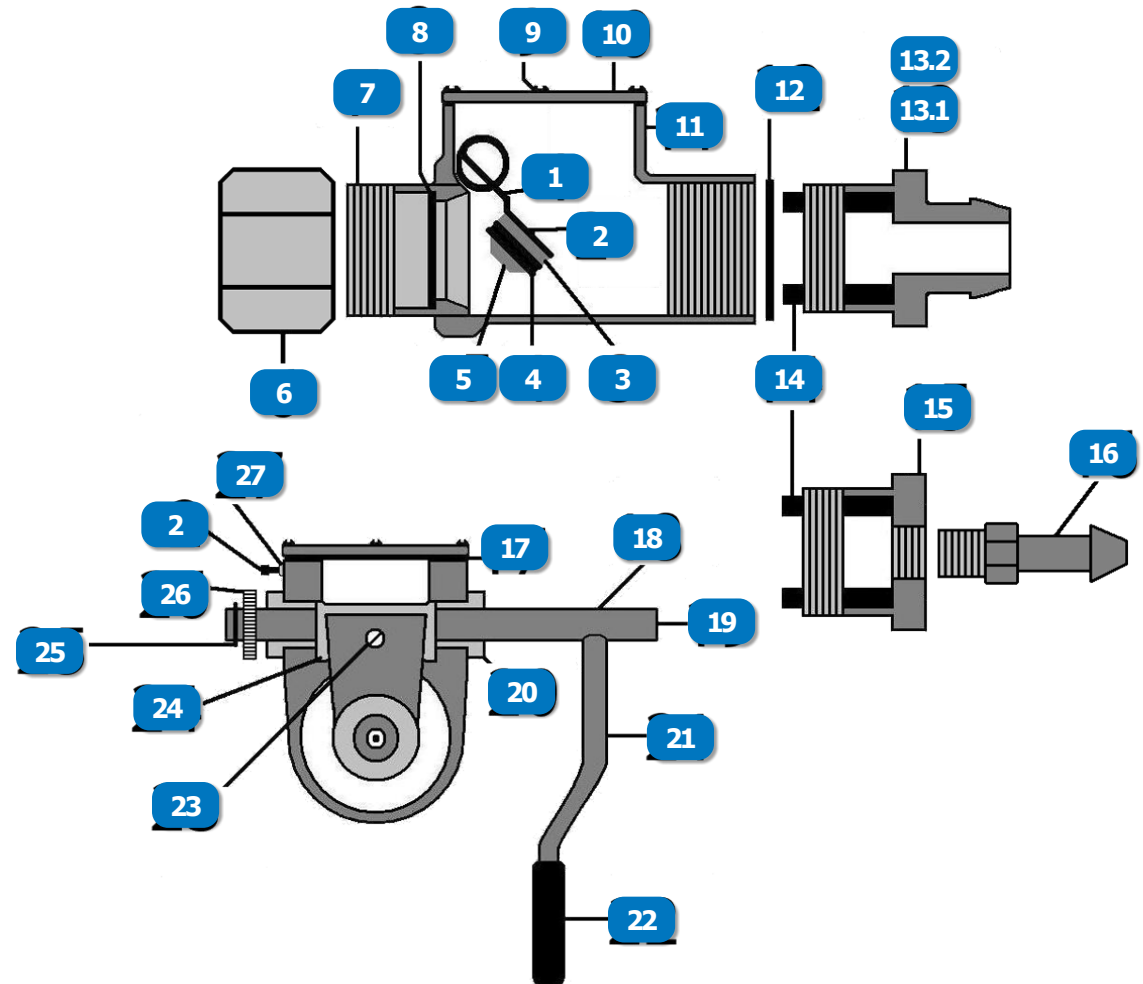
#	DESCRIPTION	PART #
	SHUTOFF VALVE (DOES NOT INCLUDE) #6, 13, 15 & 16	66EVD
	REPAIR KIT INCLUDES #1, 2, 3, (6)4, 5, 8, 12, 14, 17, 23 & 805-034	66EVDK
	STAR WASHER (NOT SHOWN)	805-034
1	SHUTOFF ARM	100-041
2	SOCKET HEAD SCREW	805-533
3	WASHER, STEEL SHUTOFF	66VW
4	WASHER, RUBBER	66RW
5	DISK STEM, SHUT OFF VALVE	66EVST
6	NUT, NOZZLE HOLDING	100-164
7	INSERT, THREADED VALVE	100-134
8	NOZZLE WASHER, TYPE 1	66CHW
9	SOCKET HEAD CAP SCREW	805-531
10	VALVE COVER	100-170
11	VALVE BODY	100-018
12	RUBBER O-RING	66RR
13.1	HOSE END CPLG, 3/4" ID HOSE, INCLUDES O-RING & RUBBER LINER	3-66HE
13.2	HOSE END CPLG, 1" ID HOSE, INCLUDES O-RING & RUBBER LINER	4-66HE
14	RUBBER LINER, 3/4" & 1" HOSE	800-236



www.idsblast.com
 (317) 545-0665 • (800) 800-0665
 2717 Tobey Dr. Indianapolis, IN 46219

SHUTOFF VALVE DEADMAN (Pg. 2 of 2)

#	DESCRIPTION	PART #
15	NOZZLE CPLG BASE, 1/2" NPT	66B
16	HOSE END CPLG, 1/2" ID HOSE	1-74
17	COVER, GASKET	66EVG
18	VALVE SPINDLE	100-070
19	SPINDLE SET SCREW	800-217
20	SPINDLE BUSHING, BRASS	66TB
21	VALVE HANDLE W/GRIP	66VHD
22	HANDLE GRIP	800-338
23	SCREW	800-218
24	SPINDLE O-RING	15-30-O
25	SPINDLE E-CLIP	800-149
26	TORSION SPRING	66VSS
27	SPRING BOLT NUT	804-322



www.idsblast.com
 (317) 545-0665 • (800) 800-0665
 2717 Tobey Dr. Indianapolis, IN 46219