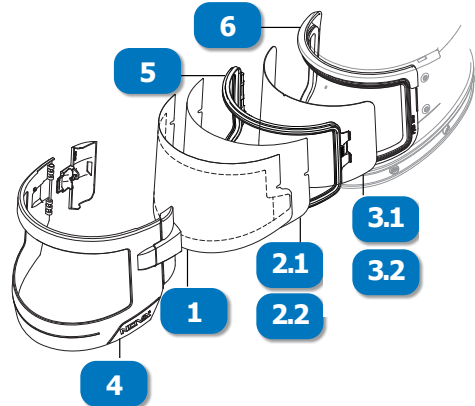


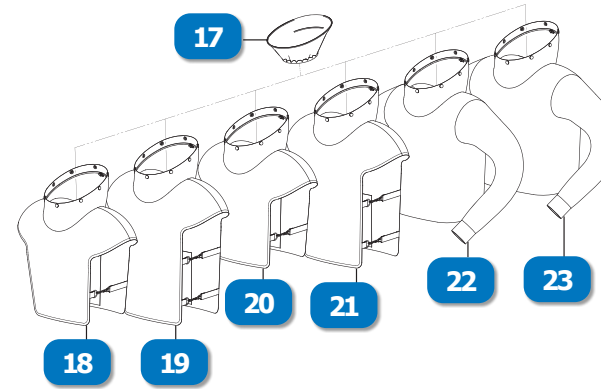
NOVA 3

RPB® (Pg. 1 of 3, See Next Page For Parts Table)

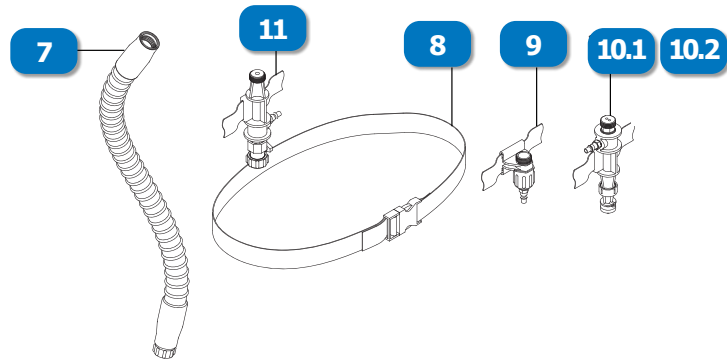
VISOR AND LENSES



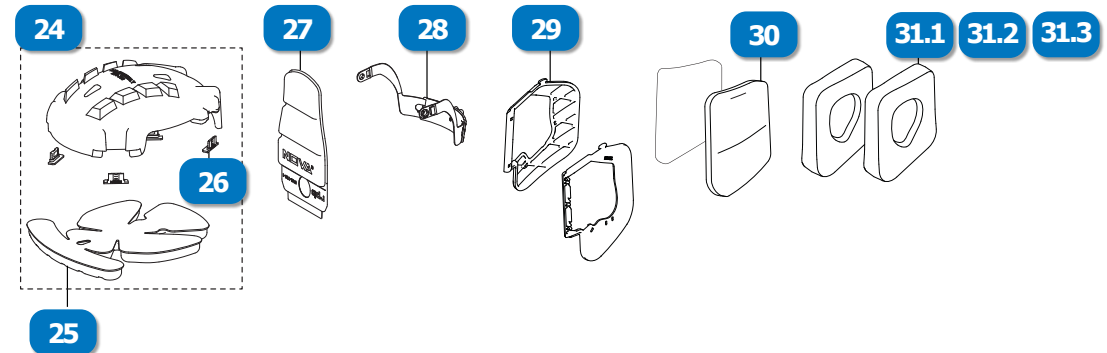
RESPIRATOR CAPES



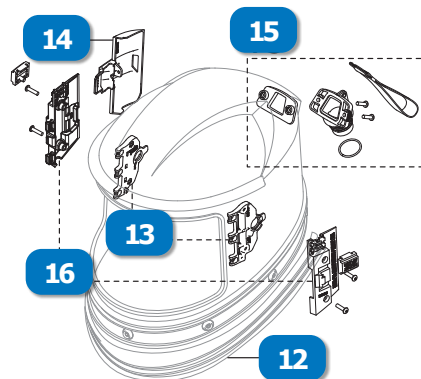
BREATHING TUBE & FLOW CONTROL DEVICE



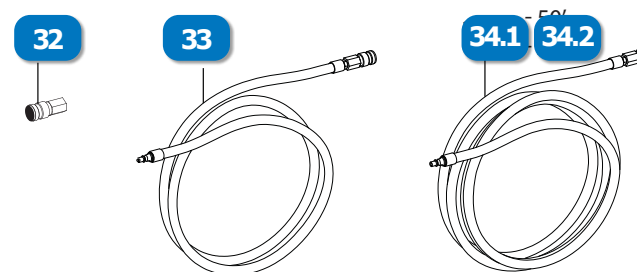
PADDING SYSTEMS



HELMET COMPONENTS



AIR SUPPLY HOSES








www.idsblast.com
(317) 545-0665 • (800) 800-0665
2717 Tobey Dr. Indianapolis, IN 46219

NOVA 3

RPB® (Pg. 2 of 3)

#	DESCRIPTION	PART #
	RESPIRATOR, RPB® NOVA 3®, W/ FLOW CONTROL VALVE, INCLUDES MEDIUM SIDE PADS, (NIOSH APPROVAL NO. TC-19C-456 TYPE CE)	NV3-702-50
	RESPIRATOR, RPB® NOVA 3®, W/ COOL TUBE, INCLUDES MEDIUM SIDE PADS, (NIOSH APPROVAL NO. TC-19C-456 TYPE CE)	NV3-703-50
	RESPIRATOR, RPB® NOVA 3®, W/ HOT TUBE, INCLUDES MEDIUM SIDE PADS, (NIOSH APPROVAL NO. TC-19C-456 TYPE CE)	NV3-704-50
	RESPIRATOR, RPB® NOVA 3®, W/ C40 CLIMATE CONTROL DEVICE, INCLUDES MEDIUM SIDE PADS, (NIOSH APPROVAL NO. TC-19C-456 TYPE CE)	NV3-705-50
	RESPIRATOR, RPB® NOVA 3®, W/ 38" NYLON CAPE & C40 CLIMATE CONTROL DEVICE, INCLUDES MEDIUM SIDE PADS, (NIOSH APPROVAL NO. TC-19C-456 TYPE CE)	NV3-705-51
	RESPIRATOR, RPB® NOVA 3®, W/ XXL BLAST JACKET & C40 CLIMATE CONTROL DEVICE, INCLUDES MEDIUM SIDE PADS, (NIOSH APPROVAL NO. TC-19C-456 TYPE CE)	NV3-705-55
	RESPIRATOR, RPB® NOVA 3®, W/ 38" NYLON CAPE & FLOW CONTROL VALVE, INCLUDES MEDIUM SIDE PADS, (NIOSH APPROVAL NO. TC-19C-456 TYPE CE)	NV3-702-51
	RESPIRATOR, RPB® NOVA 3®, W/ LEATHER CAPE & FLOW CONTROL VALVE, INCLUDES MEDIUM SIDE PADS, (NIOSH APPROVAL NO. TC-19C-456 TYPE CE)	NV3-702-52
	RESPIRATOR, RPB® NOVA 3®, W/ 38" LEATHER CAPE & FLOW CONTROL VALVE, INCLUDES MEDIUM SIDE PADS, (NIOSH APPROVAL NO. TC-19C-456 TYPE CE)	NV3-702-53
	RESPIRATOR, RPB® NOVA 3®, W/ XXL BLAST JACKET & FLOW CONTROL VALVE, INCLUDES MEDIUM SIDE PADS, (NIOSH APPROVAL NO. TC-19C-456 TYPE CE)	NV3-702-55
	RESPIRATOR, RPB® NOVA 3®, W/ XL BLAST JACKET & FLOW CONTROL VALVE, INCLUDES MEDIUM SIDE PADS, (NIOSH APPROVAL NO. TC-19C-456 TYPE CE)	NV3-702-54
	RESPIRATOR, RPB® NOVA 3®, W/ 38" NYLON CAPE & COOL TUBE, INCLUDES MEDIUM SIDE PADS, (NIOSH APPROVAL NO. TC-19C-456 TYPE CE)	NV3-703-51
	RESPIRATOR, RPB® NOVA 3®, W/ LEATHER CAPE & COOL TUBE, INCLUDES MEDIUM SIDE PADS, (NIOSH APPROVAL NO. TC-19C-456 TYPE CE)	NV3-703-52

#	DESCRIPTION	PART #
	RESPIRATOR, RPB® NOVA 3®, W/ 38" LEATHER CAPE & COOL TUBE, INCLUDES MEDIUM SIDE PADS, (NIOSH APPROVAL NO. TC-19C-456 TYPE CE)	NV3-703-53
	RESPIRATOR, RPB® NOVA 3®, W/ XL BLAST JACKET & COOL TUBE, INCLUDES MEDIUM SIDE PADS, (NIOSH APPROVAL NO. TC-19C-456 TYPE CE)	NV3-703-54
	RESPIRATOR, RPB® NOVA 3®, W/ XXL BLAST JACKET & COOL TUBE, INCLUDES MEDIUM SIDE PADS, (NIOSH APPROVAL NO. TC-19C-456 TYPE CE)	NV3-703-55
	RESPIRATOR, RPB® NOVA 3®, W/ 38" NYLON CAPE & HOT TUBE, INCLUDES MEDIUM SIDE PADS, (NIOSH APPROVAL NO. TC-19C-456 TYPE CE)	NV3-704-51
	RESPIRATOR, RPB® NOVA 3®, W/ LEATHER & HOT TUBE, INCLUDES MEDIUM SIDE PADS, (NIOSH APPROVAL NO. TC-19C-456 TYPE CE)	NV3-704-52
	RESPIRATOR, RPB® NOVA 3®, W/ 38" LEATHER & HOT TUBE, INCLUDES MEDIUM SIDE PADS, (NIOSH APPROVAL NO. TC-19C-456 TYPE CE)	NV3-704-53
	RESPIRATOR, RPB® NOVA 3®, W/ XL BLAST JACKET & HOT TUBE, INCLUDES MEDIUM SIDE PADS, (NIOSH APPROVAL NO. TC-19C-456 TYPE CE)	NV3-704-54
	HYGIENE KIT, RPB® NOVA 3®, A10 SIZE (LESS PADDING FOR LARGER HEADS), INCLUDES NEW HEADLINER, NECK PAD, SIDE PADDING, SIDE PADDING COVERS & 2 ALCOHOL PADS TO REFRESH YOUR HELMET	NV3-736-A10
	HYGIENE KIT, RPB® NOVA 3®, A15 SIZE (MEDIUM), INCLUDES NEW HEADLINER, NECK PAD, SIDE PADDING, SIDE PADDING COVERS & 2 ALCOHOL PADS TO REFRESH YOUR HELMET	NV3-736-A15
	HYGIENE KIT, RPB® NOVA 3®, A20 SIZE (MORE PADDING FOR SMALLER HEADS), INCLUDES NEW HEADLINER, NECK PAD, SIDE PADDING, SIDE PADDING COVERS & 2 ALCOHOL PADS TO REFRESH YOUR HELMET	NV3-736-A20
	DO-RAG	05-613
1	RPB® NOVA 3®, TEAR OFF LENS (PACK OF 50)	NV3-725
2.1	RPB® NOVA 3®, OUTER LENS (PACK OF 50)	NV3-724
2.2	RPB® NOVA 3® LENS CASSETTE OF 5 TEAR OFF LENSES AND 1 OUTER LENS (PACK OF 20)	NV3-745

NOVA 3

RPB® (Pg. 3 of 3)

#	DESCRIPTION	PART #
3.1	RPB® NOVA 3®, INNER LENS (PACK OF 10) (ANSI Z87.1-2010)	NV3-722
3.2	RPB® NOVA 3®, INNER LENS, TINTED (PACK OF 10) (ANSI Z87.1-2010)	NV3-722-T
4	RPB® NOVA 3®, VISOR KIT (INCLUDES HINGE & LATCH)	NV3-726
5	RPB® NOVA 3®, INNER LENS FRAME	NV3-723
6	RPB® NOVA 3®, INNER GASKET	NV3-721
7	RPB® NOVA 3®, BREATHING TUBE	NV3-2021B
8	BELT W/BUCKLE	NV-2022
9	FLOW CONTROL VALVE ASSEMBLY W/BELT	NV-2016
10.1	RPB® C40 RESPIRATOR CLIMATE CONTROL DEVICE, COOLING/HEATING, ADJUSTABLE, W/BSP THREAD & BELT	03-501
10.2	COOL TUBE W/BSP THREAD & BELT	NV-4000-01
11	HOT TUBE W/BSP THREAD & BELT	NV-4000-20
12	RPB® NOVA 3®, CAPE COVER BAND	NV3-759
13	RPB® NOVA 3®, PADDING CONNECTORS (PAIR)	NV3-730
14	RPB® NOVA 3®, HINGE MOUNT KIT	NV3-727-2
15	RPB® NOVA 3®, AIR INLET KIT	NV3-729
16	RPB® NOVA 3®, MOUNT KIT	NV3-727/8
17	INNER BIB	NV-2012
18	RPB® NOVA 3®, CAPE, 28" NYLON, GREEN	NV3-750

#	DESCRIPTION	PART #
19	RPB® NOVA 3®, CAPE, 38" NYLON, GREEN	NV3-751
20	RPB® NOVA 3®, CAPE, 28" LEATHER, GREEN	NV3-752
21	RPB® NOVA 3®, CAPE, 38" LEATHER, GREEN, HEAVY DUTY	NV3-753
22	RPB® NOVA 3®, BLAST JACKET, SIZE XL	NV3-754
23	RPB® NOVA 3®, BLAST JACKET, SIZE XXL	NV3-755
24	RPB® NOVA 3®, HEAD LINER KIT (INCLUDES PAD AND CLIPS)	NV3-734
25	RPB® NOVA 3®, HEADLINER FOAM PADDING	NV3-735
26	RPB® NOVA 3®, HEADLINER CLIPS (PACK OF 4)	NV3-734-1
27	RPB® NOVA 3®, NECK PAD	NV3-735-1
28	RPB® NOVA 3®, ADJUSTABLE HEAD SUPPORT W/ RATCHET	NV3-07-900
29	RPB® NOVA 3®, SIDE PADDING FRAMES (PAIR)	NV3-731
30	RPB® NOVA 3®, SIDE PADDING COVERS (5 PAIRS)	NV3-733
31.1	RPB® NOVA 3®, SIDE PADDING FOAM, SIZE A-10, LESS PADDING FOR LARGER HEADS	NV3-732-A10
31.2	RPB® NOVA 3®, SIDE PADDING FOAM, SIZE A-15 MEDIUM	NV3-732-A15
31.3	RPB® NOVA 3®, SIDE PADDING FOAM, SIZE A-20, MORE PADDING FOR SMALLER HEADS	NV3-732-A20
32	RPB® 1/4" QUICK RELEASE COUPLER, 1/4" NPT FEMALE THREAD	NV-2025
33	RPB® 25' BREATHING AIR SUPPLY HOSE, 3/8" ID, 1/4" QUICK RELEASE FITTINGS	NV-2028
34.1	RPB® 50' BREATHING AIR SUPPLY HOSE, 3/8" ID, 1/4" QUICK RELEASE FITTINGS	NV-2029
34.2	RPB® 100' BREATHING AIR SUPPLY HOSE, 3/8" ID, 1/4" QUICK RELEASE FITTINGS	NV-2027