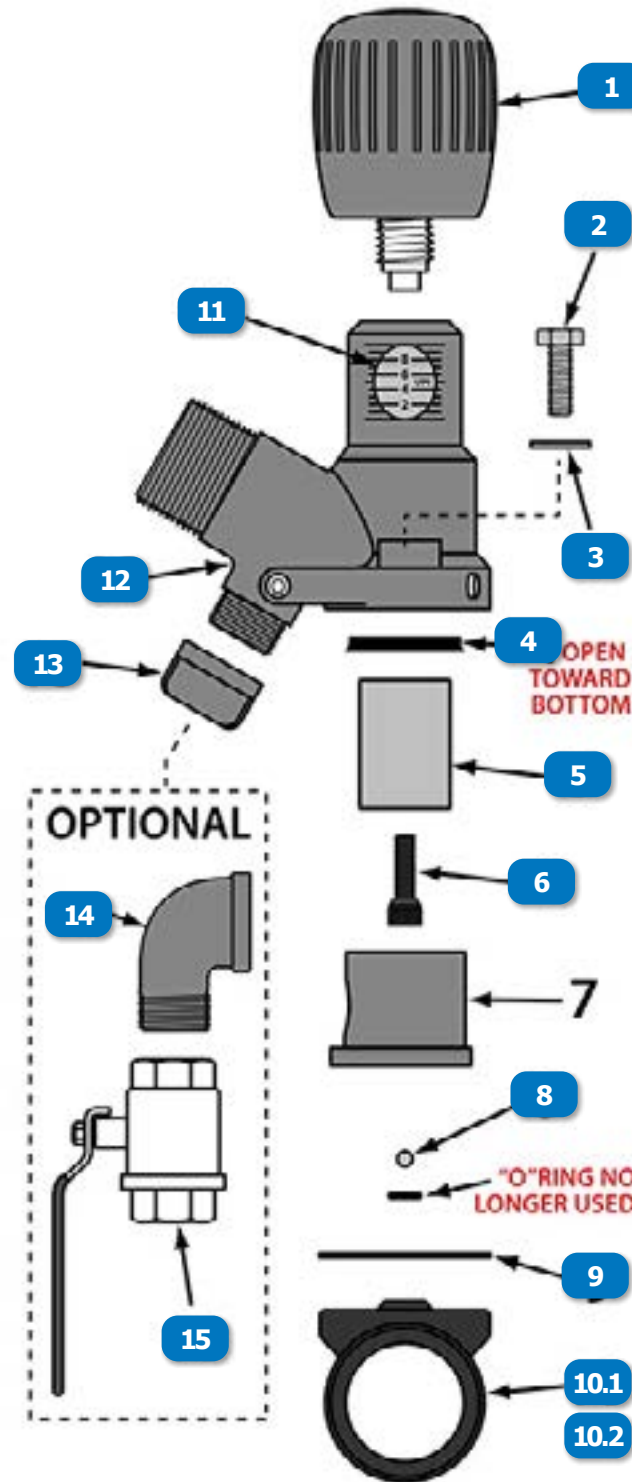


MV2 MICRO VALVE™ 2

#	DESCRIPTION	PART #
	MV2®, COMPLETE VALVE, 1-1/4" (Original Equipment Mfg)	2127-107 OEM
	MV2®, COMPLETE VALVE, 1-1/2" (Original Equipment Mfg)	2127-108 OEM
	MV2®, REPLACEMENT KIT, INCLUDES #4, 5, 6, 7, 8 & 9	2127-100-99 OEM
	MV2®, REPLACEMENT KIT (SEALS ONLY) INCLUDES #4, 7, 8 & 9	2127-100-98 OEM
1	MV2®/MV3™, KNOB (Original Equipment Mfg)	2128-000-01 OEM
2	MV2®/MV3™ HEX BOLT, 3/8" x 1" LG (Original Equipment Mfg)	7010-507-06 OEM
3	FLAT WASHER 3/8" SAE (10 PACK)	888-7027-50302PB
4	APV, PLUNGER SEAL W/ O-RING, BIG-BORE™	888-2149-50006PB
5	MV2®/MV3™, PLUNGER (Original Equipment Mfg)	2127-000-05 OEM
6	MV2®/MV3™ SOCKET HEAD CAP SCREW, 5/16" x 1" LG (Original Equipment Mfg)	7011-005-06O OEM
8	MV2®, BALL (Original Equipment Mfg)	2127-000-12 OEM
9	MV2®, GASKET (4 PACK) (Original Equipment Mfg)	2127-000-15 OEM
10.1	MV2®, BASE NIPPLE, 1-1/4" (Original Equipment Mfg)	2127-007-10 OEM
10.2	MV2®, BASE NIPPLE, 1-1/2" (Original Equipment Mfg)	2127-008-10 OEM
11	MV2®/MV3™, ORIFICE INDICATOR DECAL (Original Equipment Mfg)	2128-000-13
12	MV2®, BODY ASSEMBLY (Original Equipment Mfg)	2127-000-06 OEM
13	PIPE CAP, GALV, 3/4"	888-3037-105PB
14	ELBOW, STREET, 90*, GALV, 3/4"	888-3006-105PB
15	BALL VALVE, FULL PORT, 3/4" NPT, CHROME PLATED BRASS W/ NYLOCK HANDLE NUT	VB075



www.idsblast.com
 (317) 545-0665 - (800) 800-0665
 2717 Tobey Dr. Indianapolis, IN 46219