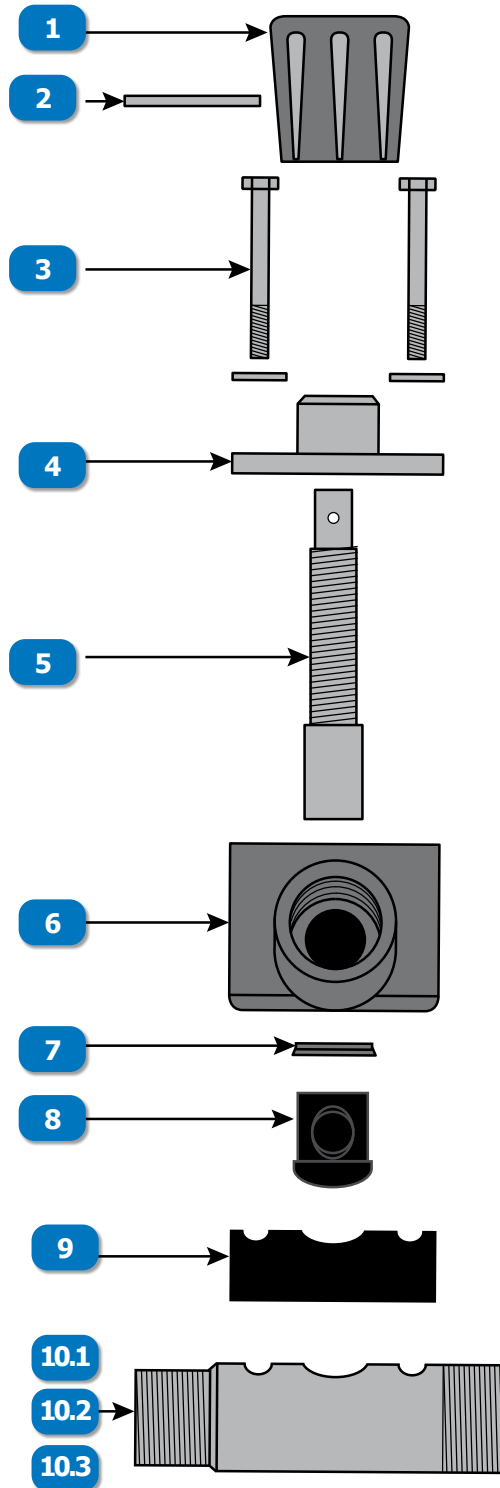


MPV

METERING VALVE

#	DESCRIPTION	PART #
	MPV ABRASIVE METERING VALVE, 1", URETHANE SLEEVE, 1-1/4" NPT BLAST POT CONNECTION, 1" FEMALE NPT x 1-1/2"	888-2125-106PB
	MPV ABRASIVE METERING VALVE, 1-1/4", URETHANE SLEEVE, 1-1/4" NPT BLAST POT CONNECTION, 1-1/4" MALE NPT x 1-1/2"	888-2125-107PB
	MPV ABRASIVE METERING VALVE, 1-1/2", URETHANE SLEEVE, 1-1/4" NPT BLAST POT CONNECTION, 1-1/2" MALE NPT x 1-1/2"	888-2125-108PB
	MPV, REPAIR KIT W/URETHANE SLEEVE, INCLUDES #2, 5, 7, 8 & 9	888-2125-10099PB
	MPV, SEAL KIT, W/URETHANE SLEEVE, INCLUDES #7, 8 & 9	888-2125-10098PB
1	MV3™, KNOB DECAL (Original Equipment Mfg)	888-2125-00001PB
2	MV2®/MV3™ HEX BOLT, 3/8" x 1" LG (Original Equipment Mfg)	888-2125-00004PB
3	FLAT WASHER 3/8" SAE (10 PACK)	888-7010-50556PB
4	APV, PLUNGER SEAL W/ O-RING, BIG-BORE™	888-2125-00002PB
5	MV2®/MV3™, PLUNGER (Original Equipment Mfg)	888-2125-00005PB
6	MV2®/MV3™ SOCKET HEAD CAP SCREW, 5/16" x 1" LG (Original Equipment Mfg)	888-2125-00006PB
7	MV3™, GASKET (4 PACK) (Original Equipment Mfg)	888-2148-00006PB
8	MV3™, BASE, 1-1/4" (1-1/4" MALE x 1-1/2" MALE) (Original Equipment Mfg)	888-2125-10008PB
9	MV3™, BASE, 1-1/2" (1-1/2" MALE x 1-1/2" MALE) (Original Equipment Mfg)	888-2125-00009PB
10.1	HEX HEAD CAP SCREW, 1/4" x 1/2" LONG	888-2125-00610PB
10.2	MV3™, CLEANOUT PLUG (Original Equipment Mfg)	888-2125-00710PB
10.3	MV3™, BODY (Original Equipment Mfg)	888-2125-00810PB



www.idsblast.com
 (317) 545-0665 • (800) 800-0665
 2717 Tobey Dr. Indianapolis, IN 46219