

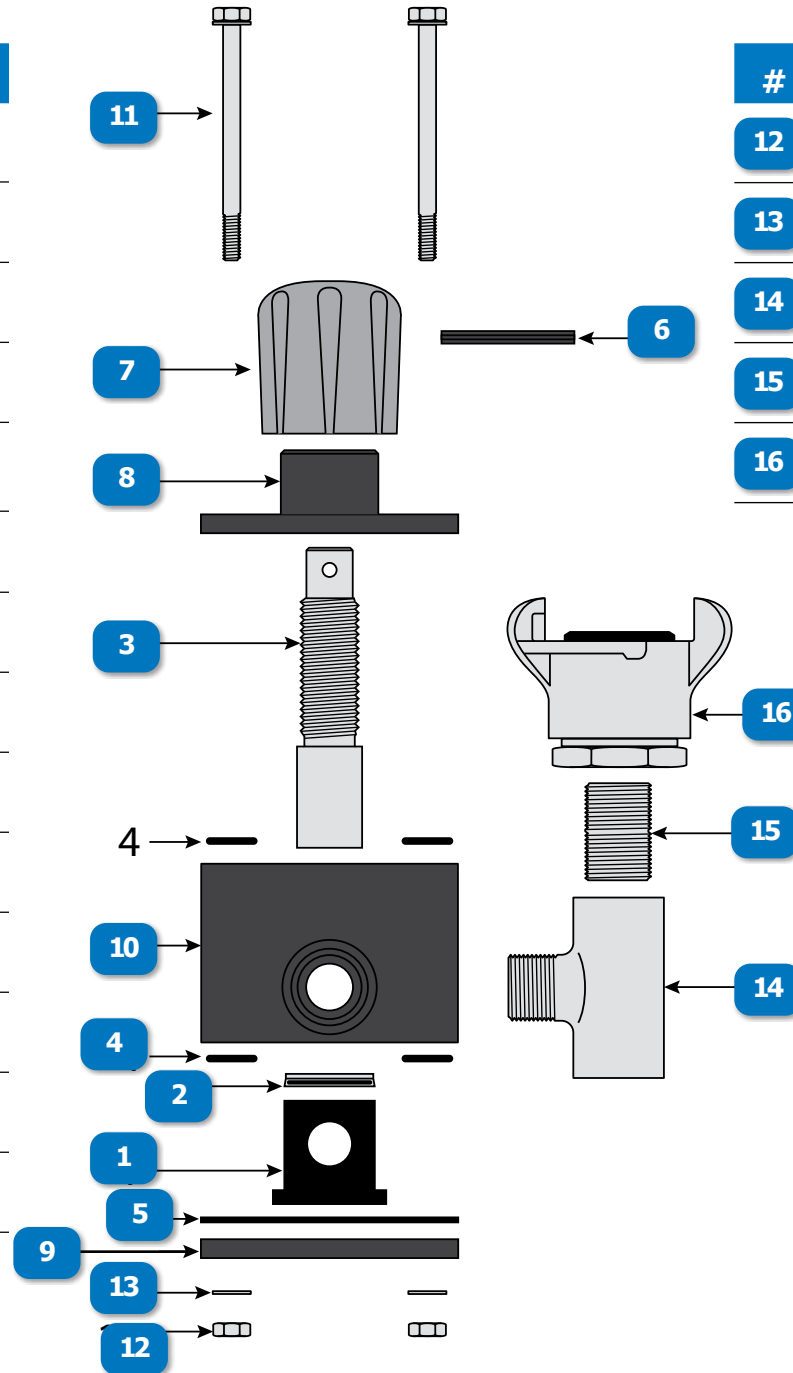


# MPV MINI Metering Valve

#	DESCRIPTION	PART #
	MPV MINI, 3/4" NPT W/ URETHANE SLEEVE (TEE NOT INCLUDED)	888-2124-105PB
	MPV MINI UPGRADE, C-SERIES 0.5/1.0 CU FT ABRASIVE BLAST MACHINES (CUSTOMER INSTALLED)	888-2124-00512PB-CI
	MPV MINI, REPAIR KIT W/URETHANE SLEEVE, INCLUDES # 1, 2, 3, (4)4, 5 & 6	888-2124-10099PB
<b>1</b>	MPV MINI, SLEEVE, URETHANE	888-2124-10008PB
<b>2</b>	APV, APV II, MPV, MPV II & MPV MINI, PLUNGER SEAL W/ "O"-RING (CLEAR URETHANE)	888-2148-00006PB
<b>3</b>	MPV, MPV II & MPV MINI, PLUNGER	888-2125-00005PB
<b>4</b>	MPV MINI, O-RING (4 REQUIRED)	888-2124-00018PB
<b>5</b>	MPV MINI, CAP GASKET	888-2124-00009PB
<b>6</b>	MPV, MPV II & MPV MINI, ROLL PIN	888-2125-00004PB
<b>7</b>	MPV & MPV MINI, KNOB	888-2125-00001PB
<b>8</b>	MPV & MPV MINI, CAP	888-2125-00002PB
<b>9</b>	MPV MINI, BOTTOM CAP	888-2124-00011PB
<b>10</b>	MPV MINI, BODY	888-2124-00006PB
<b>11</b>	MPV MINI, BOLT W/WASHER	888-7010-50575PB



#	DESCRIPTION	PART #
<b>12</b>	HEX NUT, 5/16" UNC	888-7017-505PB
<b>13</b>	FLAT WASHER, 1/4" SAE	888-7027-50202PB
<b>14</b>	WELDED TEE NIPPLE, 3/4" NPT	888-2124-00510PB
<b>15</b>	NIPPLE, TBE, SCHEDULE 80, GALV, 3/4" x CLOSED	888-3028-10599PB
<b>16</b>	COUPLING, 3/4" NPT ALUMINUM	888-2124-00515PB