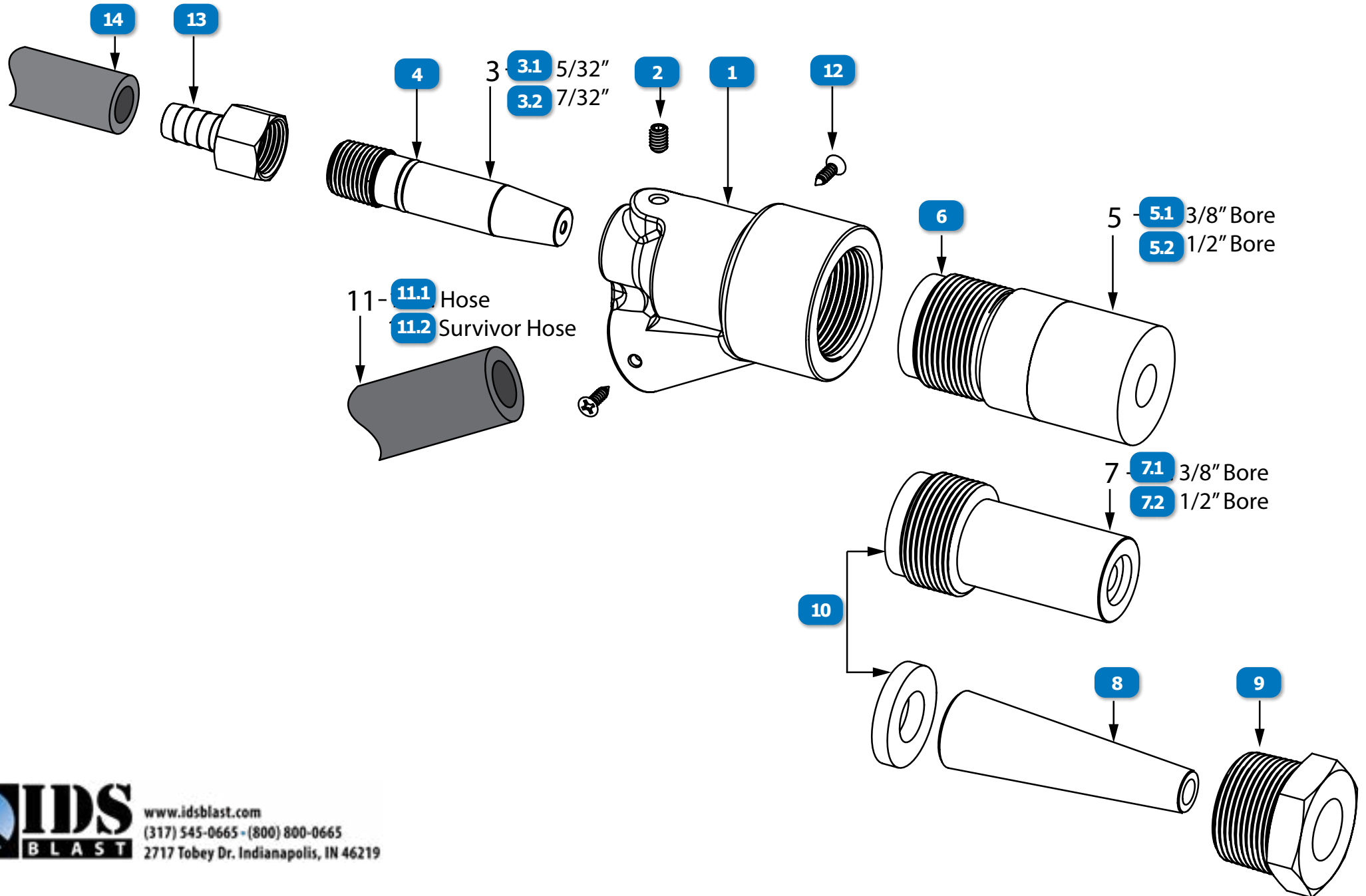


# SUCTION GUN





MH1 STYLE (Pg. 1 of 2, See Next Page For Parts Table)



www.idsblast.com  
(317) 545-0665 - (800) 800-0665  
2717 Tobey Dr. Indianapolis, IN 46219

# SUCTION GUN

## MH1 STYLE (Pg. 2 of 2)

#	DESCRIPTION	PART #
	GUN, AUTOMATIC SUCTION, 1/4" TUNGSTEN NOZZLE, W 1/8" AIR JET	507643
	GUN, AUTOMATIC SUCTION, 5/16" TUNGSTEN NOZZLE, W 5/32" AIR JET	507653
	GUN, AUTOMATIC SUCTION, 7/16" TUNGSTEN NOZZLE, W 7/32" AIR JET	507663
	GUN, AUTOMATIC SUCTION, 1/4" BORON NOZZLE, W 1/8" AIR JET	507673
<b>1</b>	GUN BODY, #1, INCLUDES SET SCREW	751271
<b>2</b>	SET SCREW, 1/4-20 x 3/8" SOCKET, CUP POINT SHORT	551052
<b>3.1</b>	AIR JET, 5/32", W/O-RING, (GREEN)	504831
<b>3.2</b>	AIR JET, 7/32", W/O-RING, (WHITE)	504841
<b>4</b>	O-RING, 5/8" ID	844-670
<b>5.1</b>	NOZZLE, TUNGSTEN CARBIDE, SHORT STRAIGHT BORE, 3/8" BORE, 1" ENTRY, 1-1/4" BRASS THREAD, POLY JACKET	T122-6P
<b>5.2</b>	NOZZLE, TUNGSTEN CARBIDE, SHORT STRAIGHT BORE, 1/2" BORE, 1" ENTRY, 1-1/4" BRASS THREAD, POLY JACKET	T122-8P
<b>6</b>	WASHER, NOZZLE, 1" ENTRY x 1-1/4" NPSM, 10 PACK	190-0400
<b>7.1</b>	NOZZLE, BORON CARBIDE, 3/8" STRAIGHT BORE, 3/4" ENTRY, 1-1/4" NPSM THREAD, 3-1/4" LENGTH, STEEL JACKET	502-172
<b>7.2</b>	NOZZLE, BORON CARBIDE, STRAIGHT BORE, 1/2" BORE, 3/4" ENTRY, 1-1/4" NPSM THREAD, 3-1/4" LENGTH, STEEL JACKET	502-192
<b>8</b>	NOZZLE, CERAMIC, LONG TAPERED CONE, STRAIGHT BORE, 3/8" BORE, 3-3/4" LENGTH	C1-6

#	DESCRIPTION	PART #
<b>9</b>	NOZZLE HOLDER, CERAMIC 1-1/4"	888-4234-007PB
<b>10</b>	NOZZLE WASHER, 3/4" ID, 10 PACK	524082
<b>11.1</b>	SURVIVOR® HOSE, SUCTION, BLACK, NOMINAL 5/8" ID x 1-1/16" OD, 2 PLY, WP 150 PSI, PRICE PER FOOT, SOLD IN 10' INCREMENTS, REEL SIZE 400'	SUR581116 B
<b>11.2</b>	HOSE, SUCTION, BLACK, NOMINAL 5/8" ID x 1-1/16" OD, 2 PLY, WP 150 PSI, PRICE PER FOOT, SOLD IN 10' INCREMENTS ONLY, REEL SIZE 400'	520802
<b>12</b>	SCREWS 4 PCS, #8 x 5/8" LONG	554232
<b>13</b>	FITTING, 1/2" HOSE x 1/2", BRASS	520402
<b>14</b>	HOSE, AIR, RED, NOMINAL 1/2" ID x 55/64" OD, WP 200 PSI, PRICE PER FOOT, SOLD IN 10' INCREMENTS ONLY, REEL SIZE 500'	112-4580



www.idsblast.com  
 (317) 545-0665 - (800) 800-0665  
 2717 Tobey Dr. Indianapolis, IN 46219