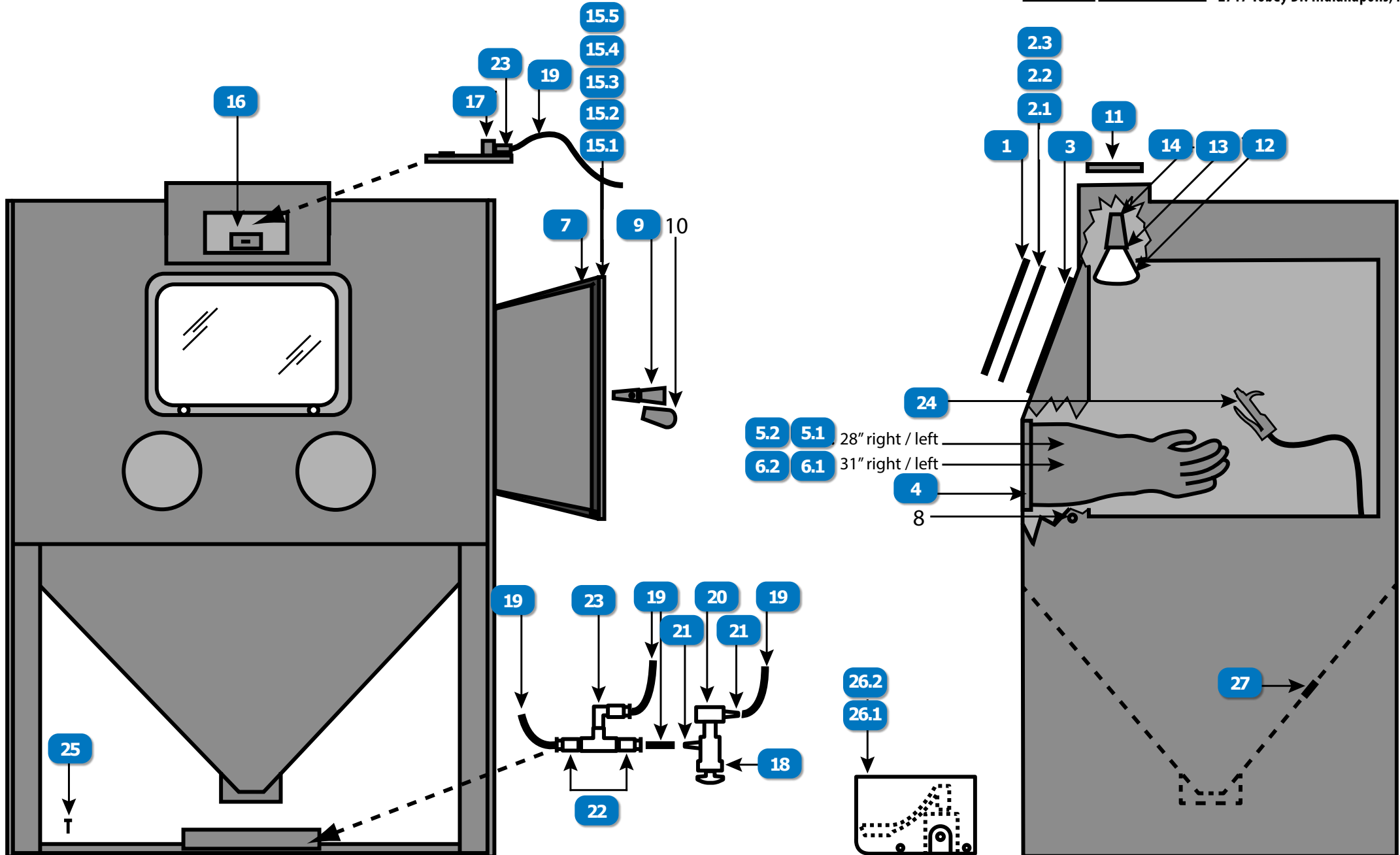


CABINET

EMPIRE STYLE (Pg. 1 of 2, SEE NEXT PAGE FOR PARTS TABLE)



www.idsblast.com
(317) 545-0665 • (800) 800-0665
2717 Tobey Dr. Indianapolis, IN 46219



CABINET

EMPIRE STYLE (Pg. 2 of 2)

#	DESCRIPTION	PART #
1	GLASS, WINDOW, 14" x 22", LAMINATED	CG01
2.1	UNDERLAYMENT, 14" x 22", EACH	509191
2.2	WINDOW FRAME KIT, OFFSET TYPE, FITS EMPIRE STYLE BLAST CABINETS, 24-1/4"W x 16"H OUTSIDE DIMENSION OF FRAME, (INCLUDES GLASS)	23-052
2.3	MYLAR DISPENSER KIT (REQUIRES WINDOW FRAME KIT, PURCHASE MYLAR ROLL SEPARATELY)	011190
3	GASKET, WINDOW, 14" x 22" (80")	524451
4	CLAMP, HOSE 8"	HS128
5.1	GLOVE, W/GAUNTLET, 28", NATURAL RUBBER HAND, LH	509-855L
5.2	GLOVE, W/GAUNTLET, 28", NATURAL RUBBER HAND, RH	509-855R
6.1	GLOVE, W/GAUNTLET, 31", LH	509-891L
6.2	GLOVE, W/GAUNTLET, 31", RH	509-891R
7	BUMPER, RUBBER	525041
9	HANDLE, DOOR WITH HANDLE	760361
11	FILTER, FIBERGLASS (5" x 6")	510491
12	LED PAR 38 SPOTLIGHT, 2000 LUMENS/25W @ 120V, 60° BEAM ANGLE, 5600K	DURA-LITE-LED25FL
13	GASKET, SPOTLIGHT, NEOPRENE (2 REQUIRED PER BULB)	4106
14	FIXTURE, LIGHT	532711
15.1	GASKET, DOOR, 2636 (7'2")	525671

#	DESCRIPTION	PART #
15.2	GASKET, DOOR, 3648 & 3696 (10'4")	525681
15.3	GASKET, DOOR, 4848 (12',7")	525691
15.4	GASKET, DOOR, 6060 & 60120 (15',0")	525701
15.5	GASKET, DOOR, 3/4" x 3/4" (30 FEET ONLY)	524441
16	SWITCH, ON/OFF, 20A	534561
17	VALVE, SOLENOID, 3-WAY, N.C., 3/64"	519001
18	VALVE, PUSH BUTTON, 3 WAY	517221
19	TUBING, BLACK, POLYETHYLENE, 1/4" (PER FT), SOLD IN 10' INCREMENTS ONLY	510541
20	ELBOW, BRASS, #10-32	521911
21	CONNECTOR, BRASS 1/8" TUBE x 10-32	521101
22	ADAPTOR, 1/4" TUBE x 1/8" MPT, 90*	520432
23	ADAPTOR, 1/4" TUBE x 1/8" MPT	520252
24	GUN, DUST OFF, 1/4" NPT	509821
25	BOLT, LEVELING 3/8"-16 x 2"	551742
26.1	FOOT TREADLE, ASSY	140579
26.2	PILOT VALVE, 3-WAY, PUSH BUTTON (NORMALLY CLOSED)	518661
27	GROMMET, FITS ABRASIVE HOSE (NOT FOR USE WITH AIR HOSE)	523931