



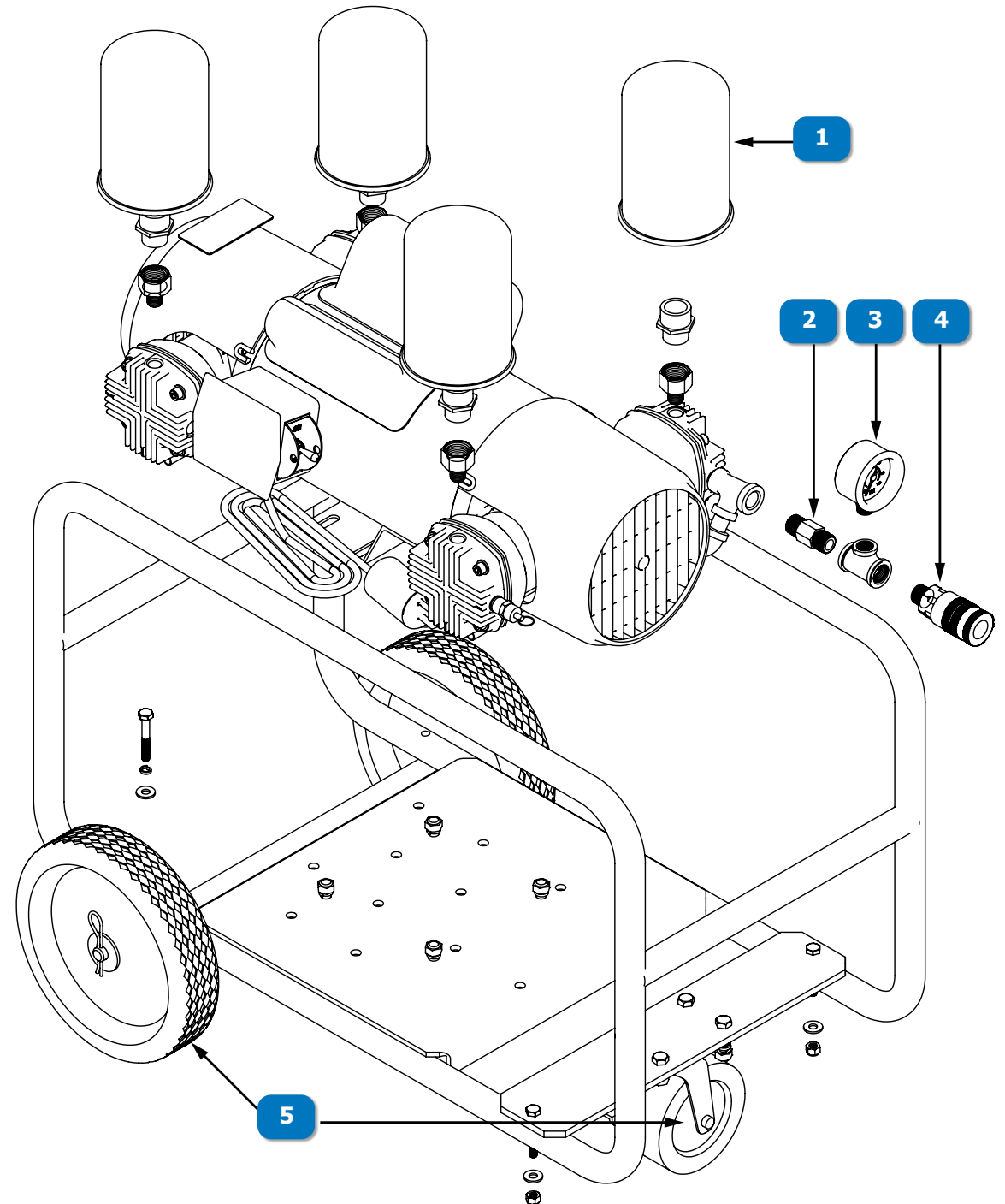


# ELECTRIC FREE-AIR® PUMP

## BULLARD ICE PUMP - 8 CFM

#	DESCRIPTION	PART #
	BULLARD ICE PUMP, ELECTRIC-DRIVEN FREE AIR PUMP, 11 CFM, 2HP PISTON DRIVEN	ICEPUMP11
	BULLARD ICE PUMP, SERVICE KIT (INCLUDES GASKET HEADS, RINGS & SPACERS)	ICESK11
	BULLARD, FREE AIR PUMP AIR HOSE REMOTE INLET AIR HOSE KIT 50' (1 NEEDED PER INLET)	V50IN
	BULLARD, FREE AIR PUMP REMOTE INLET AIR HOSE KIT EXTENSION 50'	V50EX
<b>1</b>	APV II, KNOB (BLACK PIRATE BRAND)	888-2148-00001PB
<b>2</b>	VENT, 1/8"	888-2014-300PB
<b>3</b>	APV & APV II, CAP ASSEMBLY	888-2148-00002PB
<b>4</b>	APV & APV II, BUMP RING	888-2149-00019PB
<b>5</b>	APV & APV II, SPRING	888-2149-00003PB



www.idsblast.com  
 (317) 545-0665 • (800) 800-0665  
 2717 Tobey Dr. Indianapolis, IN 46219