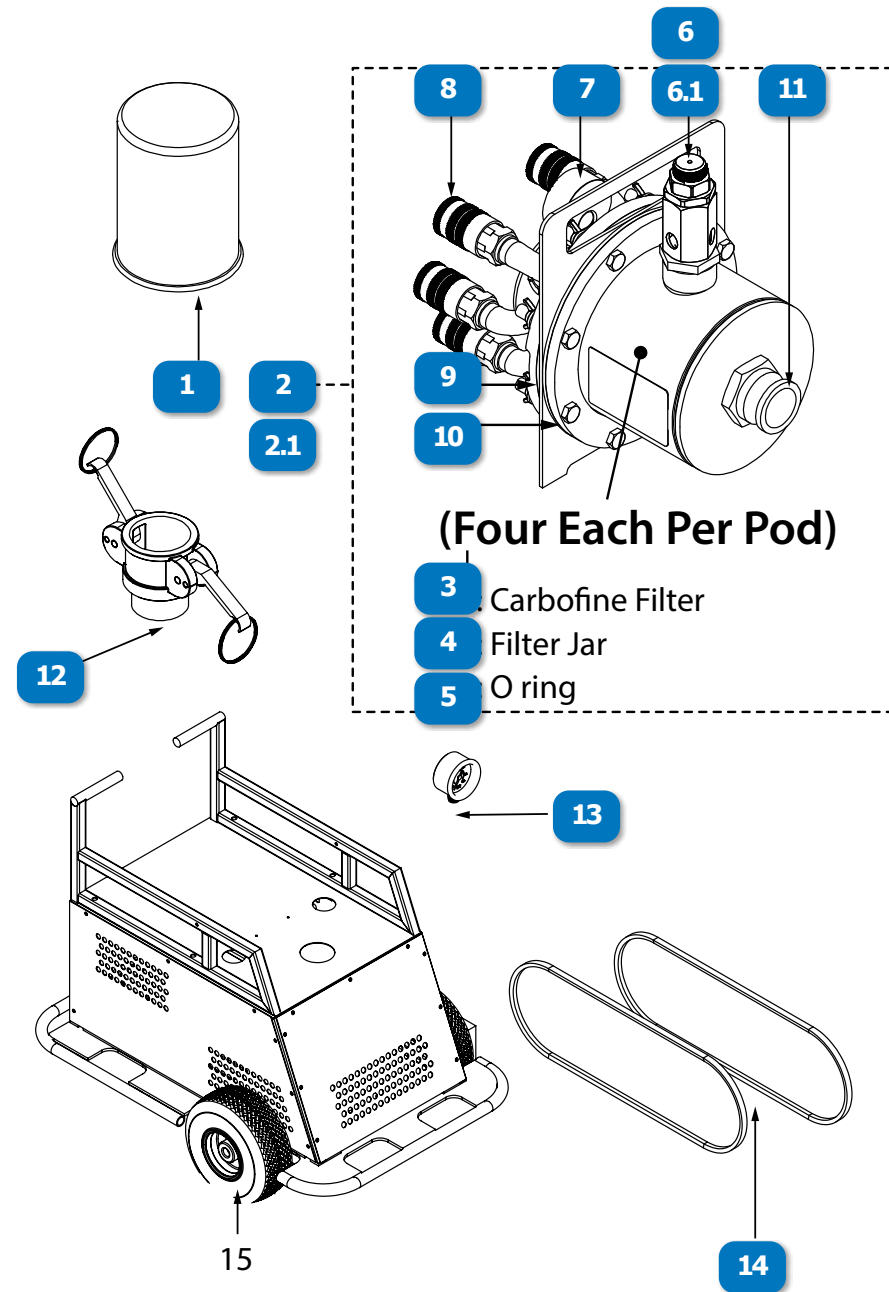


ELECTRIC DRIVEN FREE AIR PUMP

BULLARD 30/50 CFM

#	DESCRIPTION	PART #
	BULLARD, FREE AIR PUMP QUICK-DISCONNECT COUPLER 1/2" INDUSTRIAL INTERCHANGE SPLITTER	V24
	BULLARD, FREE AIR PUMP QUICK-DISCONNECT COUPLER ADAPTOR, 1/2" INDUSTRIAL INTERCHANGE, (2) 3/8" FEMALE NPT	V22
	BULLARD, FREE AIR PUMP QUICK-DISCONNECT COUPLER ADAPTOR, 1/2" INDUSTRIAL INTERCHANGE, 3/8" FEMALE NPT	V23
1	BULLARD, FREE AIR PUMP INLET FILTER (CHANGE EVERY 500 HOURS OR AS NEEDED)	23611
2	BULLARD EDP30, FREE AIR PUMP POD ASSEMBLY	26781
2.1	BULLARD EDP50, FREE AIR PUMP POD ASSEMBLY	26782
3	BULLARD, FREE AIR PUMP OUTLET FILTER, CARBOFINE (CHANGE EVERY 200 HOURS OR AS REQUIRED)	S17101
4	BULLARD, FREE AIR PUMP OUTLET FILTER JAR	244852
5	BULLARD, FREE AIR PUMP OUTLET FILTER ASSEMBLY O-RING	263552
6	BULLARD EDP30, FREE AIR PUMP PRESSURE RELIEF VALVE	28151
6.1	BULLARD EDP50, FREE AIR PUMP PRESSURE RELIEF VALVE	28152
7	BULLARD FREE AIR PUMP PRESSURE GAUGE, 0-30 PSI	S19683
8	BULLARD, FREE AIR PUMP 1/2" INDUSTRIAL INTERCHANGE QUICK-DISCONNECT COUPLER, 3/8" NPT THREAD, SHUT-OFF (RED BAND)	S16191
9	BULLARD EDP30/EDP50, FREE AIR PUMP POD GASKET COVER SIDE	27161
10	BULLARD EDP30/EDP50, FREE AIR PUMP POD GASKET FILTER SIDE	26701
11	BULLARD, FREE AIR PUMP KAMLOCK POD ADAPTOR, 1-1/4" ID, ALUMINUM	S2089
12	BULLARD, FREE AIR PUMP KAMLOCK MANIFOLD COUPLER, 1-1/4" ID, ALUMINUM	S2090
13	BULLARD EDP30/EDP50, FREE AIR PUMP MANIFOLD PRESSURE GAUGE, 0-60 PSI	S19688
14	BULLARD EDP30, FREE AIR PUMP DRIVE BELT (MATCHED PAIR)	S2084



www.idsblast.com
 (317) 545-0665 - (800) 800-0665
 2717 Tobey Dr. Indianapolis, IN 46219