

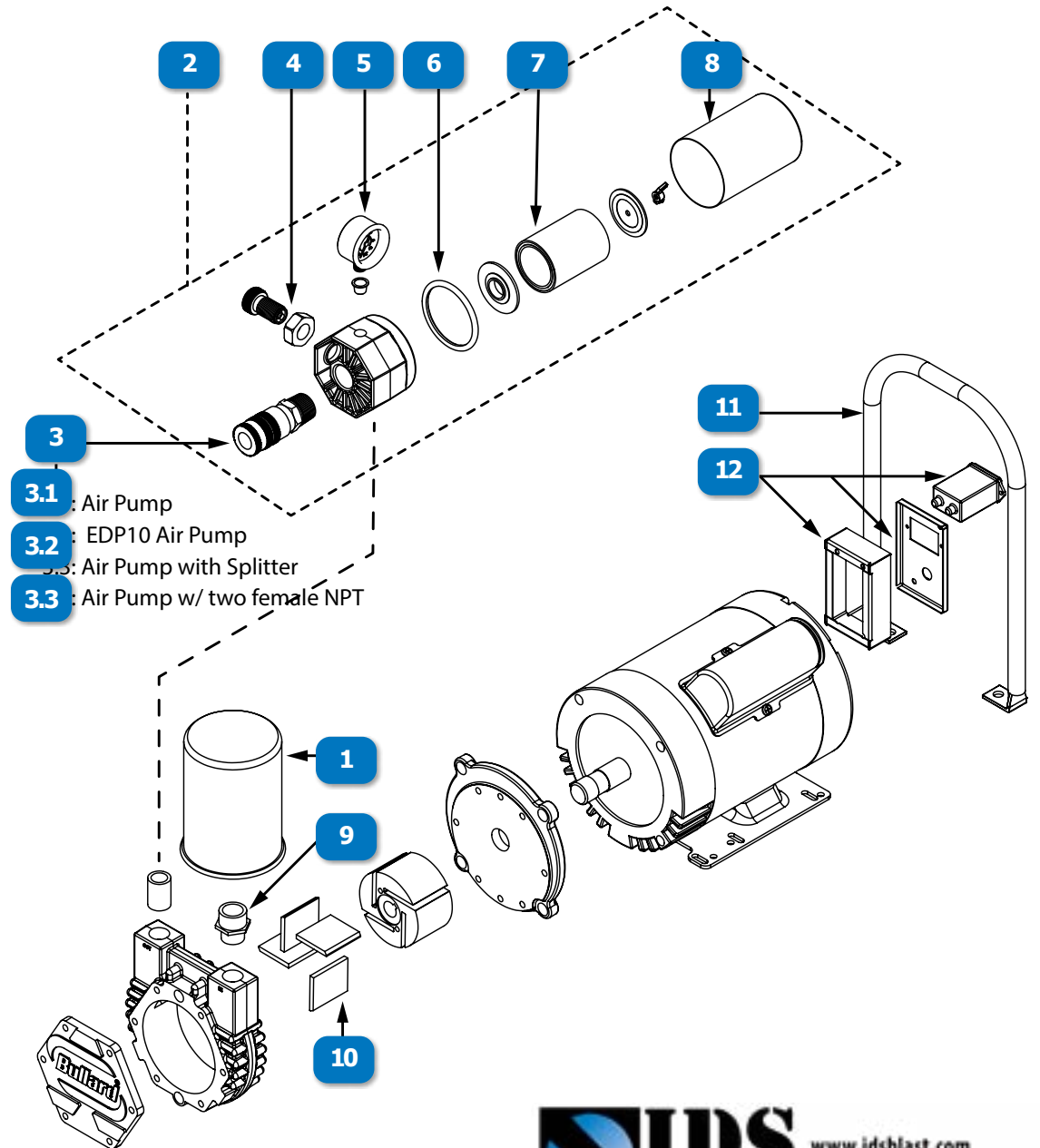


ELECTRIC DRIVEN FREE AIR PUMP BULLARD EDP10

#	DESCRIPTION	PART #
	BULLARD EDP10, ELECTRIC DRIVEN FREE AIR PUMP	EDP10
	BULLARD EDP10, ELECTRIC DRIVEN FREE AIR PUMP, INCLUDES RUN HOUR METER	EDP10HM
1	BULLARD, FREE AIR PUMP INLET FILTER (CHANGE EVERY 500 HOURS OR AS NEEDED)	23611
2	BULLARD EDP10, FREE AIR PUMP INLINE FILTER ASSEMBLY, 1/2" INDUSTRIAL INTERCHANGE	INLINE10
3	BULLARD EDP10, FREE AIR PUMP 1/2" INDUSTRIAL INTERCHANGE QUICK-DISCONNECT COUPLER, 3/4" NPT	S16483
3.1	BULLARD, FREE AIR PUMP QUICK-DISCONNECT COUPLER 1/2"	V24
3.2	BULLARD, FREE AIR PUMP QUICK-DISCONNECT COUPLER ADAPTOR, 1/2" INDUSTRIAL INTERCHANGE, (2) 3/8" FEMALE NPT	V22
3.3	BULLARD, FREE AIR PUMP QUICK-DISCONNECT COUPLER ADAPTOR, 1/2" INDUSTRIAL INTERCHANGE, 3/8" FEMALE NPT	V23
4	BULLARD EDP10, FREE AIR PUMP PRESSURE RELIEF VALVE	EDP10PRV
5	BULLARD FREE AIR PUMP PRESSURE GAUGE, 0-30 PSI	S19683
6	BULLARD, FREE AIR PUMP OUTLET FILTER ASSEMBLY O-RING	263552
7	BULLARD, FREE AIR PUMP OUTLET FILTER, CARBOFINE (CHANGE EVERY 200 HOURS OR AS REQUIRED)	S17101
8	BULLARD, FREE AIR PUMP OUTLET FILTER JAR	244852
9	BULLARD EDP10, BUSHING FOR INLET FILTER	HEXADAPTOR
10	BULLARD EDP10, FREE AIR PUMP VANE REPLACEMENT KIT (SET OF 4 VANES)	VANEEDP10
11	BULLARD EDP10, FREE AIR PUMP HANDLE	222752
12	BULLARD EDP10, FREE AIR PUMP RUN HOUR METER, FIELD CONVERSION KIT	HM



www.idsblast.com
 (317) 545-0665 - (800) 800-0665
 2717 Tobey Dr. Indianapolis, IN 46219