

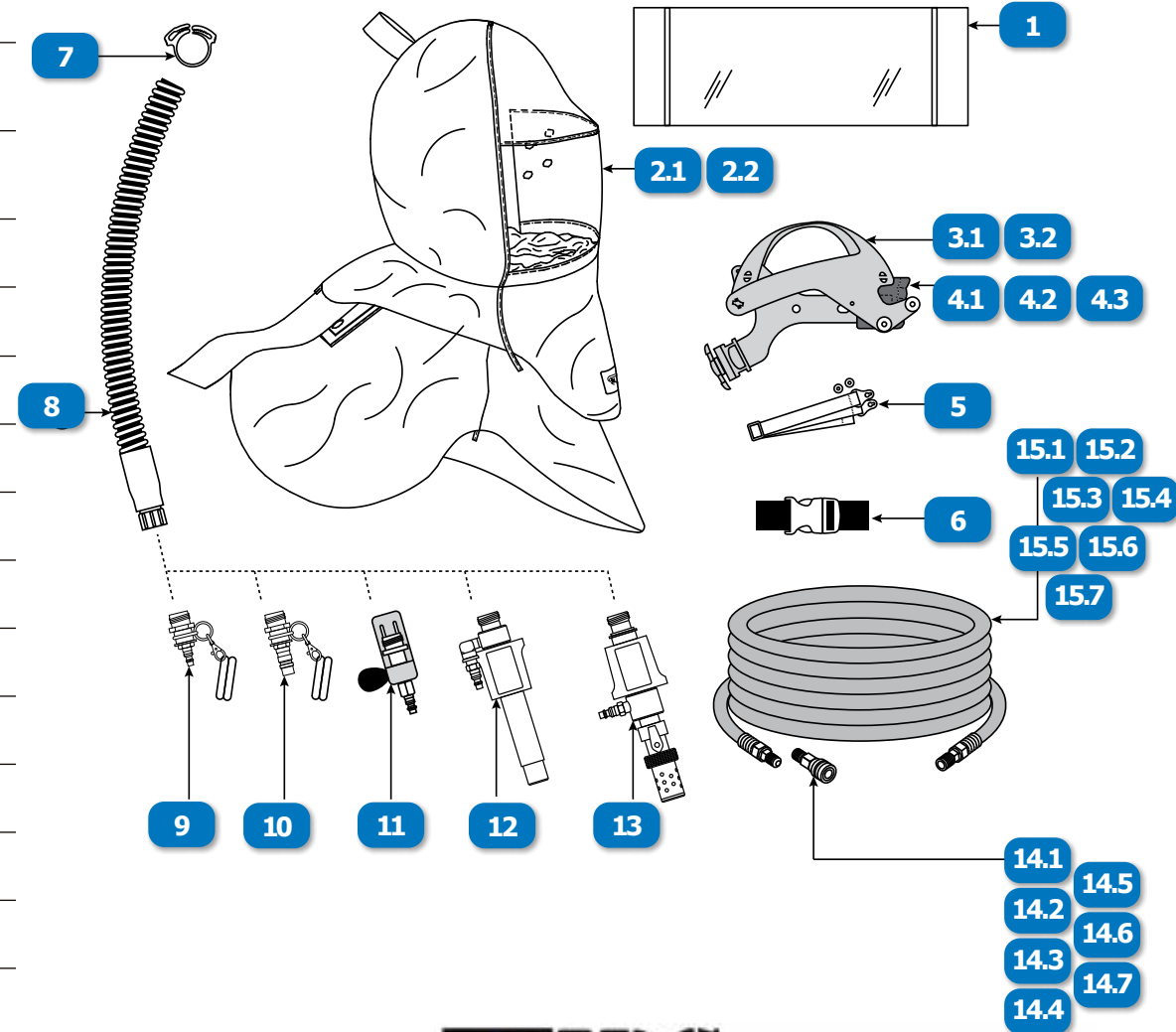


# CC20 RESPIRATOR BULLARD® (Pg. 1 of 2)

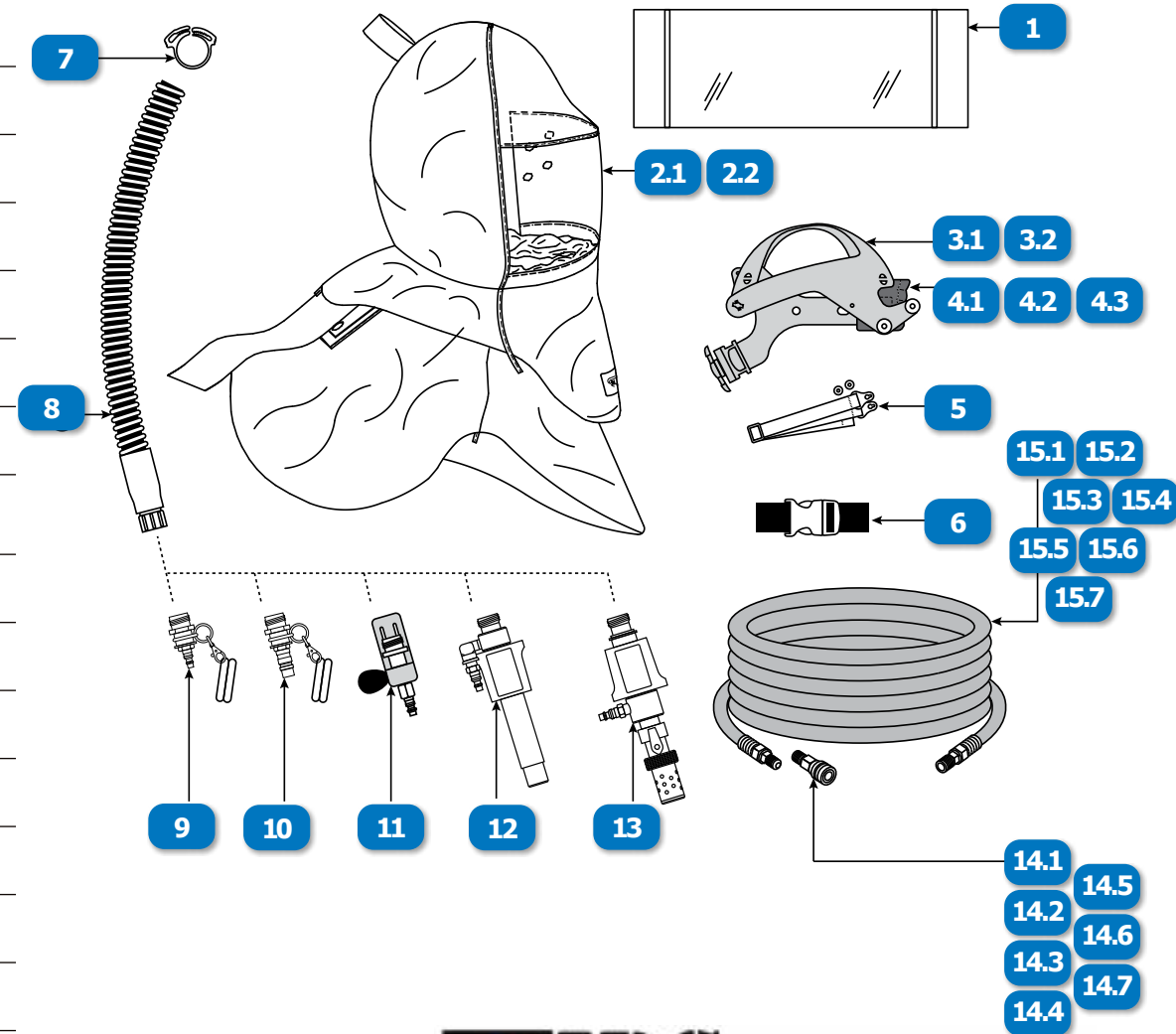
#	DESCRIPTION	PART #
	BULLARD CC20, COMPRESSED AIR RESPIRATOR, TYCHEM QC DOUBLE BIB HOOD, RATCHED HEADBAND SUSPENSION, F30 CONSTANT FLOW 1/4" INDUSTRIAL INTERCHANGE	CC20TIC30
	BULLARD CC20, FREE AIR PUMP RESPIRATOR, TYCHEM QC DOUBLE BIB HOOD, RATCHED HEADBAND SUSPENSION, F35 CONSTANT FLOW 1/2" INDUSTRIAL INTERCHANGE	CC20TIC35
	BULLARD CC20 POWERED AIR-PURIFYING RESPIRATOR, TYCHEM QC DOUBLE BIB, RATCHED HEADBAND SUSPENSION AND EVA PAPR W/ EVABAT1 BATTERY (BLACK), FILTER NOT INCLUDED	EVA20TIC
	BULLARDS CC20 POWERED AIR-PURIFYING RESPIRATOR, TYCHEM SL DOUBLE BIB HOOD, RATCHED HEADBAND SUSPENSION AND EVAHL (HAZARDOUS LOCATIONS) PAPR W/ EVAHLBAT1 BATTERY, FILTER NOT INCLUDED	EVAHL20SICT
<b>1</b>	BULLARD CC20, MYLAR LENS COVER, CLEAR (25 PACK)	20LCL
<b>2.1</b>	BULLARD CC20, HOOD ONLY, TYCHEM QC DOUBLE BIB (NO SUSPENSION)	20TICN
<b>2.2</b>	BULLARD CC20, HOOD ONLY, TYCHEM SL DOUBLE BIB W/ TAPED SEAMS (NO SUSPENSION)	20SICN
<b>3.1</b>	BULLARD CC20 / GR50, ADJUSTABLE FLEX-GEAR RATCHET HEADBAND SUSPENSION	20RT
<b>3.2</b>	BULLARD CLASSIC SERIES HARD HAT, MODEL C30, 6-POINT FLEX-GEAR RATCHET HEADBAND SUSPENSION, W/ ABSORBENT COTTON BROW PAD, WHITE	30WHR
<b>4.1</b>	BULLARD, COTTON BROW PAD, ABSORBENT	RBPCOTTON
<b>4.2</b>	BULLARD, VINYL BROW PAD	RBPVINYL
<b>4.3</b>	BULLARD, COOLING BROW PAD, POLARTEC® WICKING MATERIAL	RBPCOOL
<b>5</b>	BULLARD 88VX / CC20 / GR50, ELASTIC CHINSTRAP (SINGLE)	20NC-1
<b>6</b>	BULLARD, NYLON BELT, 54" X 1-1/2"	4612
<b>7</b>	BULLARD CC20 / GR50, BREATHING TUBE CLAMP, WHITE (SINGLE)	S18051-1
<b>8</b>	BULLARD CC20 / GR50, BREATHING TUBE & CLAMP	20BT
<b>9</b>	BULLARD, F30 CONSTANT FLOW QUICK-DISCONNECT NIPPLE, 1/4" INDUSTRIAL INTERCHANGE (INCLUDES BELT)	F30
<b>10</b>	BULLARD, F35 CONSTANT FLOW QUICK-DISCONNECT NIPPLE, 1/2" INDUSTRIAL INTERCHANGE, FOR USE WITH FREE AIR PUMPS (INCLUDES BELT)	F35



www.idsblast.com  
 (317) 545-0665 - (800) 800-0665  
 2717 Tobey Dr. Indianapolis, IN 46219

# CC20 RESPIRATOR BULLARD® (Pg. 1 of 2)

#	DESCRIPTION	PART #
11	BULLARD, F40 ADJUSTABLE FLOW QUICK-DISCONNECT NIPPLE, 1/4" INDUSTRIAL INTERCHANGE (INCLUDES BELT)	F40
12	BULLARD, AC1000 COOL TUBE W/QUICK-DISCONNECT NIPPLE, 1/4" INDUSTRIAL INTERCHANGE (INCLUDES BELT)	AC1000
13	BULLARD, HC2400 HOT/COLD TUBE W/QUICK-DISCONNECT NIPPLE, 1/4" INDUSTRIAL INTERCHANGE (INCLUDES BELT)	HC2400
14.1	BULLARD, COMPRESSED AIR SUPPLY HOSE ADAPTOR, 3/8" TO 3/8" HOSE, BRASS	V11
14.2	BULLARD, COMPRESSED AIR SUPPLY HOSE ADAPTOR, V10, 3/8" HOSE TO 1/4" PIPE, BRASS	V12
14.3	BULLARD, COMPRESSED AIR SUPPLY HOSE ADAPTOR, 3/8" TO 3/8" PIPE, BRASS	V13
14.4	BULLARD, COMPRESSED AIR SUPPLY HOSE QUICK-DISCONNECT COUPLER, 1/4" INDUSTRIAL INTERCHANGE, 1/4" FEMALE NPT THREAD	V14
14.5	BULLARD, COMPRESSED AIR SUPPLY HOSE QUICK-DISCONNECT COUPLER, 1/4" INDUSTRIAL INTERCHANGE, 3/8" MALE NPT THREAD	V15
14.6	BULLARD, COMPRESSED AIR SUPPLY HOSE QUICK-DISCONNECT NIPPLE, 1/4" INDUSTRIAL INTERCHANGE, 3/8" FEMALE NPT THREAD	V17
14.7	BULLARD, COMPRESSED AIR SUPPLY HOSE QUICK-DISCONNECT COUPLER ASSEMBLY, V10, 1/4" INDUSTRIAL INTERCHANGE, 3/8" HOSE, INCLUDES V12 ADAPTOR	V27
15.1	BULLARD, AIR SUPPLY HOSE, 100' STARTER, V10, 3/8" ID, 1/4" INDUSTRIAL INTERCHANGE, BLACK	4696100
15.2	BULLARD, AIR SUPPLY HOSE, 25' EXTENSION, V10, 3/8" ID, 1/4" INDUSTRIAL INTERCHANGE, BLACK	5454
15.3	BULLARD, AIR SUPPLY HOSE, 50' EXTENSION, V10, 3/8" ID, 1/4" INDUSTRIAL INTERCHANGE, BLACK	5457
15.4	BULLARD, AIR SUPPLY HOSE, 25' STARTER/EXTENSION, V5KF KINK FREE, 3/8" ID, 1/4" INDUSTRIAL INTERCHANGE, BLACK	V5KF2530BLK
15.5	BULLARD, AIR SUPPLY HOSE, 50' STARTER/EXTENSION, V5KF KINK FREE, 3/8" ID, 1/4" INDUSTRIAL INTERCHANGE, BLACK	V5KF5030BLK
15.6	BULLARD, AIR SUPPLY HOSE, 50' STARTER, V20, 1/2" ID, 1/2" INDUSTRIAL INTERCHANGE, FOR USE WITH FREE AIR PUMPS, BLACK	V2050ST
15.7	BULLARD, AIR SUPPLY HOSE, 100' STARTER, V20, 1/2" ID, 1/2" INDUSTRIAL INTERCHANGE, FOR USE WITH FREE AIR PUMPS, BLACK	V20100ST



www.idsblast.com  
 (317) 545-0665 - (800) 800-0665  
 2717 Tobey Dr. Indianapolis, IN 46219