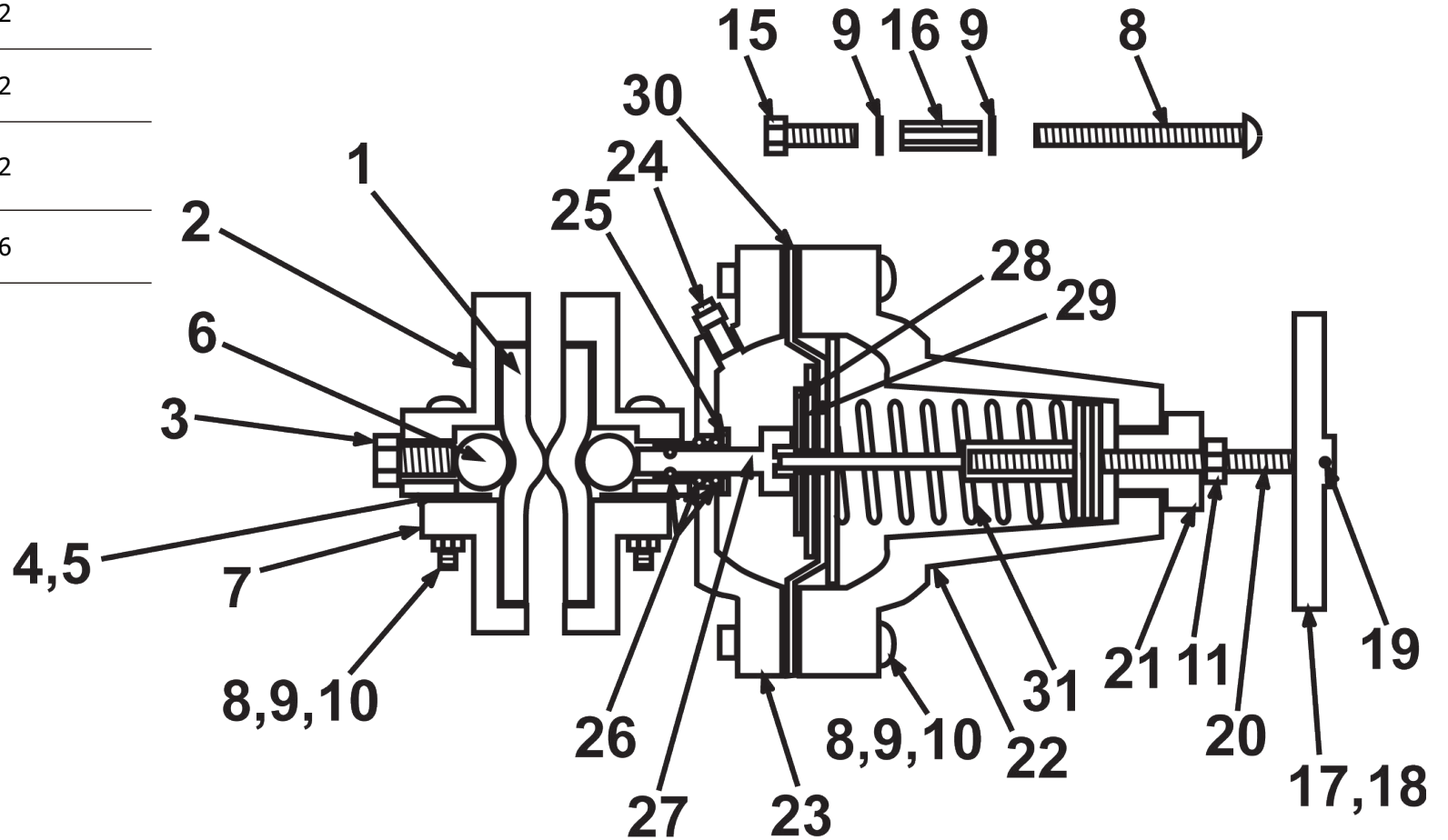


AUTOMATIC PINCH VALVE

#	DESCRIPTION	PART #
	VALVE, PINCH, AUTOMATIC (INCLUDES: X-TREME DUTY™ TUBE)	290215
1	TUBE, METERING, X-TREME DUTY™ , 3/4" I.D.	523592
2	FLANGE, 2" NPT, FOR 290-383 AND 290-215 PINCH VALVES	753292
6	ROLLER, PINCH	753632
17	HANDLE, PINCH VALVE, INCLUDES SET SCREW	753622
20	SHAFT, HANDLE, 1/2" DIAMETER ROD (FOR 290-215 AUTOMATIC PINCH VALVE) INCLUDES#11, 20 & 21	505802
31	SPRING ASSEMBLY, COMPLETE	290296



www.idsblast.com
 (317) 545-0665 • (800) 800-0665
 2717 Tobey Dr. Indianapolis, IN 46219