
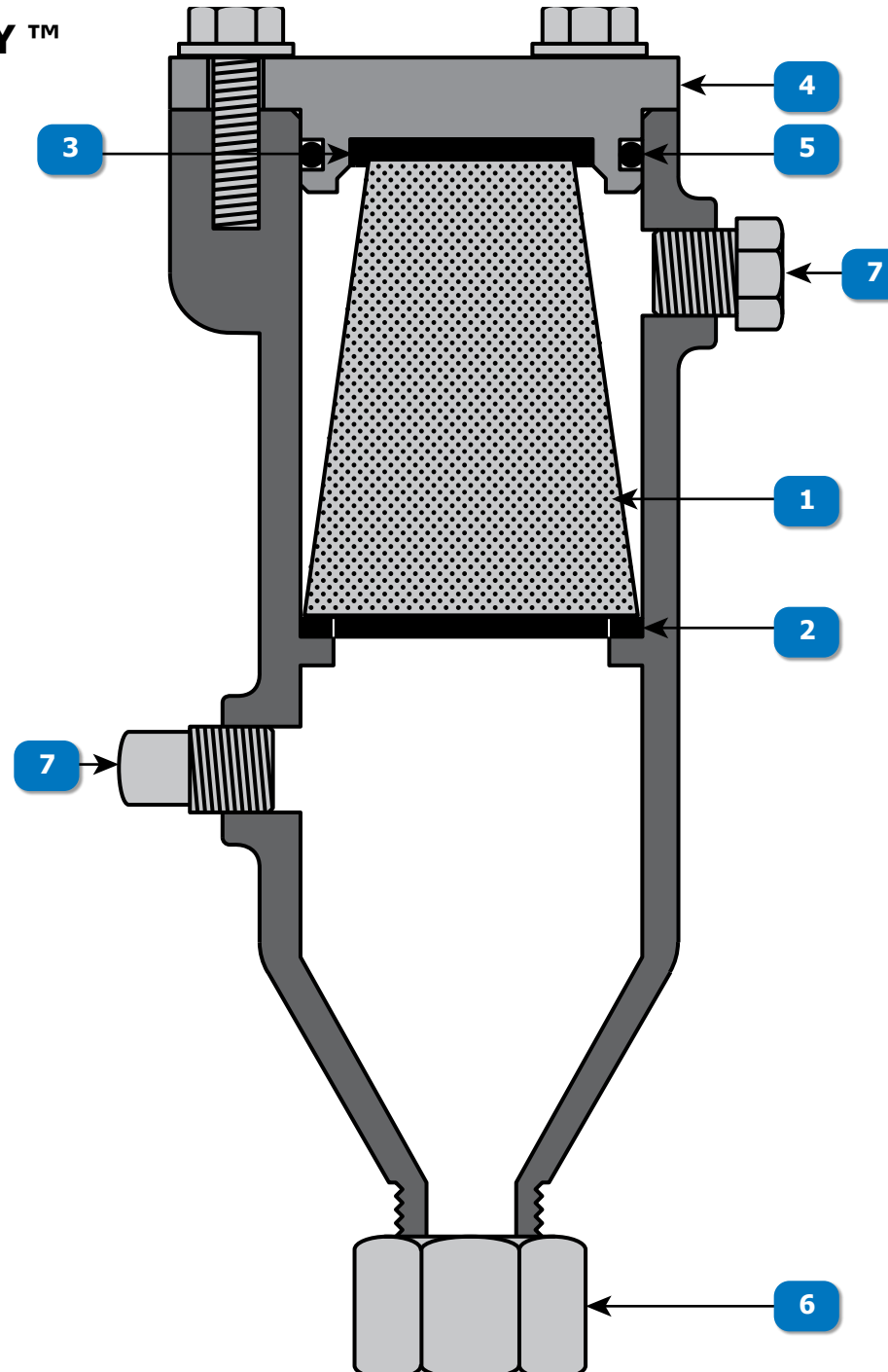


ABRASIVE TRAP II EXTREME DUTY™

| # | DESCRIPTION | PART # |
|--|--|----------------|
|  | ABRASIVE TRAP II, 1", COMPLETE, X-TREME DUTY™ | 100-3530 |
| 1 | ABRASIVE TRAP & ABRASIVE TRAP II, 1", SCREEN | 02012 |
| 2 | ABRASIVE TRAP II, 1", GASKET, SCREEN, LOWER | 100-3740 |
| 3 | ABRASIVE TRAP & ABRASIVE TRAP II, 1", GASKET, SCREEN | 02434 |
| 4 | ABRASIVE TRAP II, 1", TOP CAP | 100-3730 |
| 5 | ABRASIVE TRAP II, 1", O-RING, TOP CAP | 100-0290 |
| 6 | ABRASIVE TRAP II, 1", CLEAN OUT CAP, THREADED | 100-3150 |
| 7 | PIPE PLUG, GALV, 1/4" | 888-3014-102PB |



www.idsblast.com
 (317) 545-0665 • (800) 800-0665
 2717 Tobey Dr. Indianapolis, IN 46219