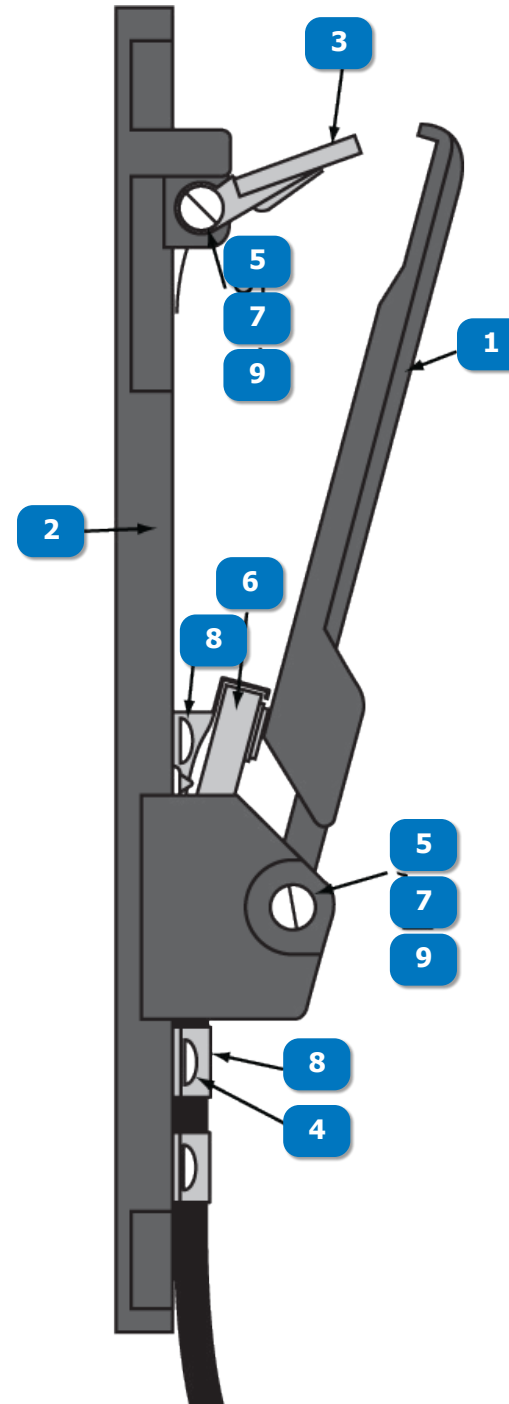


# ELECTRIC CHR DEADMAN CONTROL HANLDE

#	DESCRIPTION	PART #
	CHR ELECTRIC CONTROL HANDLE (DEADMAN CONTROL HANDLE)	343-5925
1	HANDLE	367-4291
2	BASE PLATE	354-5428
3	SAFETY LEVER LOCK	367-4293
4	SHORT PHILLIPS HEAD SCREW	400-4298
5	TORSION SPRING	410-4294
6	MICRO SWITCH ASSY	24842
7	LOCK NUT	402-4296
8	SCREW, 4MM x 6MM PHILLIPS PAN HEAD MACHINE SCREW	400-5298
9	SHOULDER SCREW	400-4295



[www.idsblast.com](http://www.idsblast.com)  
 (317) 545-0665 • (800) 800-0665  
 2717 Tobey Dr. Indianapolis, IN 46219