
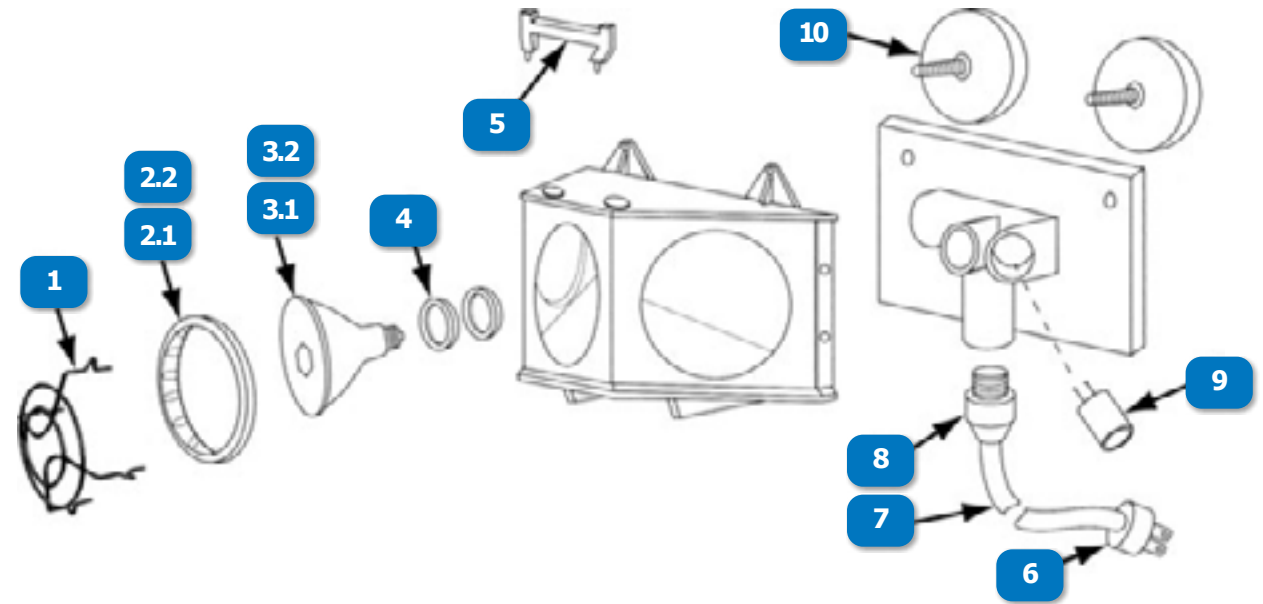


BLAST LIGHT MODEL 4100

| # | DESCRIPTION | PART # |
|--|--|-----------------------|
|  | THREE DIRECTIONAL WIDE AREA 24V LIGHT WITH MAGNETIC MOUNT | 4100LED-24V-25 |
| 1 | PROTECTIVE LAMP GUARD | 4105-3 |
| 2.1 | LAMP FACE SUPPORT RING - LED MODELS (GREEN) | 4105LED |
| 2.2 | LAMP FACE SUPPORT RING - 133W MODELS (YELLOW) | 4105-1 |
| 3.1 | LED PAR 38 SPOTLIGHT, 2000 LUMENS/25W @ 120V, 60° BEAM ANGLE, 5600K | DURA-LITE-LED25FL |
| 3.2 | LED PAR 38 SPOTLIGHT, 2000 LUMENS/25W @ 12-24VAC/DC, 25° BEAM ANGLE, 5600K | DURA-LITE-12V-LED25SP |
| 4 | GASKET, SPOTLIGHT, NEOPRENE (2 REQUIRED PER BULB) | 4106 |
| 5 | HANDLE | 4102 |
| 6 | ELECTRIC PLUG, 110-V, 3-PRONG | 888-7108-300PB |
| 7 | CONTROL CORD, 14.2, 2 WIRE (PER FT) | 14.2 SOWA |
| 8 | STRAIN RELIEF FITTING | 888-7117-504PB |
| 9 | SOCKET | 4113 |
| 10 | MAGNET ENCAPSULATION | 4104 |



www.idsblast.com
 (317) 545-0665 • (800) 800-0665
 2717 Tobey Dr. Indianapolis, IN 46219