

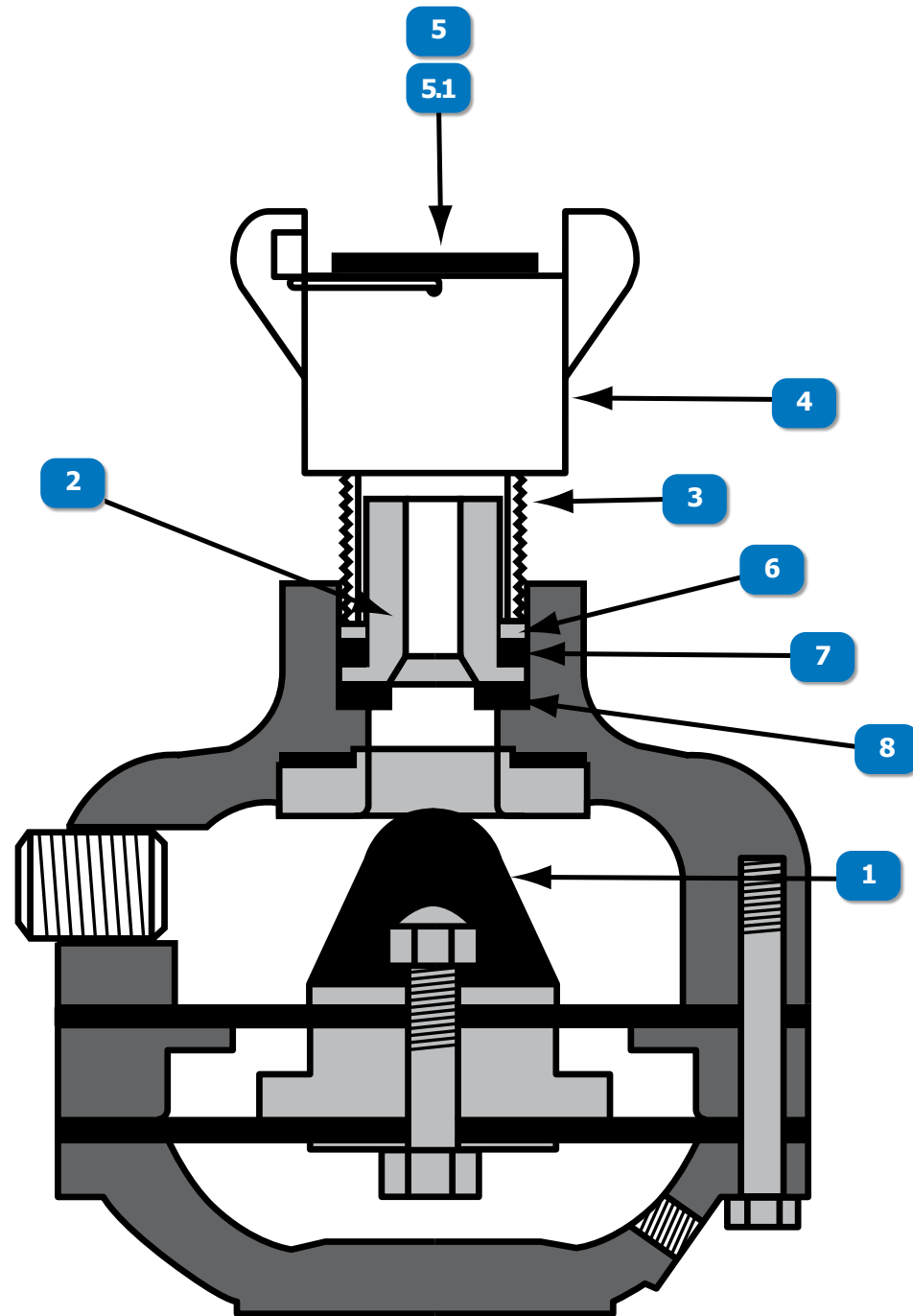


EXHAUST VALVE #8 W/ COUPLING

#	DESCRIPTION	PART #
	VALVE, EXHAUST, #8 (INCLUDES: X-TREME DUTY™ BALL) W/ ALUMINUM COUPLING & 5/16" BORON CARBIDE NOZZLE	290-182-R
	VALVE, EXHAUST, #8 & #2, REPAIR KIT, INCLUDES # 1, (2)2, 3, & 4 (INCLUDES: X-TREME DUTY™ BALL)	290183
1	VALVE BALL, X-TREME DUTY™	525322
2	NOZZLE, BORON CARBIDE, STRAIGHT BORE, GUN INSERT, 5/16" BORE, 1-1/8" FLANGED x 1-3/8" LENGTH	502-081
3	NIPPLE, TBE, SCHEDULE 80, GALV, 1-1/4" x CLOSE	888-3028-10799PB
4	THRD CPLG, STD NPS, ALUMINUM, 1-1/4", 150 PSI MAX	AL-SB-1S
5	GASKET, STANDARD	SBG-1
5.1	GASKET, URETHANE, STANDARD	SBG-1U
6	Flat Washer, 1" ID x 1-1/2" OD x 1/8"	552-952
7	WASHER, NOZZLE, 1" ENTRY x 1-1/4" NPSM, 10 PACK	190-0400
8	NOZZLE WASHER, 3/4" ID, 10 PACK	524082



www.idsblast.com
 (317) 545-0665 • (800) 800-0665
 2717 Tobey Dr. Indianapolis, IN 46219