

"THE REDHEAD"
General Instructions
August 2004

1001-REP Repairable Electric Deadman - Internal Switch Replacement

Before any work is done on the switch, it must be physically disconnected from the equipment.

Anytime a switch is being replaced, the cord supplied with the switch should be replaced and discarded.

Disassembly

1. Remove red cap (1) by turning counter clockwise approximately three times.
2. Note that Terminals 1, 2 3 and the threads in the red cap, have silicone on them. This silicone must be removed from all surfaces.
3. Cut cord (5) at position (A).
4. Loosen screws (6) by rotating counter clockwise four full turns.
5. Remove boot (4) by unscrewing counter clockwise. (Needle nose pliers may be used by squeezing boot around collar.)
6. Switch (2) is now ready for removal. Remove by pushing on end of exposed toggle at position (B).
7. Remove any residual silicone.

Note: You are now ready to install a new switch and cord.

SEE BACK FOR ASSEMBLY INSTRUCTIONS



2717 Tobey • Indianapolis, IN 46219

(317) 545-0665 • FAX (317) 545-0670 • (800) 800-0665

www.idsblast.com

ASSEMBLY

Inspect Replacement kit P/N: 1001-KIT to be sure it is complete.

Kit includes; 4' 16/2 SO cord with terminals attached, jumper cable with terminals attached, switch & screws.

The body of the REDHEAD is designed only for installation of WESTERN TECHNOLOGY'S component kit for the 1001-REP switch.

8. Taking switch (2) in hand, slide switch into place with the groove on the threads (Position D) facing down.
9. Slide cord (5) into switch body (3) until approximately 1 1/2" of wire is exposed.
10. Install jumper cable (7) as shown in assembly diagram across the extreme ends of the screw terminals. NOTE: The terminal ends are numbered and this jumper should be across terminals #1 and #3.
11. Tighten screw (8) on terminal #1.
12. To connect cord, the white wire should be connected to terminal #2 and fixed into position by screw (9). Now connect the black wire to terminal #3 which also will hold one end of the jumper (7). Fasten with screw (10).
13. At this point, you will want to decrease the amount of excess wire located in the switch cavity. This is accomplished by pulling on cord (5) until all of the excess has been removed. Tighten screws (6) by rotating each screw clockwise four full turns.
14. Install boot (4) provided in kit by rotating clockwise over the exposed portion of the threads, (Position D), making sure that the boot is on snug. Over tightening will cause damage to the boot and nullify its effectiveness. One full turn of the boot after it has reached its position should suffice.
15. It is important to check the electrical continuity at this point. This may be accomplished by connecting wires (11) & (12) to a flashlight continuity checker, then depressing boot. Light should come on. Light should also come on when boot is raised up but under no circumstances, should light come on when boot is in the center (neutral) position. If the switch is not working properly, recheck steps 10 through 15.
26. Apply a dab of silicone to terminals 1, 2 & 3, use an amount sufficient to completely cover. Apply a small amount of silicone to female threads in cap (1) and install cap (1) by rotating clockwise approximately 3 times. NOTE: **Do not over tighten** as the lubricating qualities of the silicone will cause the threads to jump. When silicone has hardened, the cap will be seized in place providing a waterproof and dustproof atmosphere for the switch.

Failure to use only WESTERN TECHNOLOGY™ complete replacement kit voids all warranties and liabilities.



TECHNICAL BULLETIN #5

To All Distributors and Customers

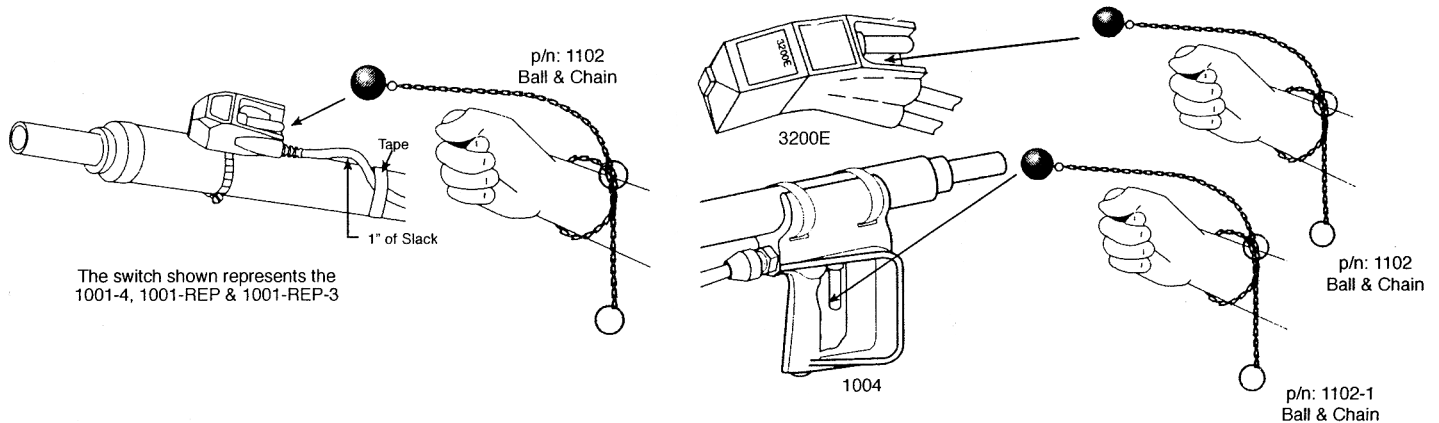
IMPORTANT-PLEASE READ

Electric Deadman Switches

(p/n 1001, 1001-4, 1001-REP, 1004, and 3200E)
 p/n: 1102 or 1102-1 Ball & Chain

WARNING: DO NOT use foreign objects in place of the Ball & Chain, p/n: 1102 or 1102-1. When hooking up WESTERN TECHNOLOGY's™ p/n: 1002, 1002-1, or 3200P Valves, the following **MANDATORY** procedures must be adhered to: When placing the toggle in the "UP" position the **Ball & Chain, p/n: 1102 or 1102-1**, must be used. The use of any object other than the **Ball & Chain, p/n: 1102 or 1102-1** supplied by WESTERN TECHNOLOGY™ is a circumvention of the designed safety features

Distributors: Please Read. Every WESTERN TECHNOLOGY™ Deadman Remote Control sold by you must be accompanied by this Technical Bulletin #5 and a Ball & Chain, p/n: 1102 or 1102-1. (One Technical Bulletin #5, per unit, not one Technical Bulletin #5 per order).



Installation Instructions:

Recommended method of installation of all WESTERN TECHNOLOGY's™ Electric Deadman Switches. This one-inch of slack will prevent the copper strands in the wire from breaking where the cord enters the switch due to tension when the blast hose is bent or when activated.

When installing, use hose clamps similar to WESTERN TECHNOLOGY™ p/n: 3111.

If you have any questions or require further technical assistance, please do not hesitate to contact your distributor or

The **Ball & Chain, p/n: 1102 or 1102-1** must be used at all times. The **Ball & Chain, p/n: 1102 or 1102-1** is designed as an integral part of the safety features of these products. If the operator needs to drop the blast hose the ball will automatically disengage shutting the system down.

NOT FOLLOWING THESE INSTRUCTIONS MAY CAUSE SERIOUS INJURIES!

TECHNICAL BULLETIN #5 CONTINUED

To All Distributors and Customers

IMPORTANT-PLEASE READ

Pneumatic Deadman Switches

(p/n 1002, 1002-1, and 3200P)

p/n: 1102 Ball & Chain

WARNING: DO NOT use foreign objects in place of the Ball & Chain, p/n: 1102. When hooking up WESTERN TECHNOLOGY's™ p/n: 1002, 1002-1, or 3200P Valves, the following **MANDATORY** procedures must be adhered to: When placing the toggle in the "UP" position the **Ball & Chain, p/n: 1102**, must be used. The use of any object other than the **Ball & Chain, p/n: 1102** supplied by WESTERN TECHNOLOGY™ is a circumvention of the designed safety features of these products.

Distributors: Please Read. Every WESTERN TECHNOLOGY™ Deadman Remote Control sold by you must be accompanied by this Technical Bulletin #5 and a Ball & Chain, p/n: 1102. (One Technical Bulletin #5, per unit, not one Technical Bulletin #5 per order).

1002 Pneumatic Deadman Remote Control Valves with 1/4" barbed connectors must use 1/4" twin air line hose and non-restricting 1/4" fittings. (This part is colored red).

1002-1 Pneumatic Deadman Remote Control Valves with 3/16" barbed connectors must use 3/16" twin air line hose and non-restricting 3/16" fittings. (This part is colored black).

3200P Pneumatic Deadman Control Valves/Blast Light Receptacles with 1/4" barbed connectors must use air lines and fittings with internal dimensions of 1/4" or greater.

Please note that with this product we are specifying internal dimensions of 1/4" or greater, NOT nominal dimensions of 1/4" as we have specified with the 1002.

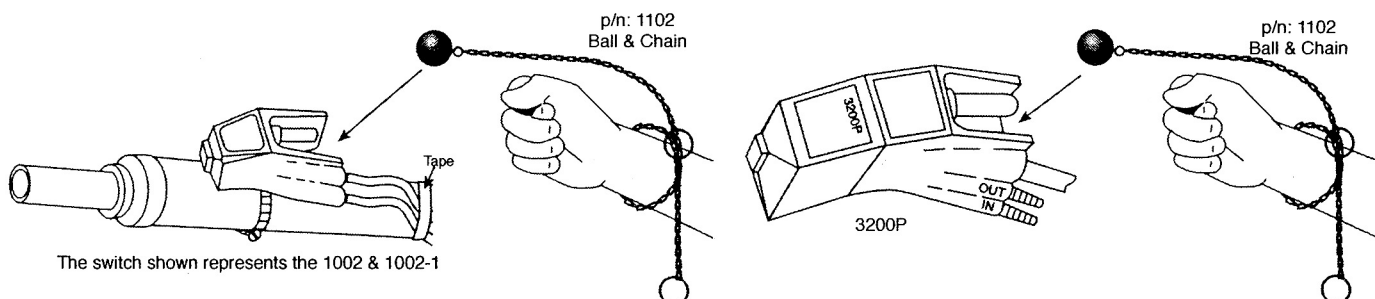
DO NOT use air lines that restrict, or any fittings that will restrict the internal dimension to less than the applicable 3/16" or 1/4" size barbed connectors as stated above for the 1002 and 1002-1. For the 3200P all fittings and hoses must have internal dimension of 1/4" or greater. If the internal dimensions of the air line hoses and fittings are not the same size as required above, the Control Valve on the blast post will not activate properly.

ALL VALVES NEED CLEAN, DRY, FILTERED AIR TO OPERATE PROPERLY. (This is very important especially for safety's sake).

If you have any questions or require further technical assistance, please do not hesitate to contact your Distributor or

The **Ball & Chain, p/n: 1102** must be used at all times. The **Ball & Chain, p/n: 1102** is designed as an integral part of the safety features of these products. If the operator needs to drop the blast hose the ball will automatically disengage shutting the system down.

NOT FOLLOWING THESE INSTRUCTIONS MAY CAUSE SERIOUS INJURIES!





WESTERN TECHNOLOGY

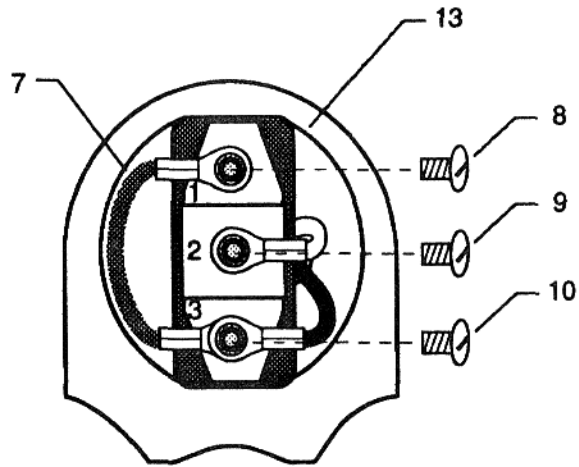
Installation/Disassembly Instructions
Repairable Electric Deadman Control Switch

Part # 1001-REP
"REDHEAD"

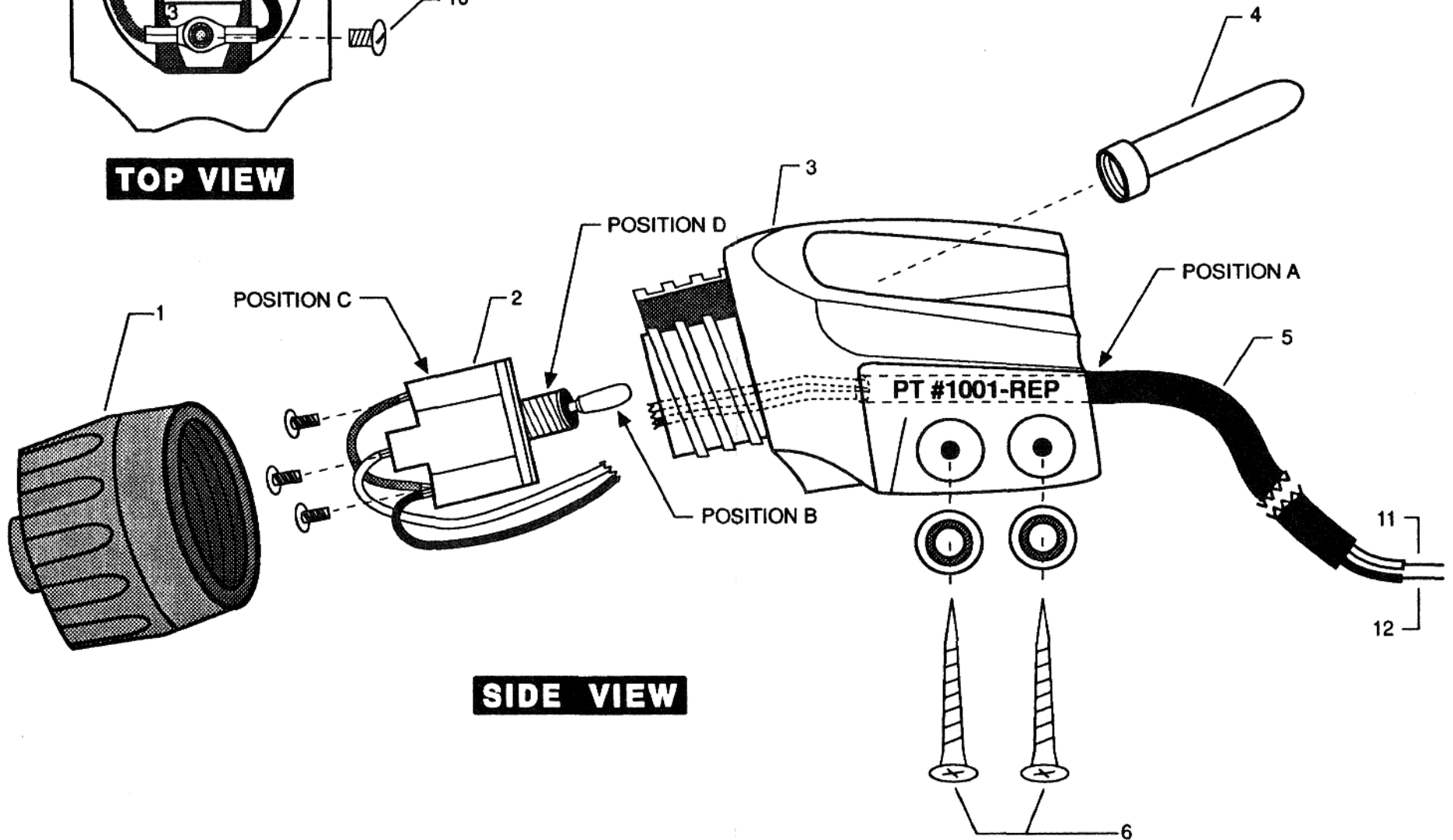
DATE: 4/94

REV.

DESIGNED BY: JOSEPH SCHRAMM



TOP VIEW



SIDE VIEW