



TECHNICAL BULLETIN #5

To All Distributors and Customers

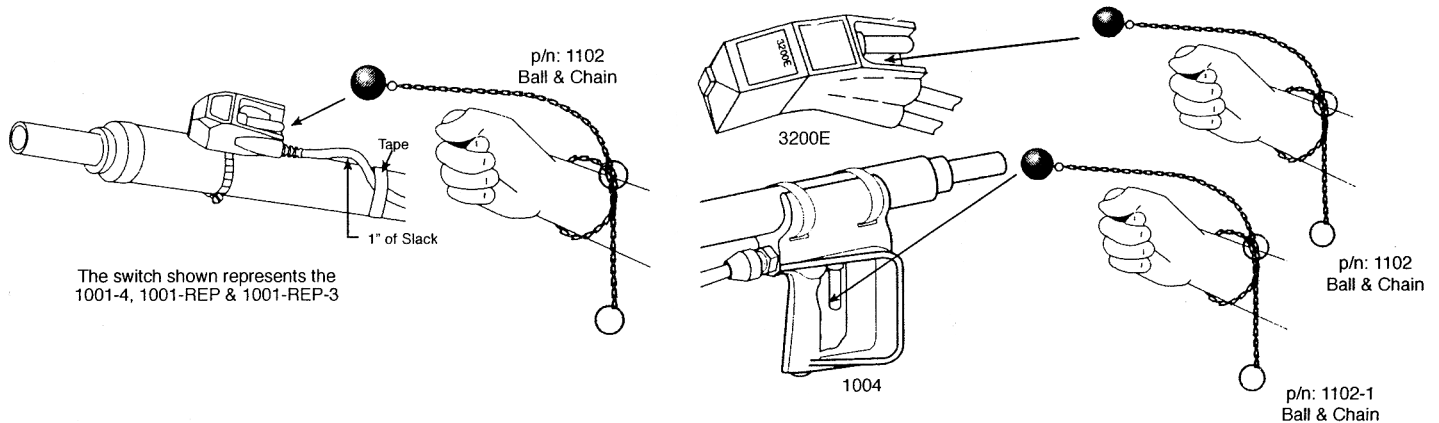
IMPORTANT-PLEASE READ

Electric Deadman Switches

(p/n 1001, 1001-4, 1001-REP, 1004, and 3200E)
 p/n: 1102 or 1102-1 Ball & Chain

WARNING: DO NOT use foreign objects in place of the Ball & Chain, p/n: 1102 or 1102-1. When hooking up WESTERN TECHNOLOGY's™ p/n: 1002, 1002-1, or 3200P Valves, the following **MANDATORY** procedures must be adhered to: When placing the toggle in the "UP" position the **Ball & Chain, p/n: 1102 or 1102-1**, must be used. The use of any object other than the **Ball & Chain, p/n: 1102 or 1102-1** supplied by WESTERN TECHNOLOGY™ is a circumvention of the designed safety features

Distributors: Please Read. Every WESTERN TECHNOLOGY™ Deadman Remote Control sold by you must be accompanied by this Technical Bulletin #5 and a Ball & Chain, p/n: 1102 or 1102-1. (One Technical Bulletin #5, per unit, not one Technical Bulletin #5 per order).



Installation Instructions:

Recommended method of installation of all WESTERN TECHNOLOGY's™ Electric Deadman Switches. This one-inch of slack will prevent the copper strands in the wire from breaking where the cord enters the switch due to tension when the blast hose is bent or when activated.

When installing, use hose clamps similar to WESTERN TECHNOLOGY™ p/n: 3111.

If you have any questions or require further technical assistance, please do not hesitate to contact your distributor or

The **Ball & Chain, p/n: 1102 or 1102-1** must be used at all times. The **Ball & Chain, p/n: 1102 or 1102-1** is designed as an integral part of the safety features of these products. If the operator needs to drop the blast hose the ball will automatically disengage shutting the system down.

NOT FOLLOWING THESE INSTRUCTIONS MAY CAUSE SERIOUS INJURIES!

