

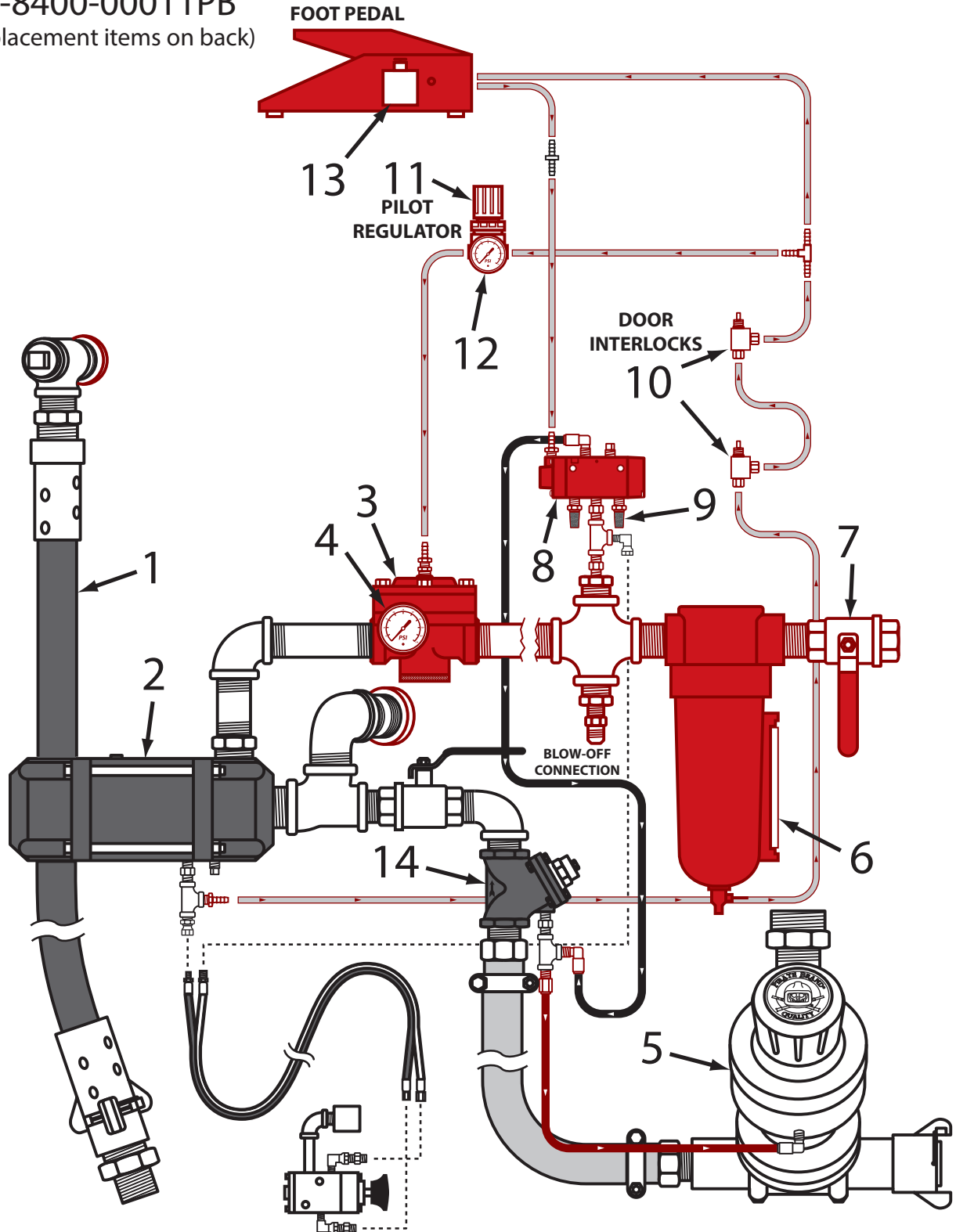


ASSEMBLY INSTRUCTIONS



Kit 999-8400-00011PB

(List of replacement items on back)



RED ITEMS INDICATE REUSED EXISTING ITEMS (NOT INCLUDED WITH KIT)

REPLACEMENT PARTS

| | | |
|----|------------------|--|
| 1 | 520-812 | HOSE, BLAST, BLACK, NOMINAL 3/4" ID x 1-1/2" OD, 2 PLY, WP 150 PSI, PER FOOT |
| 2 | 888-2223-000PB | VALVE, COMBINATION, COMPLETE |
| | 888-2223-00099PB | VALVE, COMBINATION, REPAIR KIT |
| 3 | 1431-270 | 1" SLAVE REGULATOR |
| | 1431-270-1 | REPAIR KIT FOR 1431-270, 1" SLAVE REGULATOR |
| 4 | 1242-250 | GAUGE, PRESSURE, 0-160 BACK MNT |
| 5 | 888-2149-106PB | APV, 1", W/URETHANE SLEEVE |
| | 888-2149-10099PB | APV, REPAIR KIT W/URETHANE SLEEVE, INCLUDES PLUNGER |
| | 888-2149-10098PB | APV, SEAL KIT, SEALS ONLY W/URETHANE SLEEVE |
| 6 | 517-271 | FILTER, MANUAL 1" NPT MOISTURE TRAP (5 MICRON) |
| | 505-161 | REPAIR KIT, AIR FILTER, 3/4", 1", 1-1/4" & 1-1/2" |
| | 508-002 | FILTER ELEMENT 3/4", 1", 1-1/4" & 1-1/2" 5 MICRON |
| 7 | VB100 | BALL VALVE, FULL PORT, 1" NPT |
| 8 | 1569-4040 | VALVE, CONTROL, 4-WAY, PNEU |
| 9 | 103-9880 | FILTER, 1/4" |
| 10 | 1569-3950 | VALVE, AIR, DOOR LIMIT |
| 11 | 1431-360 | REGULATOR, PILOT |
| 12 | 408013 | PRESSURE GAUGE, 1/8" NPT |
| 13 | 120-0260 | VALVE, FOOT PEDAL AIR |
| 14 | 888-2123-106PB | VALVE, AUTO AIR, 1", (NORMALLY CLOSED) |
| | 888-2123-00699PB | VALVE, AUTO AIR, 1/2", 3/4" & 1", REPAIR KIT |



⚠ DANGER

Explosion Hazard

Opening a pressurized vessel or performing maintenance on pressurized equipment will cause an explosive release of air causing serious injury or death.

Safely depressurize pressure equipment before attempting to open or service. Always disconnect from air source before performing maintenance.



⚠ WARNING

These products and equipment are not under any circumstances to be used with sand or silica products of any type and use of such materials will void any warranty. Also, as with the use of any product or equipment you must be sure to use the proper safety equipment and to properly train your employees in the use of any equipment or products. The manufacturer, wholesaler and distributor assume no responsibility arising from the failure to use proper safety equipment or the failure to properly train employees in the use of products and equipment.



Distributed By:



2717 Tobey • Indianapolis, IN 46219
 (317) 545-0665 • FAX (317) 545-0670 • (800) 800-0665
www.idsblast.com