



BIG-BORE™

ABRASIVE DELIVERY SYSTEM

THE APV BIG-BORE™ METERING VALVE

When high abrasive flow is key to your operation, the APV Big-Bore™ metering valve is the answer. A must for blasting with #8 / #10 / #12 nozzles and spin blasters with 5/16" nozzles or larger!

MORE THAN

2X

THE MAXIMUM ABRASIVE FLOW COMPARED TO STANDARD METERING VALVES!

FEATURES & BENEFITS:

- Abrasive metering opening 235% the size of a standard valve opening
- Tungsten carbide plunger and sleeve
- Heavy duty urethane seat
- Stainless steel insert - hardened to HRC 40+
- Black oxide finished base - hardened to HRC 60+
- Pipe Nipples hardened to HRC 55+
- Available with 1½", 2", or without pipe nipple

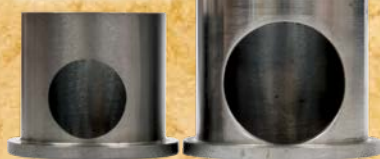


APV BIG-BORE™ WITH 2" PIPE NIPPLE SHOWN



Standard APV

BIG-BORE™



235% THE SIZE OF A STANDARD VALVE

The more than 2X max flow rate of the Big-Bore™ is achieved by opening up the abrasive path through the valve. Pictured are the sleeves through which metered abrasive flows from a standard valve and a Big-Bore™ valve.



2717 Tobey • Indianapolis, IN 46219
(317) 545-0665 • FAX (317) 545-0670 • (800) 800-0665
www.idsblast.com

PARTS & REPAIR KITS

APV BIG BORE™ COMPLETE VALVES



PN: 888-2149-500PB
APV BIG-BORE™ METERING VALVE
W/TUNGSTEN CARBIDE SLEEVE
(PIPE NIPPLE NOT INCLUDED)



PN: 888-2149-508PB
APV BIG-BORE™ METERING
VALVE, 1½", W/TUNGSTEN
CARBIDE SLEEVE



PN: 888-2149-509PB
APV BIG-BORE™ METERING VALVE,
2", W/TUNGSTEN CARBIDE SLEEVE

REPAIR KIT



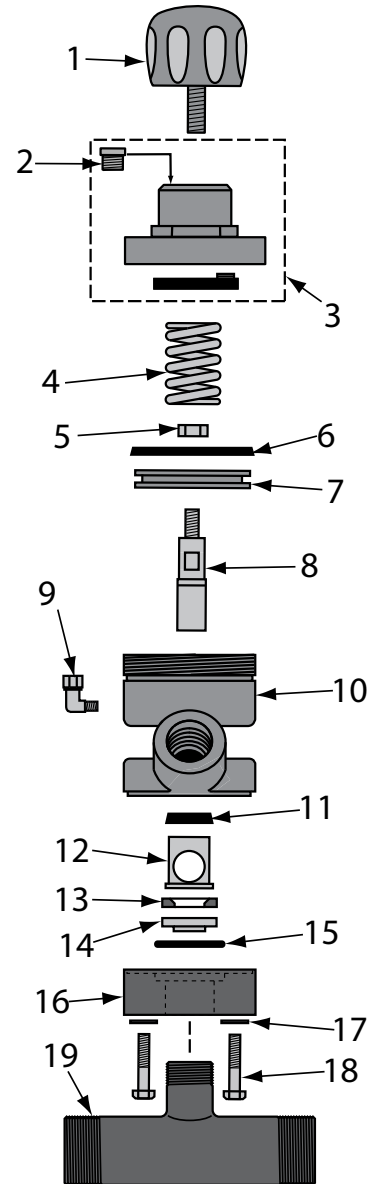
PN: 888-2149-50099PB
APV BIG-BORE™, REPAIR KIT
W/TC SLEEVE, INCLUDES
6, 8, 11, 12, 13, 14 & 15

SEAL KIT



PN: 888-2149-50098PB
APV BIG-BORE™, SEAL KIT
W/TC SLEEVE, INCLUDES
6, 11, 13, & 15

#	PART #	DESCRIPTION
1	888-2149-00001PB	APV, KNOB
2	888-2014-300PB	VENT, 1/8"
3	888-2148-00002PB	APV & APV II, CAP ASSEMBLY
4	888-2149-50003PB	APV, SPRING, BIG-BORE™ (GRAY/BLUE)
5	888-2149-00008PB	APV & TV2, NUT
6	888-2148-00004PB	APV, APV II, & T2V PISTON SEAL (GREEN URETHANE)
7	888-2149-50005PB	APV, PISTON, BIG-BORE™
8	888-2149-50007PB	APV, TUNGSTEN CARBIDE, PLUNGER, BIG-BORE™
9	888-4203-50000PB	SWIVEL 90°, 1/8" MNPT X 1/8" F
10	888-2149-50009PB	APV, CYLINDER, BIG-BORE™
11	888-2149-50006PB	APV, PLUNGER SEAL W/ O-RING, BIG-BORE™
12	888-2149-50013PB	APV, TUNGSTEN CARBIDE SLEEVE, BIG-BORE™
13	888-2149-50015PB	APV, URETHANE SEAT, BIG-BORE™ (HEAVY DUTY BLUE)
14	888-2149-50014PB	APV, STAINLESS STEEL INSERT, BIG-BORE™
15	888-2149-50018PB	APV, O-RING FOR METERING VALVE INSERT, BIG-BORE™
16	888-2149-50011PB	APV, BASE, BIG-BORE™
17	888-7027-50302PB	APV, APV II & T2V, FLAT WASHER 3/8" SAE (10 PACK)
18	888-7010-50754PB	BOLT, 3/8" UNC x 2¼"
19	888-2149-50816PB	APV & APV II, PIPE NIPPLE, 1½" MALE x 1-1/2" MALE FOR STRAIGHT-DOWN & BIG-BORE™ METERING VALVES
	888-2149-00915PB	APV & APV II, PIPE NIPPLE, 2" MALE x 2" MALE FOR STRAIGHT-DOWN & BIG-BORE™ METERING VALVES



RELATED PARTS



UNION END BALL VALVE

PN: 888-2408-907PB
BALL VALVE, UNION END, 1¼"

THE BIG-BORE™ UNION END BALL VALVE IS A MUST
WHEN USING A BIG-BORE™ METERING VALVE. SPECIFY
BIG-BORE™ WHEN ORDERING



APV SERVICE WRENCH

PN: MP01035
APV WRENCH, FITS APV/APVII CAPS
& HANDWAY NUT

HELPS WHEN PERFORMING MAINTENANCE ON YOUR
APV AND APVII VALVES. LARGE OPEN END FITS THE
VALVE CAP. SMALLER INTERNAL HEX
FITTS THE BLAST POT HANDWAY NUT.

