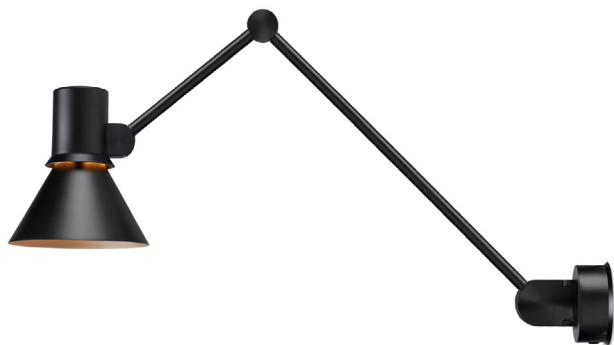


Type 80™ W3

ANGLEPOISE®
Abandon Darkness.

Type 80™ Collection | Technical Sheet

Launched In 2021 | Designed by Sir Kenneth Grange



Product

W3 Wall Light - Matte Black

Description

In addition to the Type 80 signature shade, the W3 wall light has a long extended arm with movable joints at the wall, elbow and the shade to help you direct light where you need it most.

Combined with the Type 80 table and pendant lights it makes a striking statement as a complete collection.

Materials

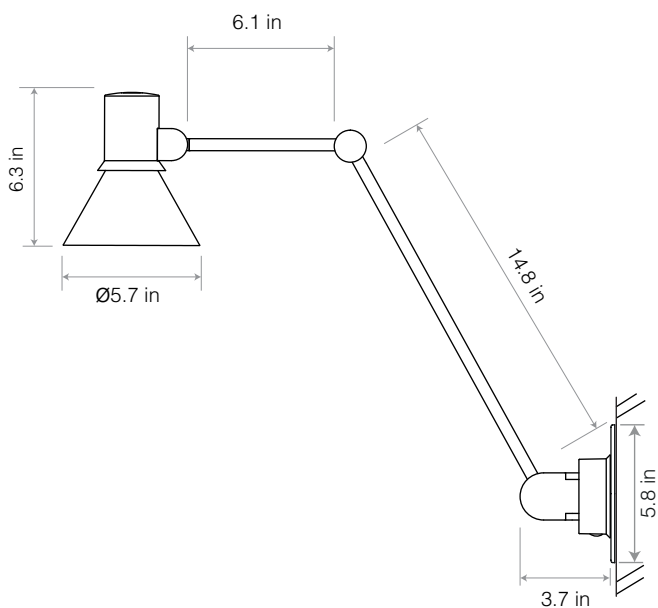
- Matt paint and Anodised Aluminium finish
- Aluminium shade
- Steel Arms
- Anodised machined joints
- Aluminium and Steel wall plate
- Color-matched Junction Box Mounting Kit
- IP20 rating

Dimensions

- Shade diameter: 5.7in
- Shade height: 6.3in
- Max Reach: 31.5in (from wall to shade)
- Vertical Motion: +/- 27.5in (lowest to highest shade position)
- Side to Side: Horizontal movement - +/- 35 deg (Wall joint rotation)
- Junction box mounting kit: depth 0.3in, diameter 5.8in
- Lamp Packaging (L x W x H): 34.6in x 7.9cm x 7.5cm
- Lamp Packaged Weight: 5 lbs

Electrical

- cUL Certified
- Voltage: 110/120V, 50/60Hz
- Integrated shade switch
- E26 Lamp holder
- Maximum permitted bulb: 10W LED
- Supplied with a compatible LED bulb:
 - 4W LED Bulb
 - Luminous Intensity: 380lm
 - Life: 15,000 Hours
 - Non-dimmable
 - Color Temperature: 2700K
 - CRI (Ra) : ≥ 80



For full information on dimensions & reach -
see page 2

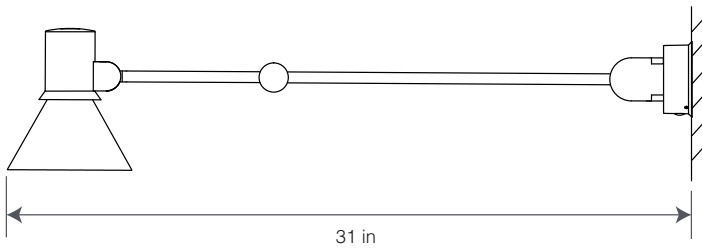
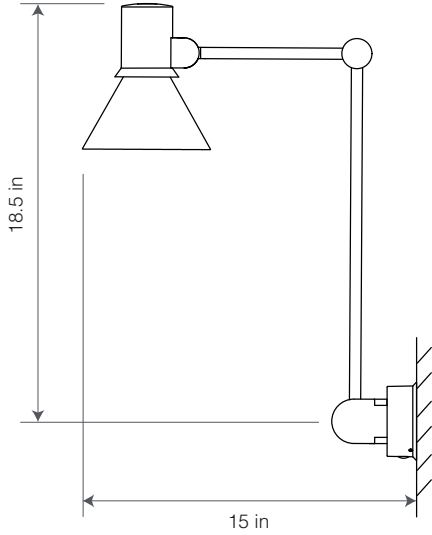


Type 80™ W3 - Dimensions & Reach

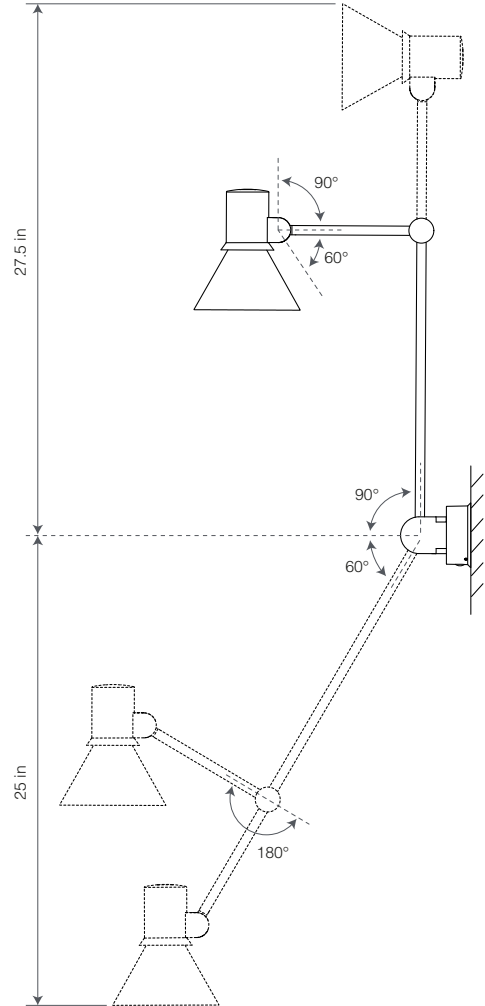
ANGLEPOISE®
Abandon Darkness.

Type 80™ Collection | Technical Sheet

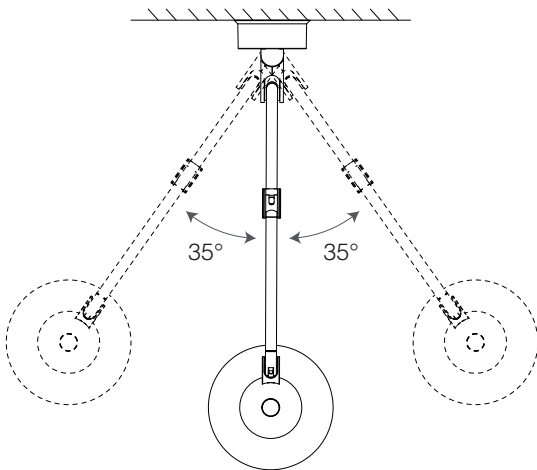
Launched In 2021 | Designed by Sir Kenneth Grange



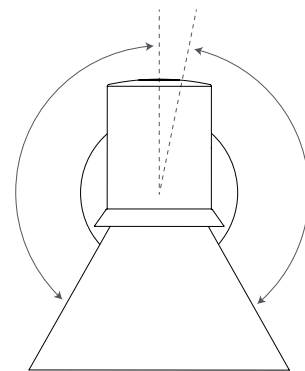
Maximum Horizontal Reach



Angular Motion



Side to Side Horizontal Movement



Shade Rotational Movement



Bulb
included