

# TOLDBOD 155/220 GLASS PENDANT

The fixture emits glare-free light directed primarily downwards. The opal glass provides a comfortable and uniform illumination of the area around the fixture.



**Jissen 120th  
memorial square  
(Jissen Women's  
University)**



**Greek Restaurant Spyro's**

## Product info

### Environmental Product Specification

This product is compliant with the requirements contained in the European Directives, RoHS Directive 2011/65 and 2015/863. This product is designed so that 100% of the product can be disassembled and reused.

### Mounting

Suspension type: Cable 2x0,75mm<sup>2</sup>. Canopy: Yes. Cable length: 3m.

### Finish

White opal glass.

### Materials

Suspension: Brushed stainless steel. Shade: Mouth-blown white opal glass.

### Sizes and weights

Width x Height x Length (mm) | 155 x 260 x 155 Max 0.8 kg | 220 x 275 x 220 Max 1.5 kg

### Class

Ingress protection IP20. Electric shock protection II w/o ground.

### Specification notes

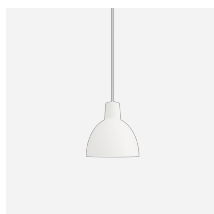
60W QT only available for Ø220.

### Light source

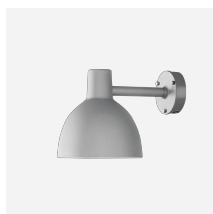
1x25WW G9



## Related products



Toldbod Pendant



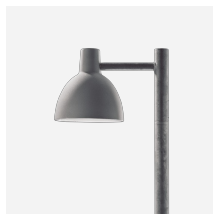
Toldbod 220/290 Wall



Toldbod 155 Wall



Toldbod 155 Bollard



Toldbod 290 Post



Toldbod 290 LED Upgrade Kit

## Product variants

### Dimension

Ø 155

Ø 220

### Light source

1x25WW G9

## Design

Louis Poulsen A/S

## Weight

Min: 0.837 kg Max: 1.534 kg

## Dimensions

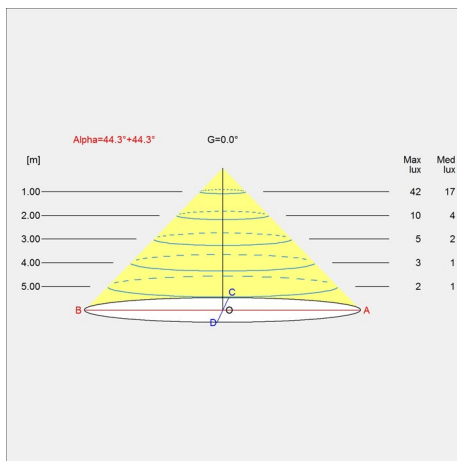
Ø 155, Ø 220

## Finish

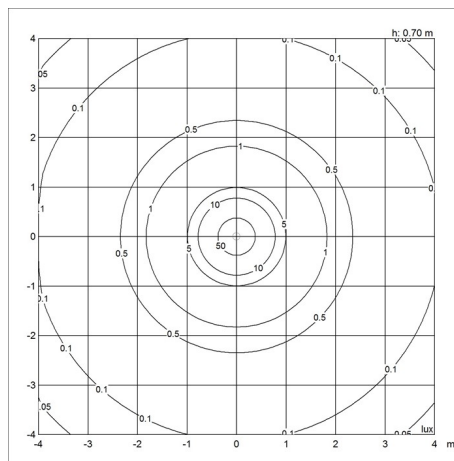
White opal glass

# Light distribution diagrams

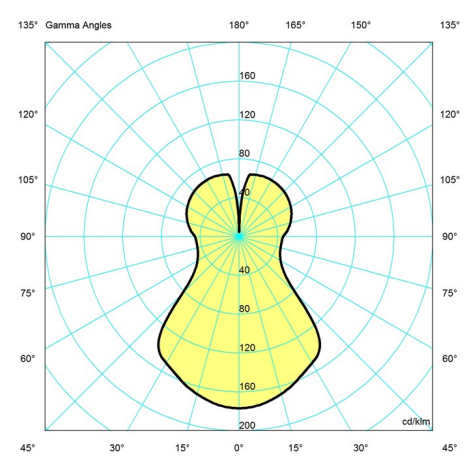
Cartesian



Isolux



Polar



## Spare parts & accessories

**Toldbod 155/220 Glass Pendant**

<b>Product</b>	<b>Variant number</b>
Canopy White 2-part tophat ©	5749329034
Toldbod Pendant 155 spare glass	5741085907
Toldbod Pendant 220 spare glass	5741085910
Toldbod Pendant 155 25W QT susp kit V2	5741094134
Toldbod Pendant 220 25W QT susp. kit V2	5741094147