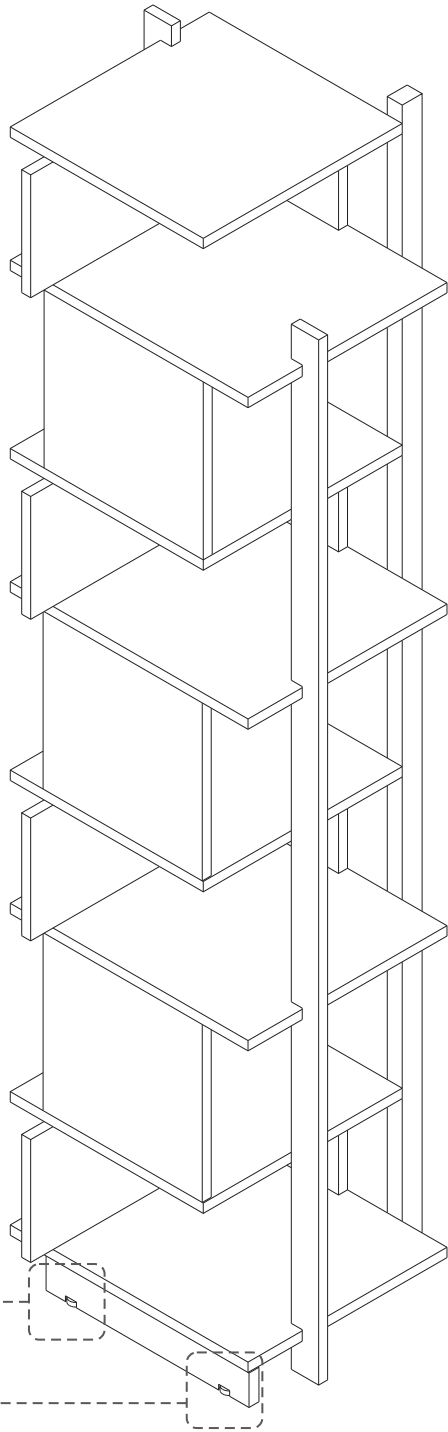


# Ethnicraft

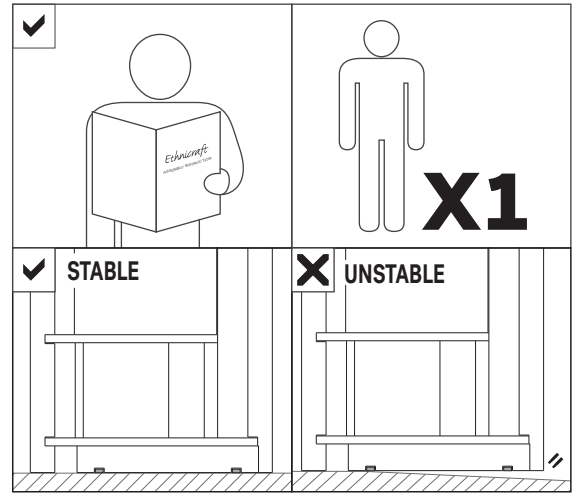
## 10115 TEAK ABSTRACT COLUMN RACK

### ASSEMBLY INSTRUCTION FOR ADJUSTING LEVELER

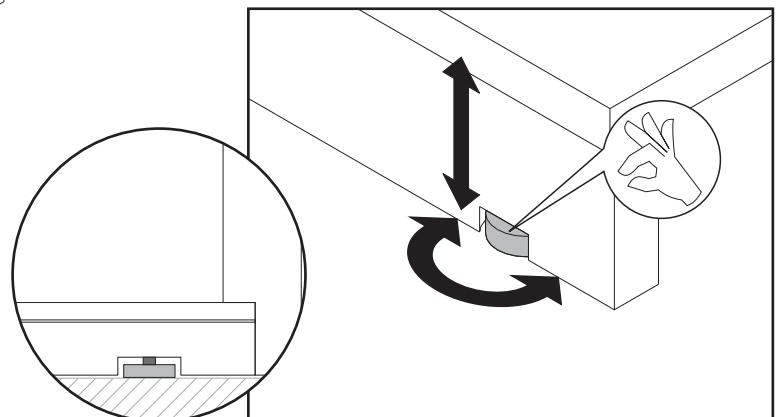


LEVELER POSITION

#### NOTICE



#### ADJUST LEVELER



**NOTE :**  
**THIS IS A COMPULSORY ACTION TO ENSURE**  
**A STABLE FOOTHOLD FOR THE RACK!**