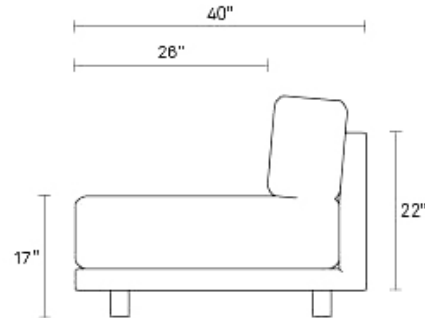
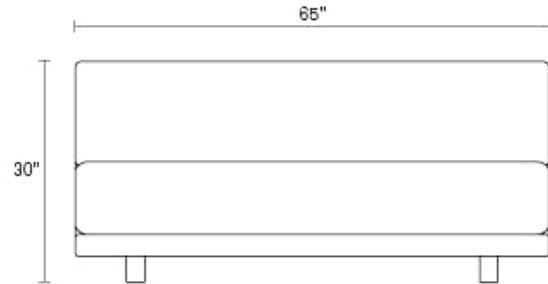


Sunday 65" Armless Sofa



Sure, you can multitask on Sunday. But why, when you can just melt instead? Refined and well-bred enough for the poshest of interiors, the Sunday collection is designed to look good, but still be all about the comfort, baby! A simple recessed leg eliminates distraction and lets the cozy cushions and thin frame levitate. On Sunday, you rest. Shop the entire Sunday Collection



AGNEW GREY



MAKADA CHARCOAL



SANFORD BLACK



SANFORD LINEN

Product Details

- Sturdy kiln-dried American hardwood frame, doweled and corner blocked for added strength
- Webbing provides durable support beneath cushions
- Cushions are surrounded by high resiliency foam, then wrapped in feather and down to provide a plush, comfortable seat, and with use will take on a more casual appearance. To promote even wear over time, we recommend fluffing and flipping cushions frequently after use
- Extra deep seat and lower profile lends a loungey and laidback feel
- Agnew Grey: 54% Cotton / 29% Recycled Cotton / 17% Polyester blend upholstery | 100,000 Double Rubs
- Makada Charcoal: 80% Polyester / 20% Cotton blend upholstery | 50,000 Double Rubs
- Sanford Black / Linen: 63% Polyester / 37% Acrylic blend upholstery | 50,000 Double Rubs
- Some assembly required

SN1-NARMSF-GY

SN1-SFNARM-CL

SN1-SFNARM-BK

SN1-SFNARM-LN

AGNEW GREY

MAKADA CHARCOAL

SANFORD BLACK

SANFORD LINEN

\$2,599.00

\$2,599.00

\$2,599.00

\$2,599.00

Are you a trade professional? Visit [bludot.com/trade-contract](https://www.bludot.com/trade-contract)