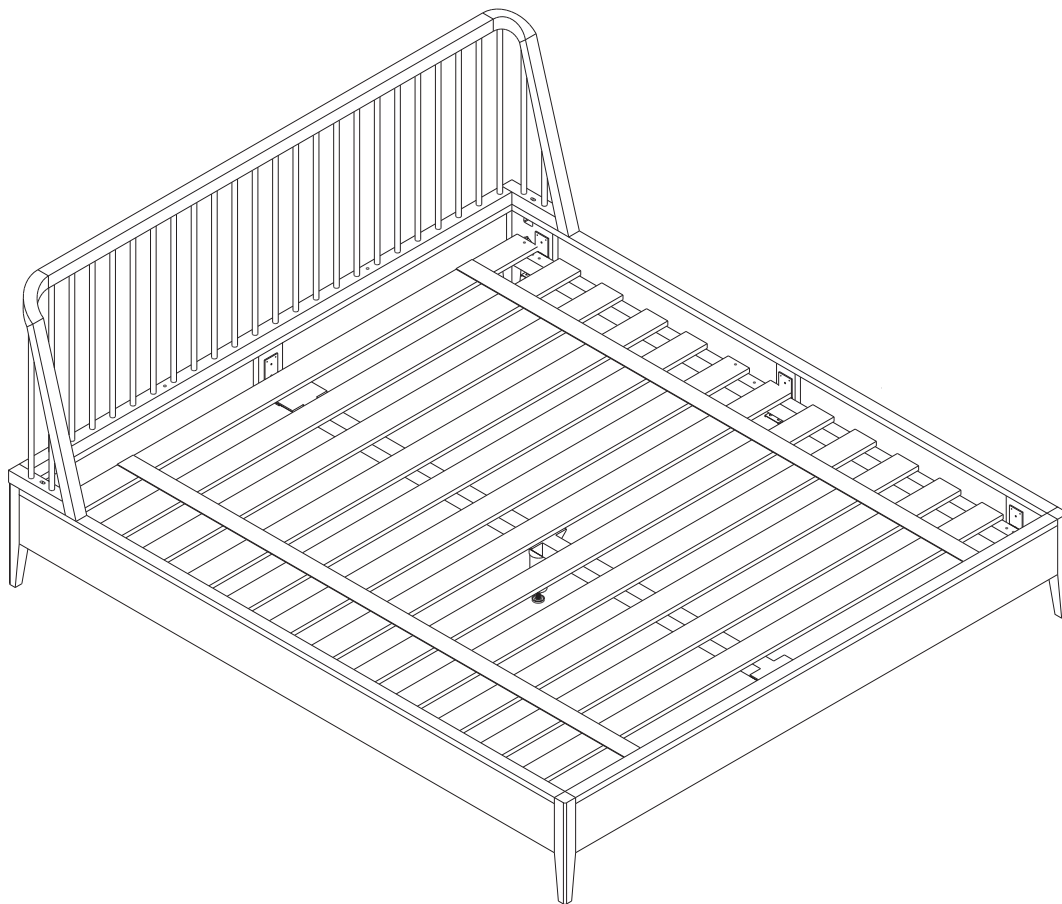


## ASSEMBLY INSTRUCTIONS FOR BED INSTALLATION

---

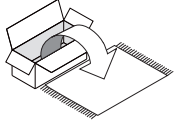
### SPINDLE BED - KING SIZE - WITH SLATS

CODE	DESCRIPTION
51248	OAK SPINDLE BED - US KING SIZE - WITH SLATS 193/203/97
45188	WALNUT SPINDLE BED - US KING SIZE - WITH SLATS 193/203/97



## SPINDLE BED - KING SIZE - WITH SLATS ASSEMBLY INSTRUCTIONS FOR BED INSTALLATION

### NOTE

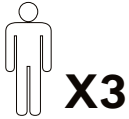


CAREFULLY OPEN THE CARTON, REMOVE CONTENTS AND LAY OUT ON CARPET OR THE PACKAGING CARTON BOX OR OTHER PROTECTIVE SURFACE TO AVOID DAMAGE.

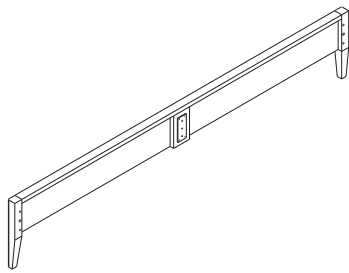
CHECK PACKAGE CONTENTS TO ASSURE ALL THE NECESSARY HARDWARE AND PARTS ARE RECEIVED UNDAMAGE. DO NOT USE DAMAGED OR DEFECTIVE PARTS/ HARDWARE. CONTACT ETHNICRAFT FOR ANY MISSING PART AND OR HARDWARE.



READ THE ASSEMBLY INSTRUCTION BEFORE INSTALLATION AND CAREFULLY FOLLOW THE INSTRUCTION GIVEN. SEEK THE ADVICE OF A PROFESSIONAL IF YOU ARE NOT FAMILIAR WITH THESE INSTALLATION OR HAVE ANY DOUBTS ABOUT THE SAFETY OF THIS INSTALLATION.

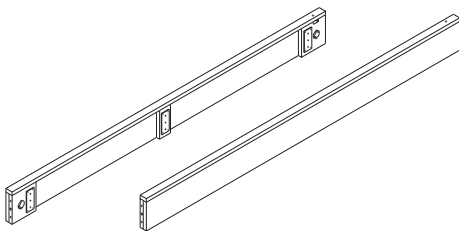


IT IS ADVISABLE TO DO THIS ASSEMBLY WITH MINIMUM OF 3 PERSONS.



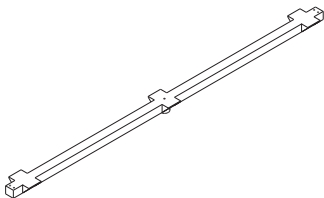
**(C) FOOTBOARD 1piece**

CODE	DESCRIPTION
P4537	OAK FOOTBOARD FOR US KING BED
P7119	WALNUT FOOTBOARD FOR US KING BED



**(D) SIDERAIL 1set (left & right)**

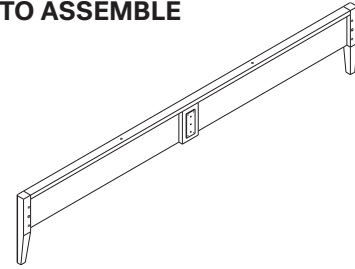
CODE	DESCRIPTION
P4539	OAK SIDERAIL FOR US KING BED
P7114	WALNUT SIDERAIL FOR US KING BED



**(E) CENTER SUPPORT 1piece**

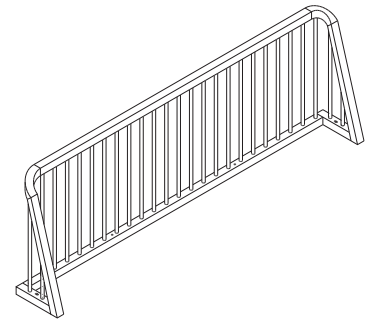
CODE	DESCRIPTION
H1166	CENTER SUPPORT FOR US KING BED

### PARTS TO ASSEMBLE



**(A) HEADBOARD 1piece**

CODE	DESCRIPTION
P4542	OAK HEADBOARD FOR US KING BED
P7118	WALNUT HEADBOARD FOR US KING BED



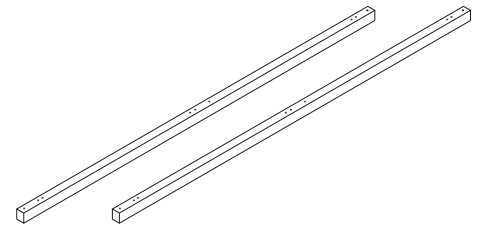
**(B) BED HEAD 1piece**

CODE	DESCRIPTION
P4544	OAK BED HEAD FOR US KING BED
P7120	WALNUT BED HEAD FOR US KING BED



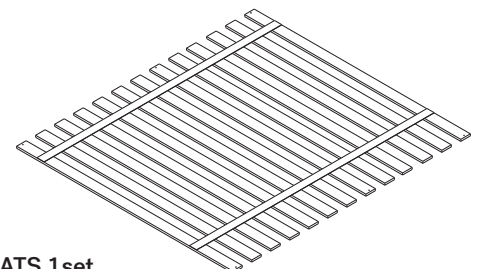
**(F) CENTER LEG 1piece**

CODE	DESCRIPTION
H1261	CENTER LEG FOR US BED



**(G) SLATS SUPPORTS 1set (left & right)**

CODE	DESCRIPTION
P4584	SLATS SUPPORT FOR US KING BED


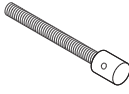
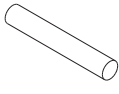
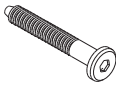

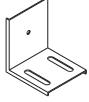


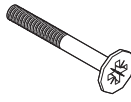






**(H) SLATS 1set**

CODE	DESCRIPTION
P8011	MAESOPSIS SLATS FOR US KING BED

**SPINDLE BED - KING SIZE - WITH SLATS**  
**ASSEMBLY INSTRUCTIONS FOR BED INSTALLATION**

**HARDWARE ENCLOSED**

 <b>H0667</b> <b>HALFMOON WASHER</b> <b>(4pcs)</b>	 <b>H0666</b> <b>HALFMOON BOLT</b> <b>M8x100</b> <b>(4pcs)</b>	 <b>H0308</b> <b>DOWEL</b> <b>Ø12x50 mm</b> <b>(8pcs)</b>	 <b>H0742</b> <b>JCBC SCREW</b> <b>M6x70</b> <b>(4pcs)</b>	 <b>H0228</b> <b>LONG NUT</b> <b>M6</b> <b>(2pcs)</b>
 <b>H0951</b> <b>L BRACKET</b> <b>(8pcs)</b>	 <b>H0949</b> <b>JCBC SCREW</b> <b>M6x6</b> <b>(8pcs)</b>	 <b>H0757</b> <b>JF SCREW</b> <b>M6x50</b> <b>(5pcs)</b>	 <b>H0747</b> <b>JF SCREW</b> <b>M6x80</b> <b>(18pcs)</b>	
 <b>H0987</b> <b>SPRING WASHER</b> <b>M6</b> <b>(2pcs)</b>	 <b>H0307</b> <b>WASHER</b> <b>M6x18</b> <b>(2pcs)</b>	 <b>H0744</b> <b>WASHER</b> <b>M6</b> <b>(22pcs)</b>	 <b>H0746</b> <b>NUT</b> <b>M6</b> <b>(22pcs)</b>	

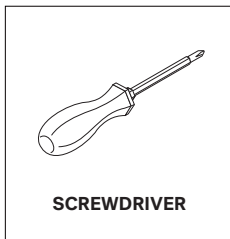
**TOOLS**

(Included in packaged)

 <b>H0865</b> <b>L KEY</b>	 <b>H0741</b> <b>HALFMOON KEY</b>	 <b>H0875</b> <b>WRENCH</b>
---	--	--

**TOOL**

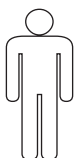
(Not included in packaged)



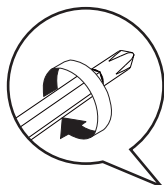
**SYMBOLS**



**DIRECTION**



**NUMBER OF PERSONS NEEDED**



**USE SCREWDRIVER TO TIGHTEN**



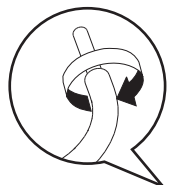
**USE WRENCH TO TIGHTEN**



**USE L KEY TO TIGHTEN**



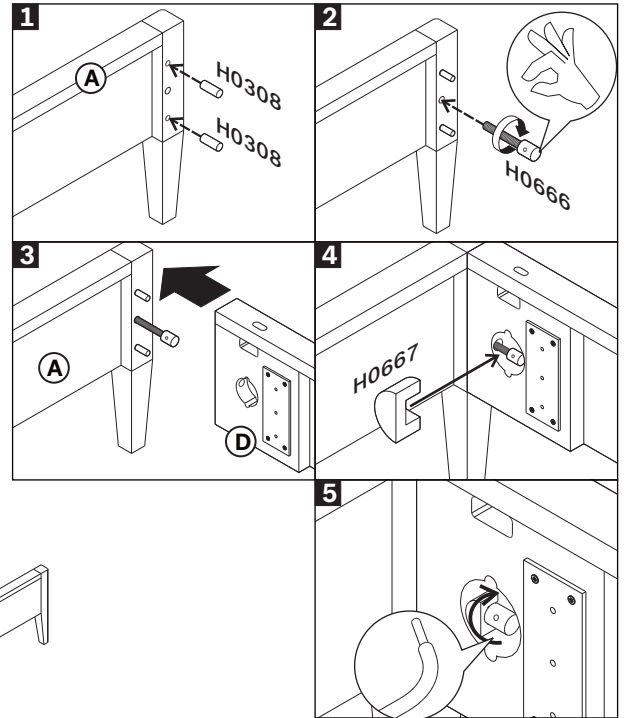
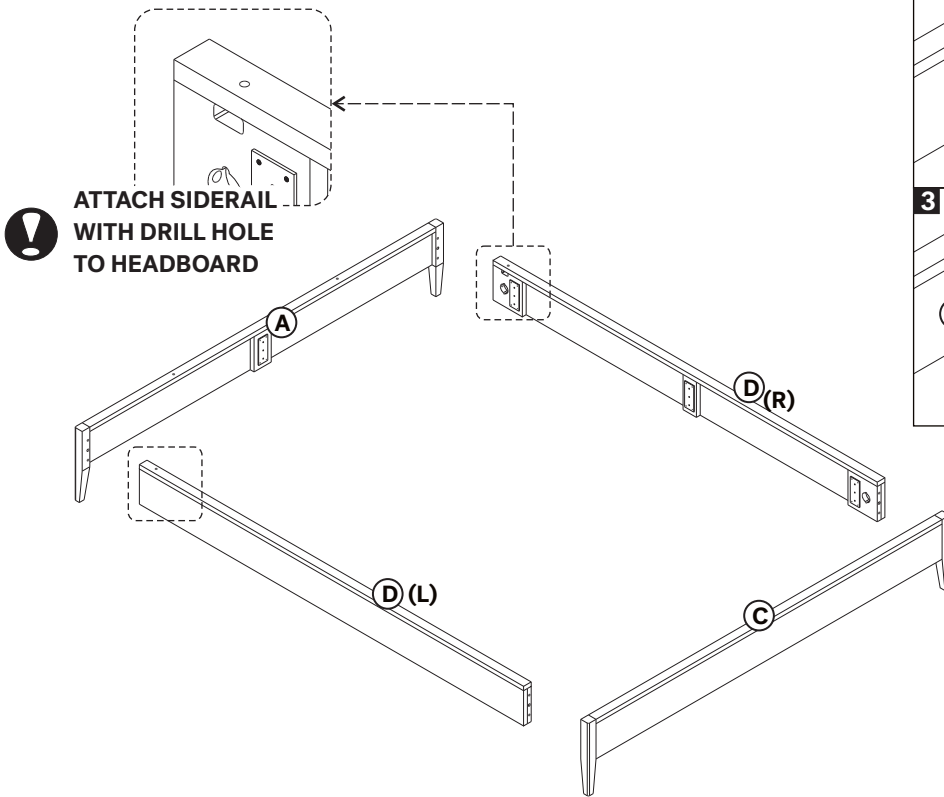
**USE HAND**



**USE HALFMOON KEY TO TIGHTEN**

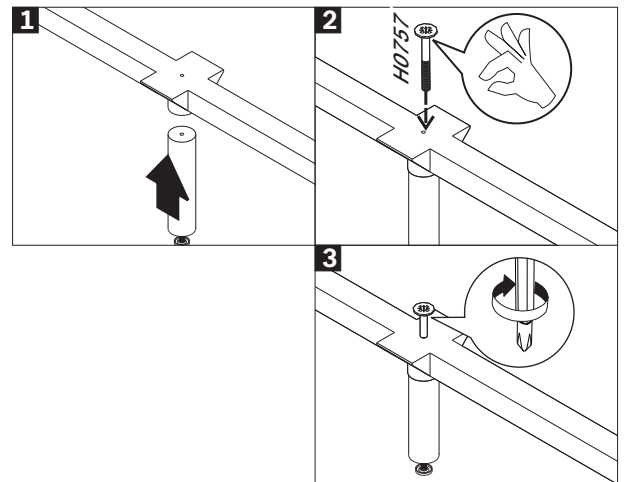
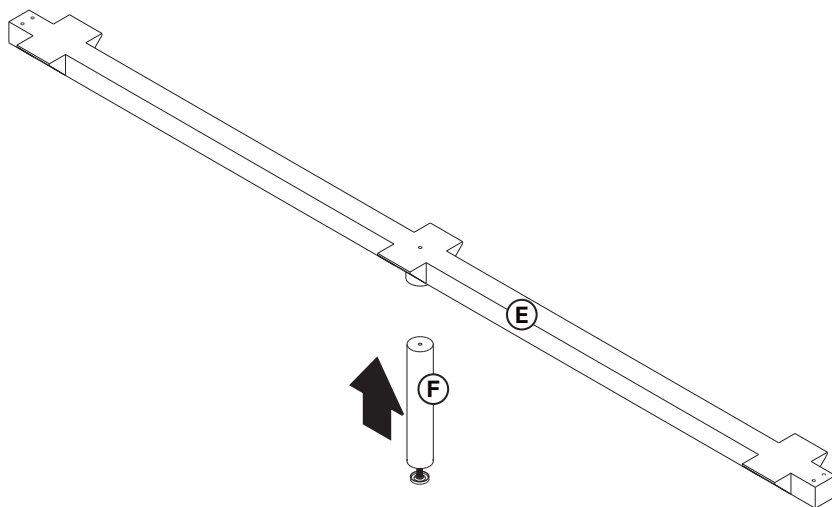
SPINDLE BED - KING SIZE - WITH SLATS  
 ASSEMBLY INSTRUCTIONS FOR BED INSTALLATION

**A. CONNECTING SIDERAIL AND HEAD / FOOTBOARD**



- USE DOWEL Ø12x50 (8X)
- USE HALFMOON BOLT M8x100 (4X)
- USE HALFMOON WASHER (4X)
- TIGHTEN FULLY

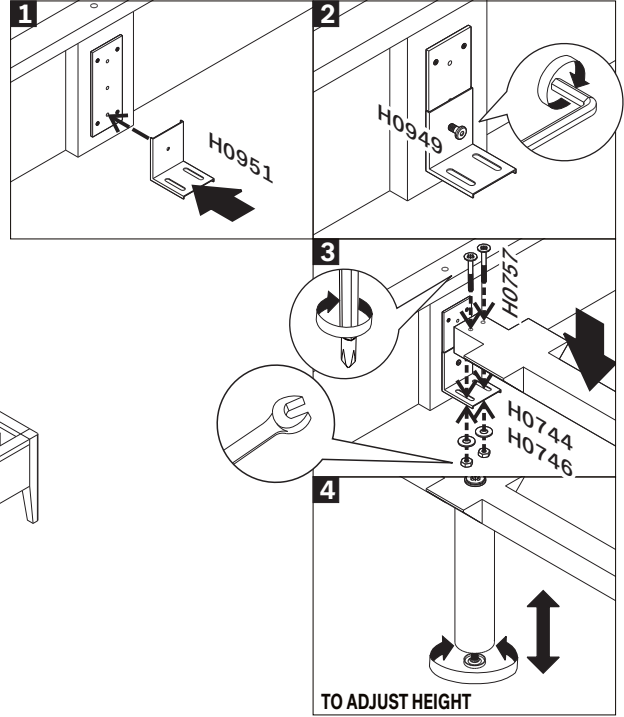
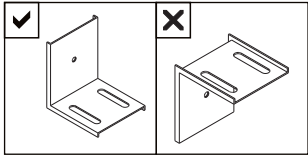
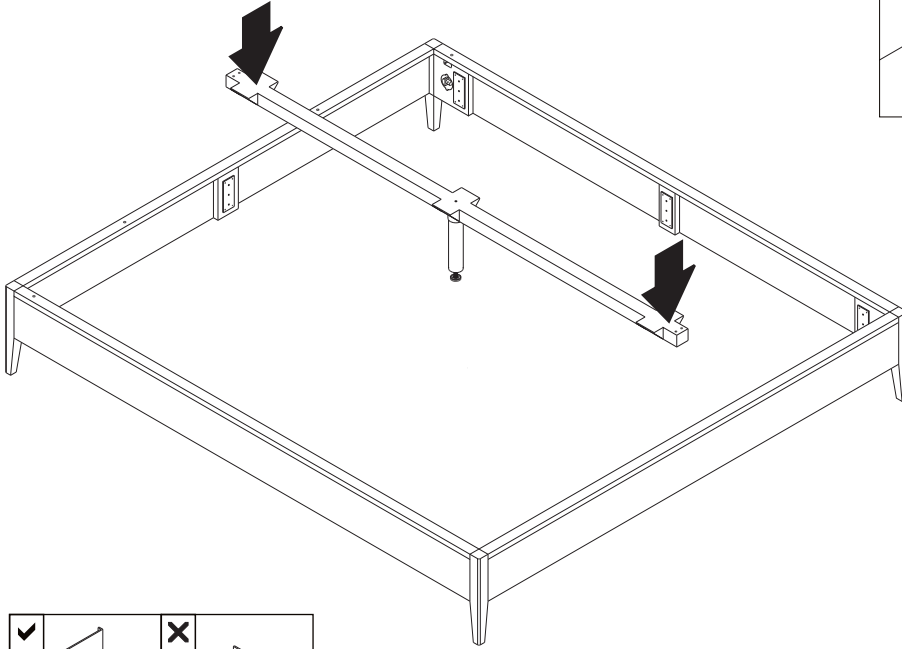
**B. CONNECTING CENTER LEG TO CENTER SUPPORT**



- USE JF SCREW M6x50 (1X)
- TIGHTEN FULLY

## SPINDLE BED - KING SIZE - WITH SLATS ASSEMBLY INSTRUCTIONS FOR BED INSTALLATION

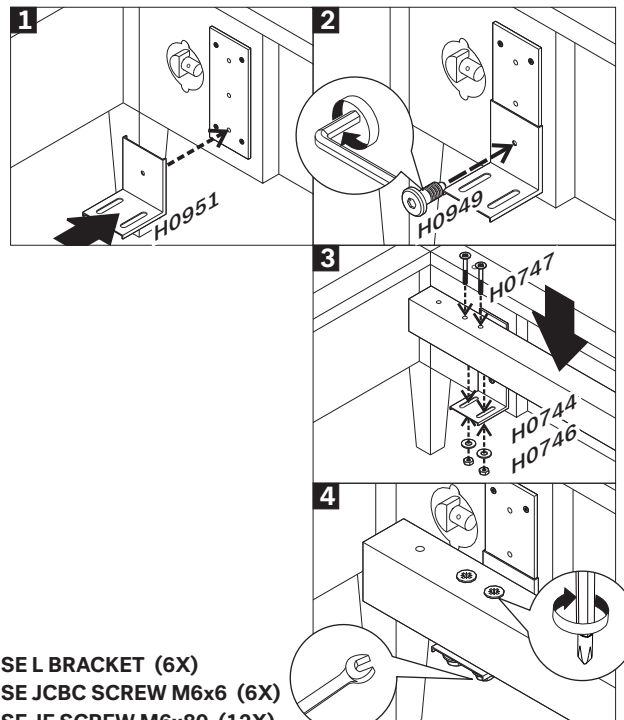
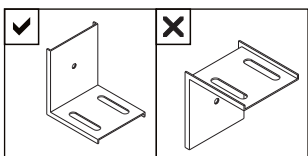
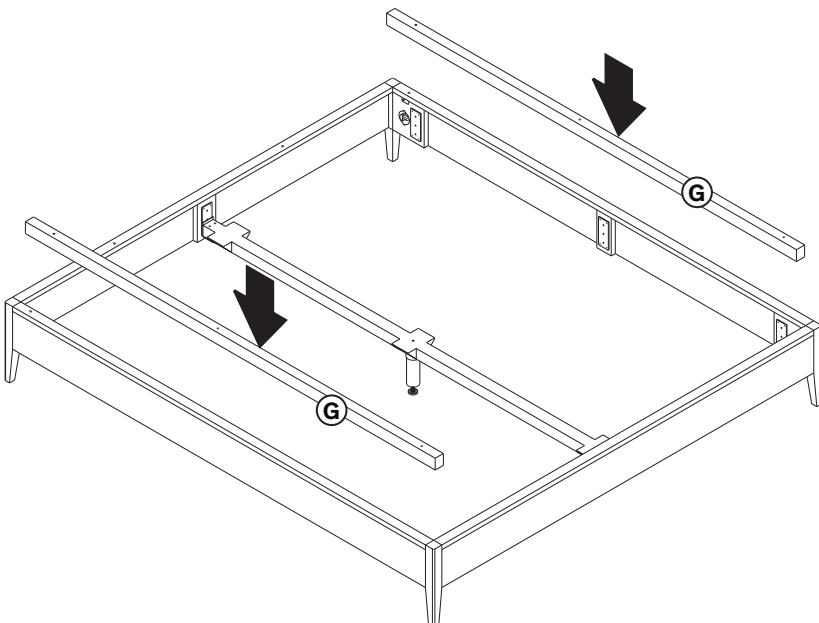
### C. INSTALLING CENTER SUPPORT



- USE L BRACKET (2X)
- USE JCBC SCREW M6x6 (2X)
- USE JF SCREW M6x50 (4X)
- USE WASHER M6 (4X)
- USE NUT M6 (4X)
- TIGHTEN FULLY ALL SCREWS



### D. INSTALLING SLAT SUPPORTS



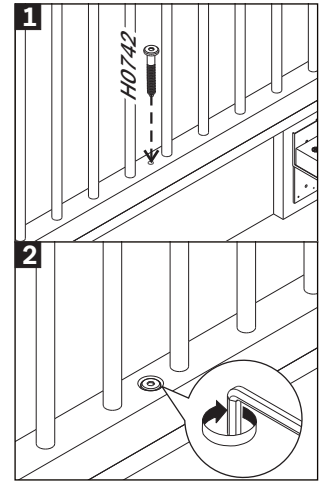
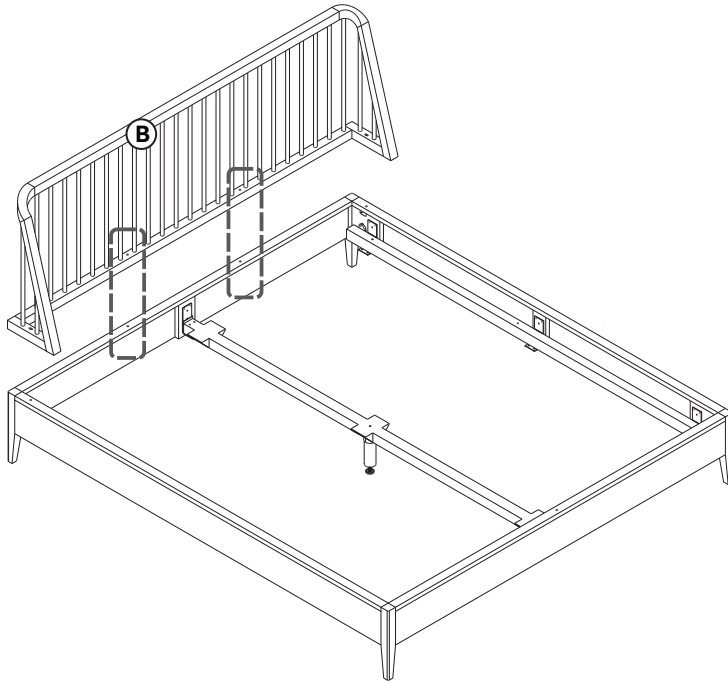
- USE L BRACKET (6X)
- USE JCBC SCREW M6x6 (6X)
- USE JF SCREW M6x80 (12X)
- USE WASHER M6 (12X)
- USE NUT M6 (12X)
- TIGHTEN FULLY ALL SCREWS
- INSTALLING SLAT SUPPORTS AT THE SAME LEVEL WITH CENTER SUPPORT



SPINDLE BED - KING SIZE - WITH SLATS  
ASSEMBLY INSTRUCTIONS FOR BED INSTALLATION

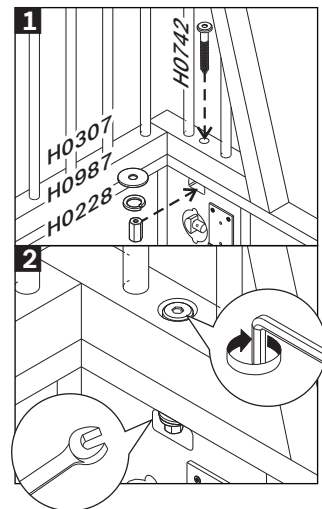
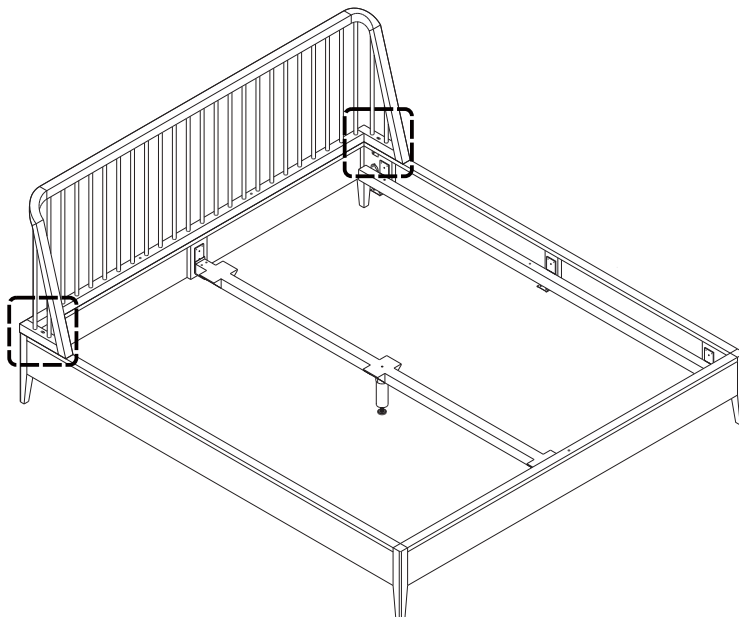
**E. INSTALLING BED HEAD**

INSTALL SCREW ON THE MIDDLE SIDE FIRST



- ! - USE JCBC SCREW M6x70 (2X)
- DO NOT FULLY TIGHTEN

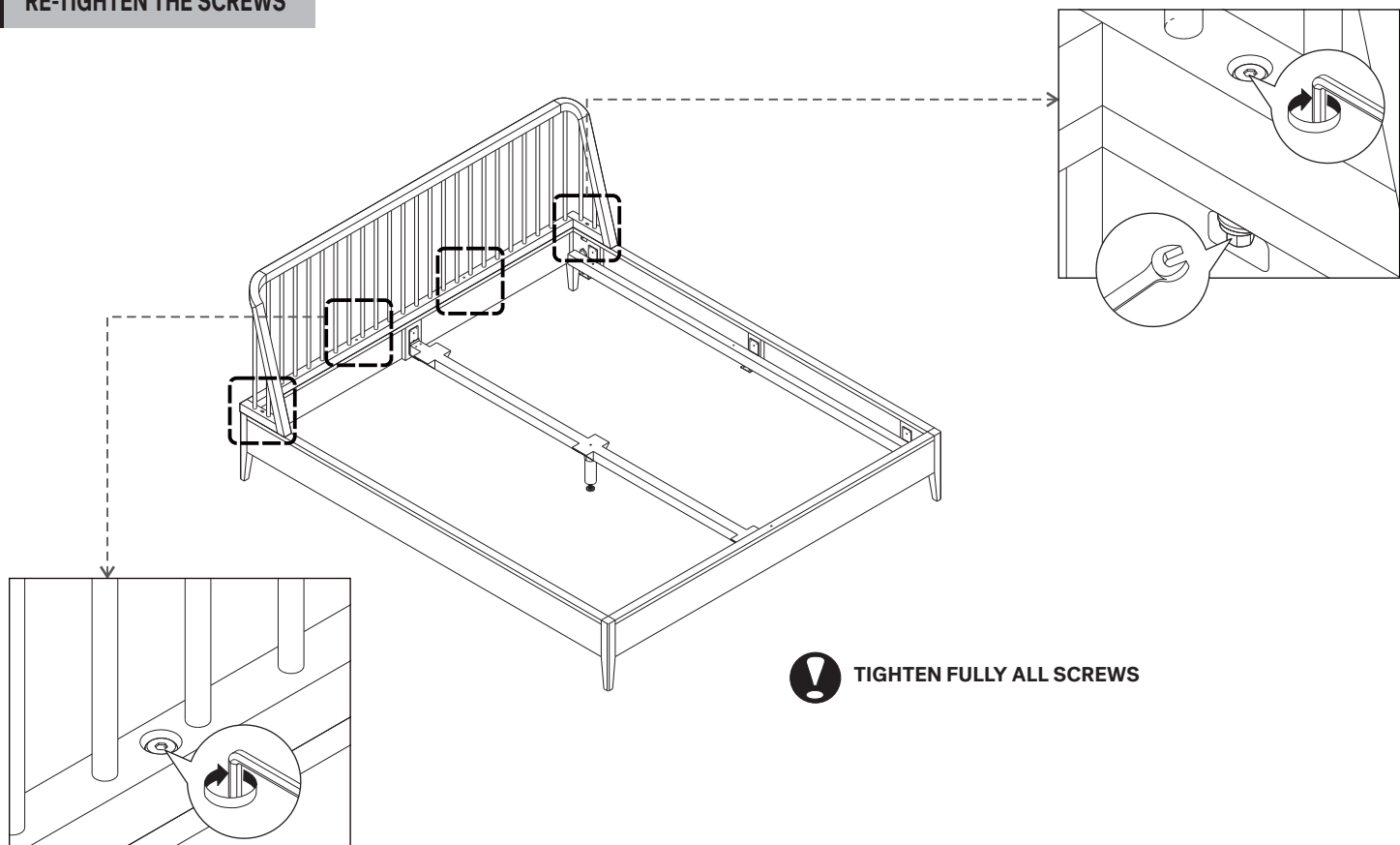
THEN INSTALL SCREW ON THE OTHER SIDE



- ! - USE JCBC SCREW M6x70 (2X)
- USE WASHER M6x18 (2X)
- USE SPRING WASHER M6 (2X)
- USE LONG NUT M6 (2X)
- DO NOT FULLY TIGHTEN

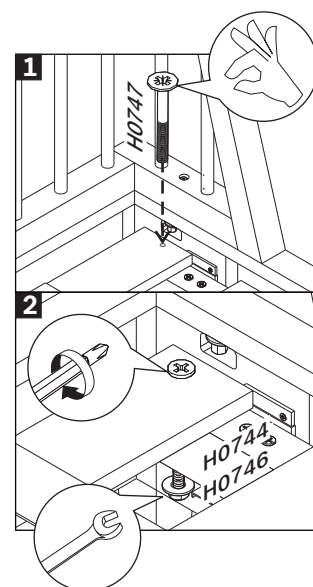
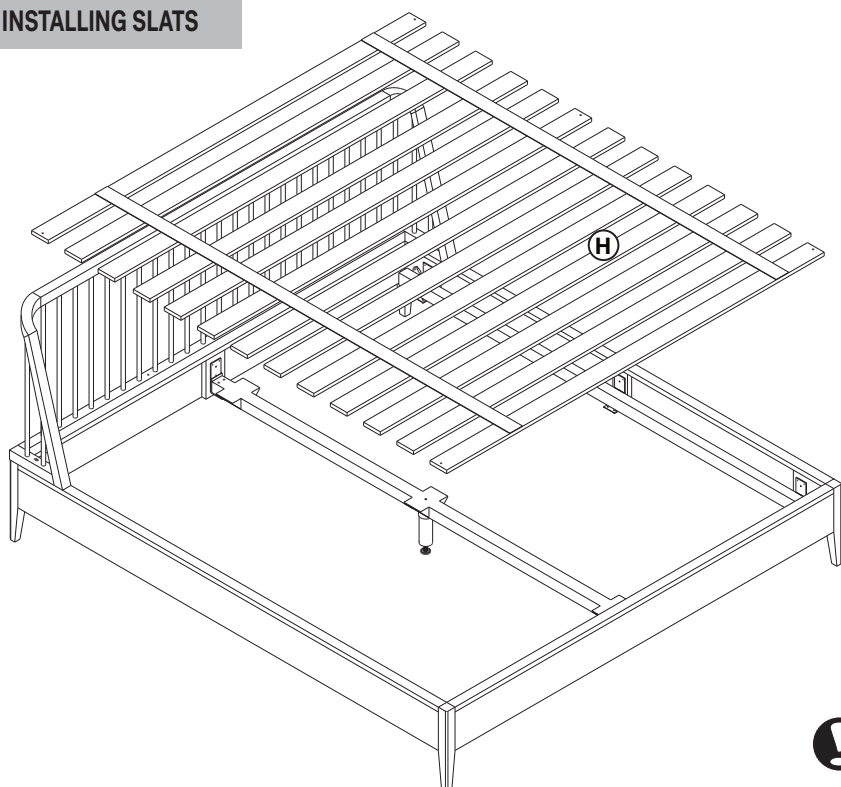
SPINDLE BED - KING SIZE - WITH SLATS  
 ASSEMBLY INSTRUCTIONS FOR BED INSTALLATION

**F. RE-TIGHTEN THE SCREWS**



**! TIGHTEN FULLY ALL SCREWS**

**G. INSTALLING SLATS**



- USE JF SCREW M6x80 (6X)
- USE WASHER M6 (6X)
- USE NUT M6 (6X)
- SLATS TO BE ASSEMBLED ARE NUMBER 1, 6, AND 13
- TIGHTEN FULLY ALL SCREWS