

## S-Table Dining Table - Rectangular Extendable

Designed by Marcel Gascoin - 1953



**ITEM NUMBER**

25159

**DESCRIPTION**

The S-Table designed in 1953 is part of a unified collection that also includes the B-Table, C-Chair and Trèfle Stool. with its simple tapered legs, sturdy frame and space-efficient rectangular tabletop – extends by a meter, adding an extra two place settings on either end, meaning it can now seat up to ten. The tabletop splits across the center and slides apart, creating space for two insert leaves, which are stored underneath when not in use. The entire table, even the extending mechanism, is made from solid and veneered oak or walnut.

### Materials & Finishes

**BASE FINISH**

Oak Matt Lacquered / American Walnut Matt Lacquered

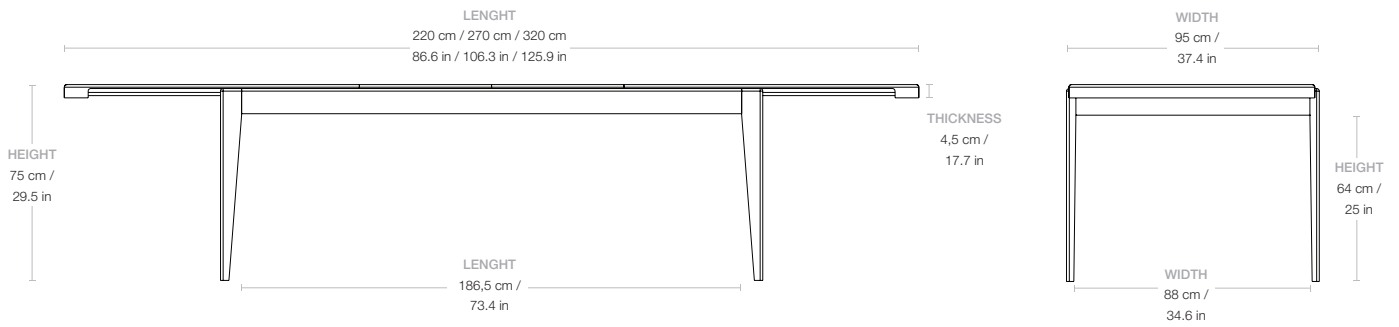


**MATERIALS**

Table top: Matt lacquered oak veneer / Matt lacquered American walnut veneer  
Structure and legs: Matt lacquered solid oak / Matt lacquered solid American walnut

---

## Dimensions



<b>WIDTH</b>	95 cm / 37.4 in
<b>LENGHT</b>	220 cm / 270 cm / 320 cm - 86.6 in / 106.3 in / 125.9 in
<b>HEIGHT</b>	75 cm / 29.5 in
<b>SEATING HEIGHT CLEARANCE</b>	64 cm / 25 in
<b>SEATING WIDTH CLEARANCE</b>	186.5 cm / 73.4 in
<b>TABLE TOP THICKNESS</b>	4.5 cm / 1.7 in

---

## Weight

<b>TOTAL WEIGHT</b>	66 kg / 145.5 lb
---------------------	------------------

---

## Packaging

<b>NUMBER OF PARCELS</b>	1
<b>PACKAGING LENGTH</b>	229 cm / 90.1 in
<b>PACKAGING WIDTH</b>	104 cm / 40.9 in
<b>PACKAGING HEIGHT</b>	29 cm / 11.4 in
<b>PACKAGING WEIGHT</b>	10 kg / 22 lb
<b>GROSS WEIGHT</b>	76 kg / 167.5 lb

---

## Test & Certifications

<b>TSCA</b>	Yes
-------------	-----

---

**SUSTAINABILITY**

Our products are made to last however parts can be separated and sorted for recycling, 100% of our wood products are manufactured to comply with EUTR  
The S-Table is manufactured with FSC certified Oak

---

**Glides****PLASTIC GLIDES**

Included as standard

---

**KEY FEATURES**

- Fast track, shipped within 5 working days across Europe
  - Extendable table, extends by 1 meter
  - Can seat from 6 up to a maximum of 10 people
  - Flat packed
  - Maximum cantilever load (when fully extended) 40kg /167.5lb according to EN 1730
-

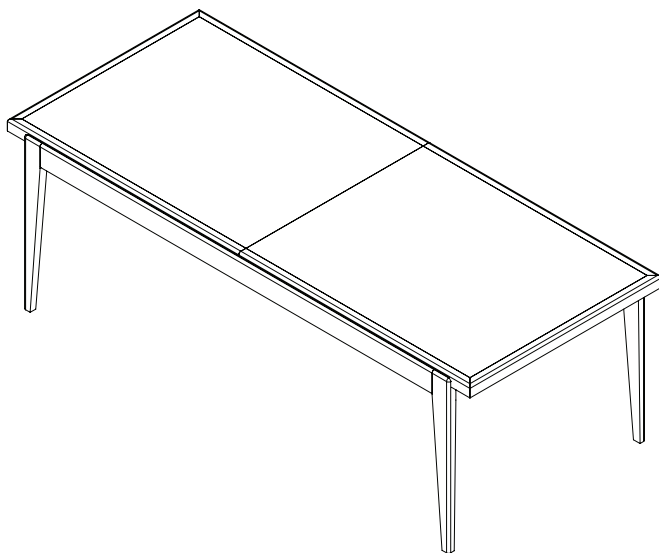
# GUBI

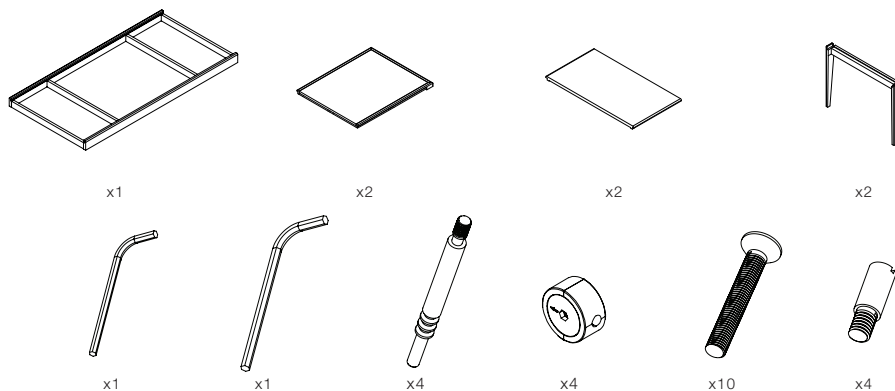
ASSEMBLY INSTRUCTIONS

*for*

S-Table Dining Table  
Extendable

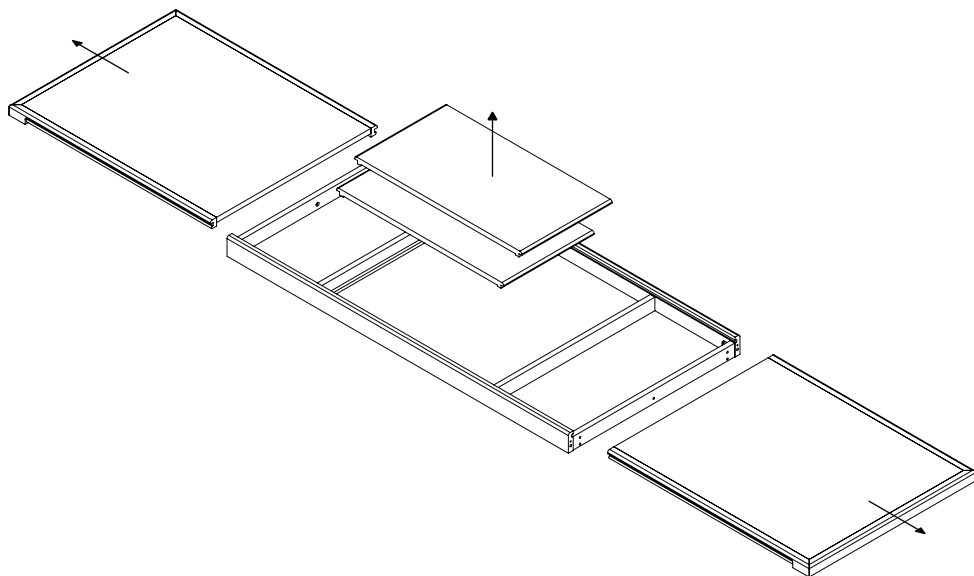
---





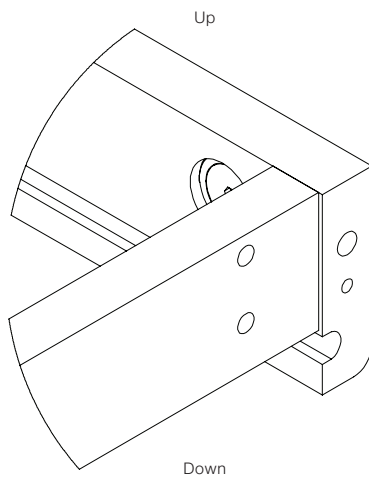
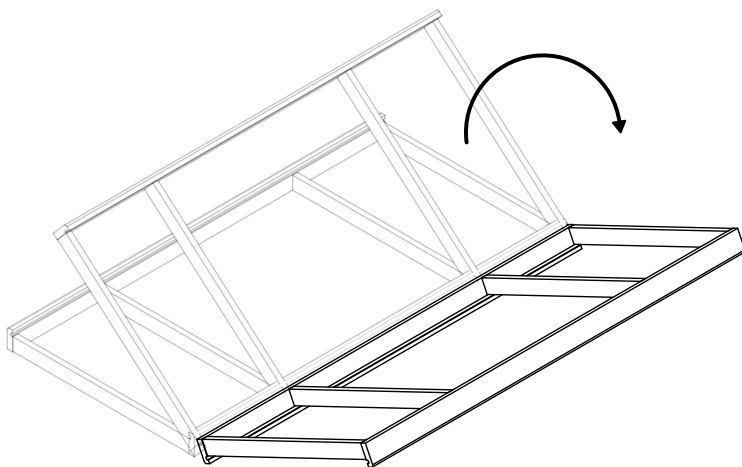
### 1.

Unpack the table, removing the sliding tops from the frame.



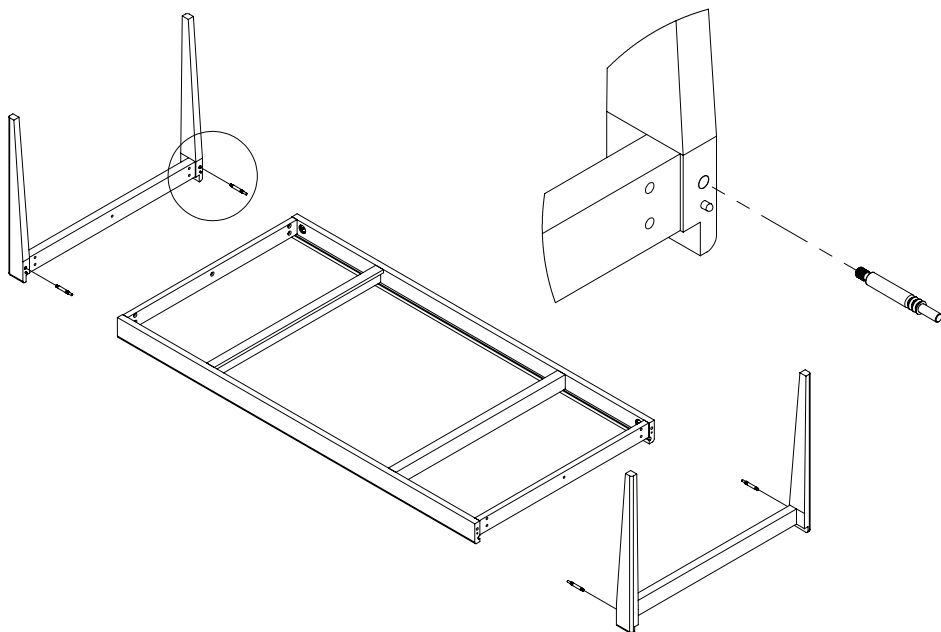
## 2.

Turn the frame over.



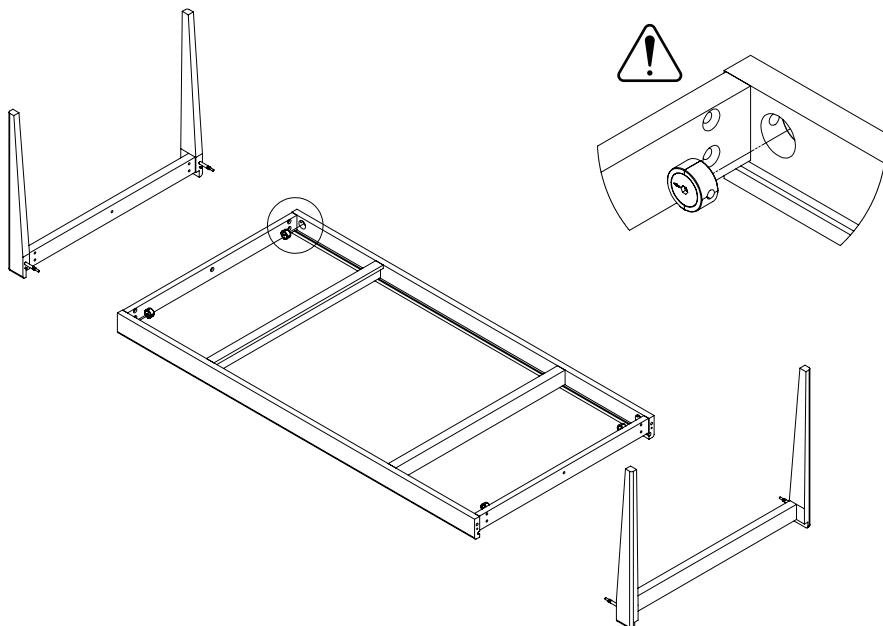
### 3.

Screw the insert.



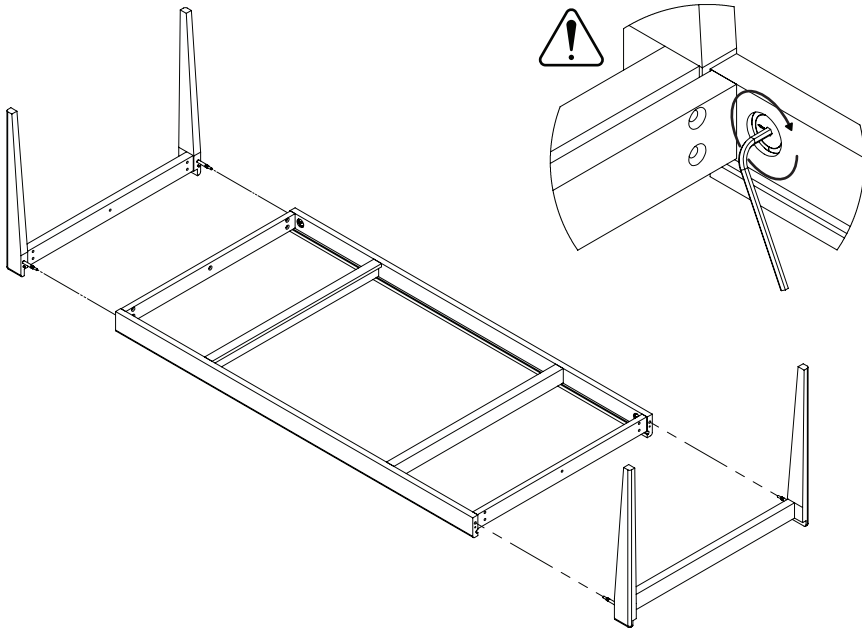
### 4.

Fully insert the disc, in the right direction as shown in the figure.



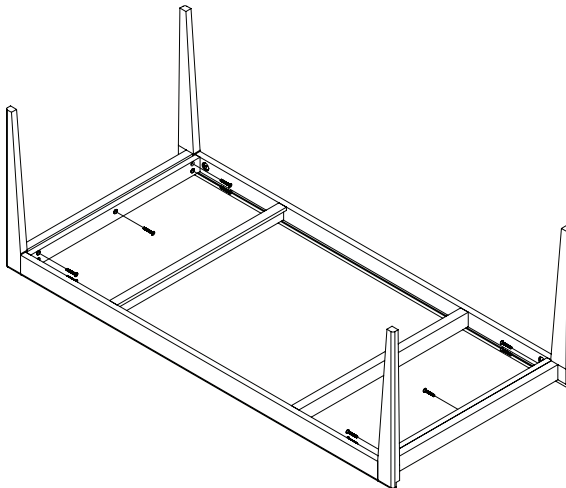
## 5.

Insert the legs all the way in, then tight the disc, which must pull the insert towards the frame.



## 6.

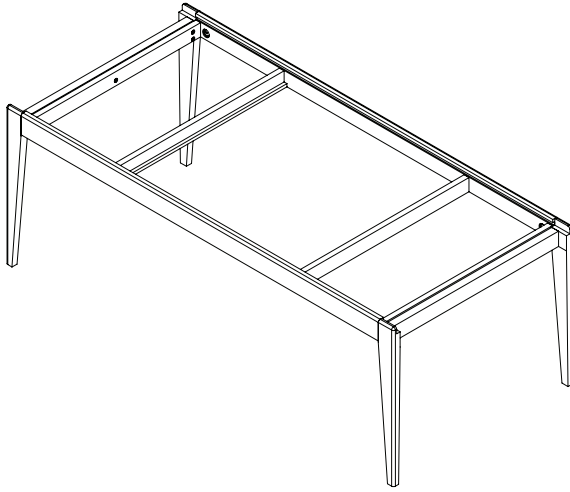
Connect the legs to the frame using supplied screws.





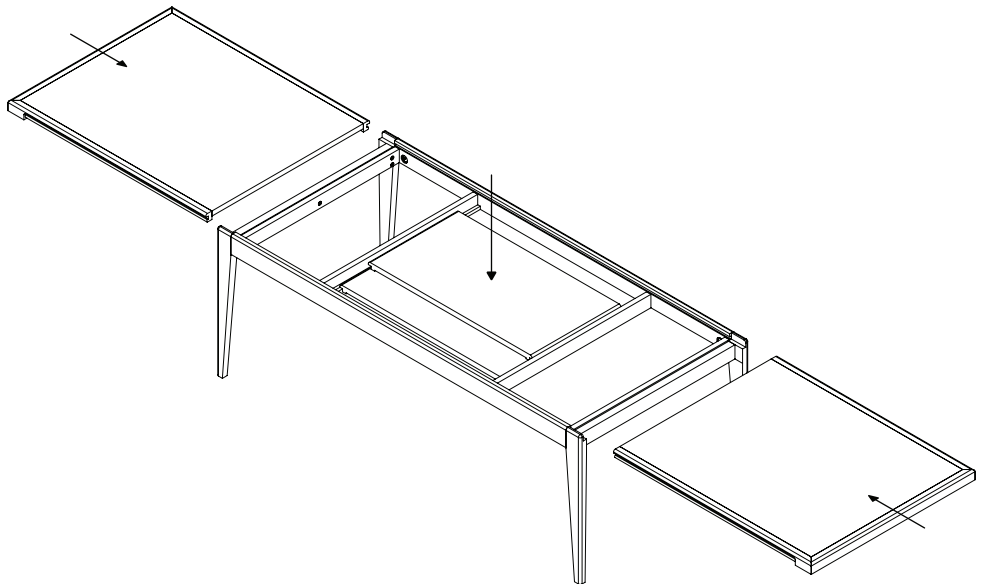
**7.**

Stand the table up.



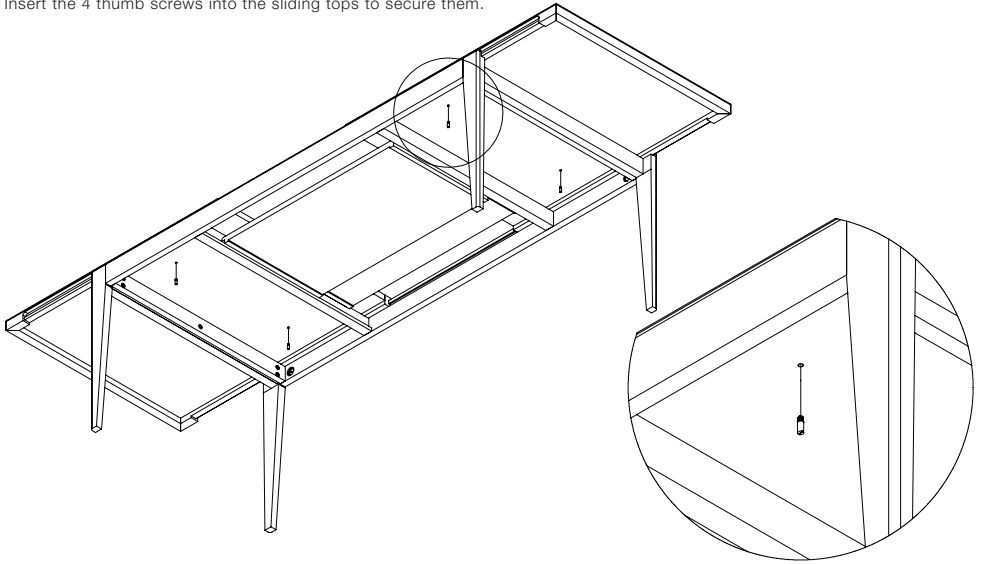
**8.**

Insert the loose tops and sliding tops.



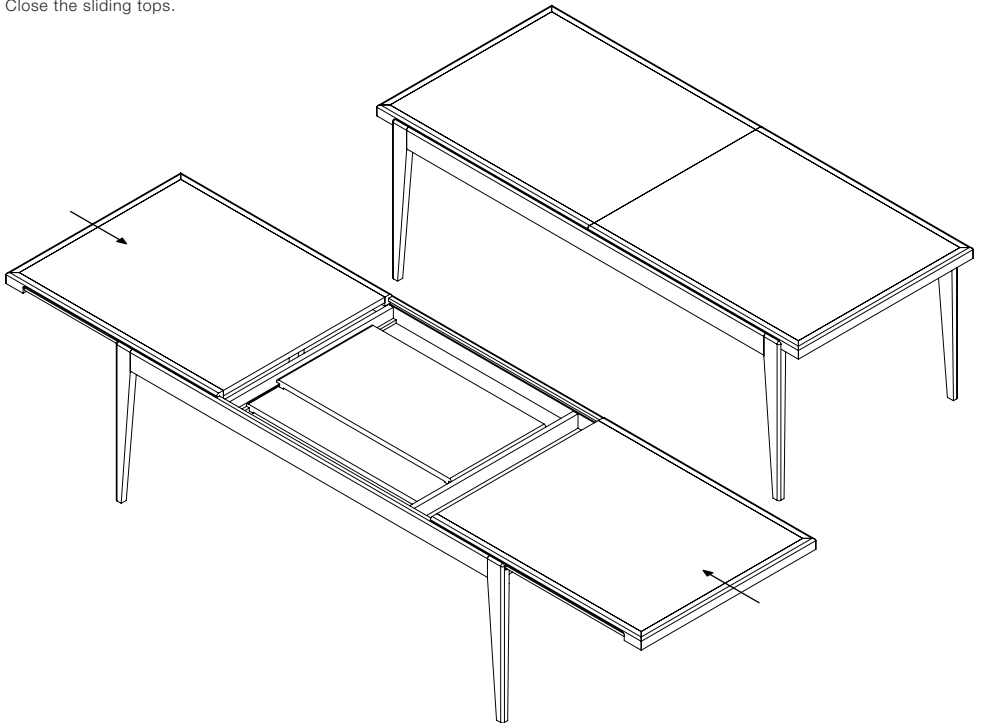
**7.**

Insert the 4 thumb screws into the sliding tops to secure them.



**8.**

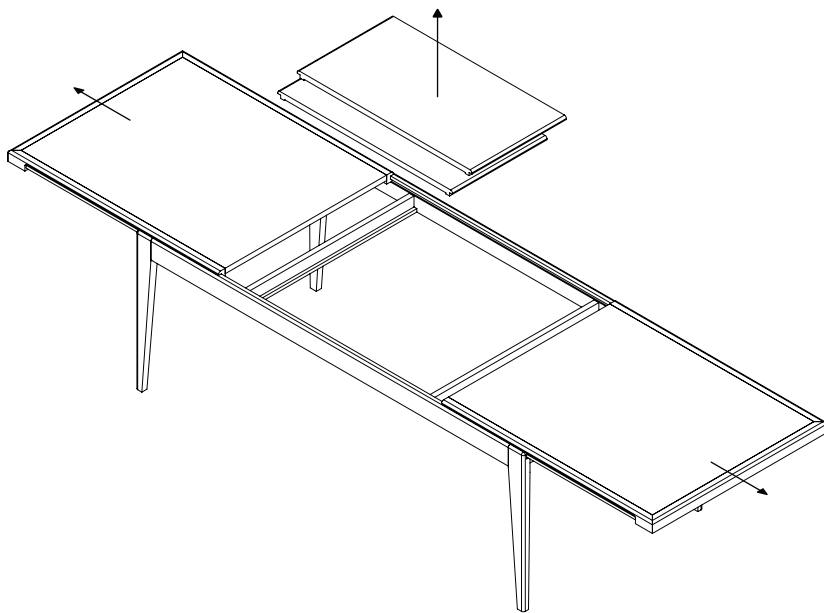
Close the sliding tops.



# Expanding the table

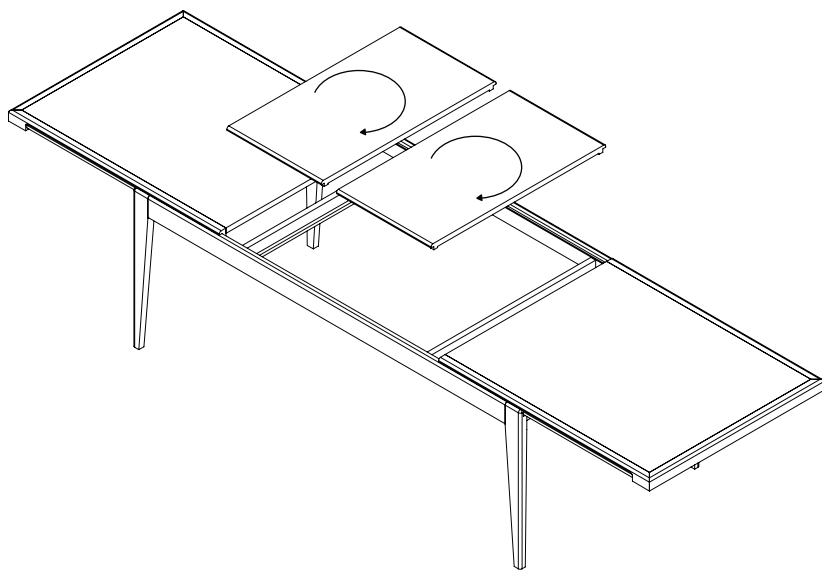
## 1.

Open the sliding tops and remove the loose tops.



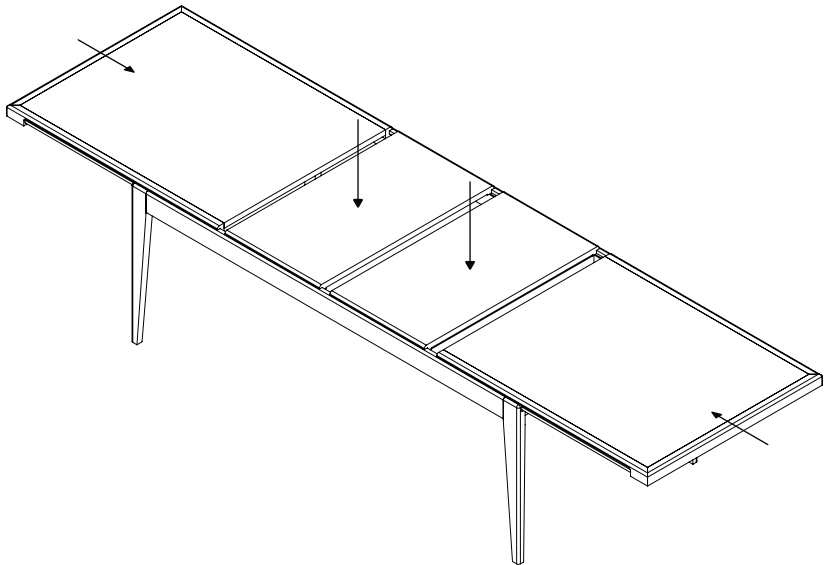
## 2.

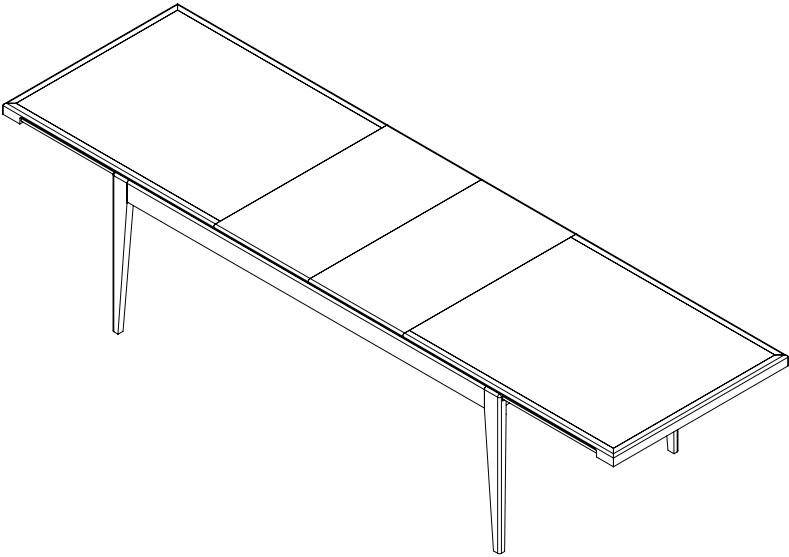
Rotate the loose tops.



### 3.

Place the loose tops on the frame and close the sliding tops.







## CARE INSTRUCTIONS

### VENEER

For dusting and light cleaning use a soft, dry cloth. For further cleaning, use a soft cloth that is firmly wrung in clean water for gently wiping the surface, and then immediately use a dry cloth to wipe the surface again. If more thorough cleaning is necessary, use a mild liquid soap dissolved in water on a firmly wrung cloth to wipe the frame. Afterwards, repeat the process with clean water as described above



For enquiries contact GUBI A/S - CVR: 17940384  
Klubensvej 7-9, 2150 Nordhavn, Copenhagen, Denmark  
T +45 69 15 60 60 – [gubi@gubi.com](mailto:gubi@gubi.com)  
GUBI.COM

Assembly Instructions S-Table Dining Table Extendable.

---