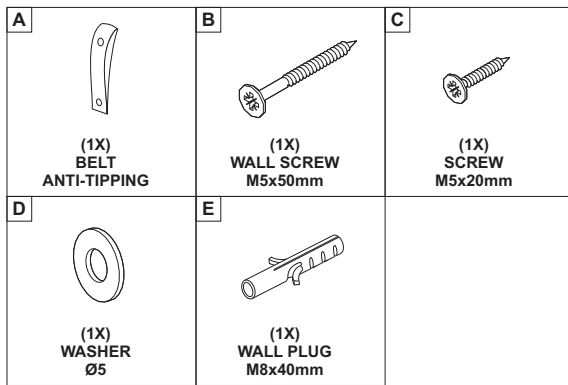


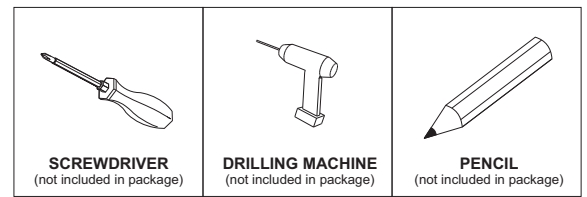
Ethnicraft

ASSEMBLY INSTRUCTION FOR ANTI-TIPPING INSTALLATION

HARDWARE ENCLOSED



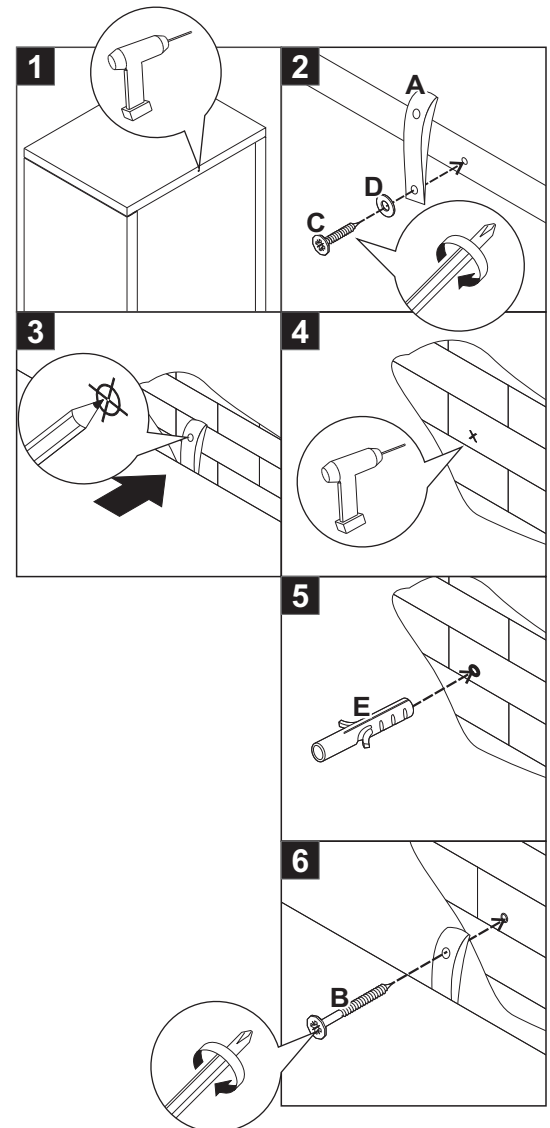
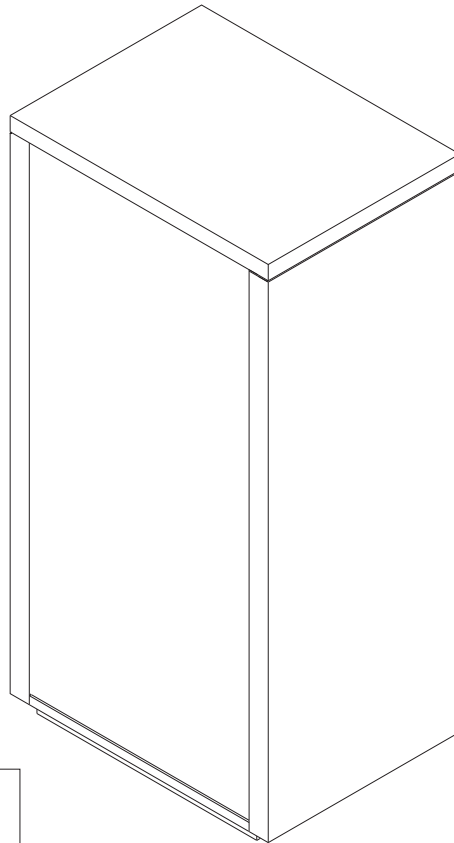
TOOLS



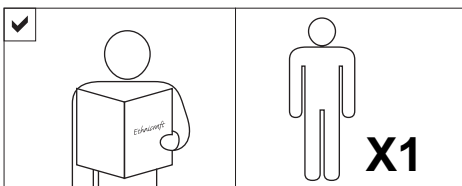
INSTALLING ANTI-TIPPING SYSTEM



AS WALL MATERIALS VARY,
THE SCREW INCLUDED ARE FOR BRICK WALL.
FOR ADVICE ON SUITABLE SCREW SYSTEMS,
CONTACT YOUR LOCAL SPECIALISED DEALER.



NOTICE



INSTRUCTION

1. Use Drilling machine for hole on item
2. Install anti-tipping belt (A), washer (D) with M5x20mm screw (C) into the pre-drilled hole on the top back frame of the cabinet.
3. Using a 1/4" diameter drill bit, drill the wall at the same level as the anti-tipping belt (A) on the cabinet. Install the wall plug (E) into the hole.
4. Connect the anti-tipping belt (A) with wall screw (B) into the wall plug (E).