

Product Fact Sheet

Rico Collection US



ferm
L I V I N G

Rico Chair - Fixed and Swivel Base

Design by ferm LIVING

Product details

Manufactured in Lithuania

Dimensions - Fixed Base

Height: 80 cm / 34.5 in
 Width: 53 cm / 20.9 in
 Depth: 50 cm / 19.7 in
 Seat height: 48 cm / 18.9 in
 Seat depth: 40 cm / 15.7 in
 Weight: 6.3 kg / 13.9 lb

Dimensions - Swivel Base

Height: 80 cm / 31.5 in
 Width: 67 cm / 26.4 in
 Depth: 67 cm / 26.4 in
 Seat height: 48 cm / 18.9 in
 Seat depth: 40 cm / 15.7 in
 Weight: 8.5 kg / 18.7 lb

Materials and construction

Backrest: Moulded foam with inner steel structure
 Seat: Moulded foam with inner wooden structure
 Frame: Power coated steel or polished aluminium
 Glides: Plastic or felt glides (felt glides optional for fixed base)
 FSC™ Mix certified wood

Care

Please see fermiving.com for care and maintenance instructions

Packsize

1

Attention

This seating is tested to meet relevant strength and durability standards
 Tests are based on a person's weight of 110 kg / 242 lb

Test

EN 16139:2013

Furniture - Strength, durability, stability and safety
 Requirements for non-domestic seating

Foam fire rating:

CAL117-2013 - pass
 BS 5852 Crib5 - on request



The mark of responsible forestry



Rico Chair
Fixed Base
Black Frame



Rico Chair
Swivel Base

Customisation Options

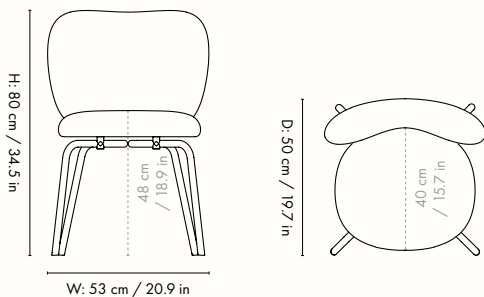
Fabric qualities



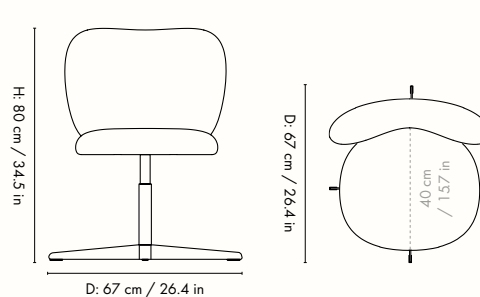
To see the specifications of each fabric and available colour assortment please go to the fabric and leather overview. Felt Glides must be ordered separately against price supplement

Measurements

Rico Chair - Fixed Base



Rico Chair - Swivel Base







Rico Chair with Castors

Design by ferm LIVING

Product details

Manufactured in Lithuania

Dimensions

Height: 76 - 87.5 cm / 29.9 - 34.3 in
 Width: 74 cm / 29.1 in
 Depth: 74 cm / 29.1 in
 Seat height: 44 - 55.5 cm / 17.3 - 21.9 in
 Seat depth: 40 cm / 15.7 in
 Weight: 8.5 kg / 18.7 lb

Materials and construction

Backrest: Moulded foam with inner steel structure
 Seat: Moulded foam with inner wooden structure
 Frame: Polished aluminium.
 FSC™ Mix certified wood

Care

Please see fermiving.com for care and maintenance instructions

Packsize

1

Attention

This seating is tested to meet relevant strength and durability standards
 Tests are based on a person's weight of 110 kg / 242 lb

Test

EN 16139:2013
 Furniture - Strength, durability, stability and safety
 Requirements for non-domestic seating

Foam fire rating:

CAL117-2013 - pass
 BS 5852 Crib5 - on request



Rico Chair
with Castors

Customisation Options

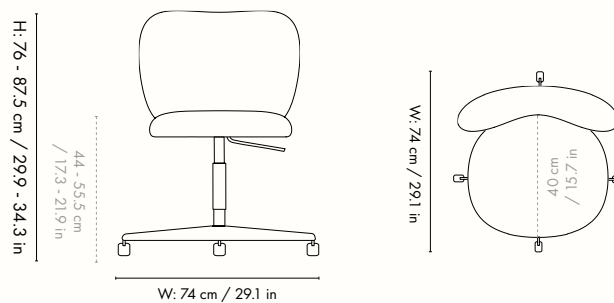
Fabric qualities



To see the specifications of each fabric and available colour assortment please go to the fabric and leather overview



Measurements



Rico Dining Chair - Fixed and Swivel Base

Design by ferm LIVING

Product details

Manufactured in Italy

Dimensions - fixed base

Height: 80 cm / 31.5 in
 Width: 62.7 cm / 24.7 in
 Depth: 55.3 cm / 21.8 in
 Seat height: 48 cm / 18.9 in
 Seat depth: 44 cm / 17.3 in
 Weight: 11.1 kg

Dimensions - swivel base

Height: 80 cm / 31.5 in
 Width: 69 cm / 27.2 in
 Depth: 69 cm / 27.2 in
 Seat height: 48 cm / 18.9 in
 Seat depth: 44 cm / 17.3 in
 Weight: 11.1 kg

Materials and construction

Backrest: Moulded foam with inner steel structure

Seat: Moulded foam with inner wooden structure

Frame: Powder coated steel or polished aluminium

Glides: Plastic or felt glides (felt glides optional for fixed base)

FSC™ Mix certified wood

Care

Please see fermiving.com for care and maintenance instructions

Packsize

1

Attention

This seating is tested to meet relevant strength and durability standards. Tests are based on a person's weight of 110 kg / 242 lb

Test

EN 16139:2013

Furniture - Strength, durability, stability and safety

Requirements for non-domestic seating

Foam fire rating:

CAL117-2013 - on request

BS 5852 Crib5 - on request



The mark of responsible forestry



Rico Dining Chair
Fixed base
Cashmere Frame

Rico Dining Chair
Fixed base
Black Frame

Rico Dining Chair
Swivel base

Customisation Options

Fabric qualities



Frame options for fixed base

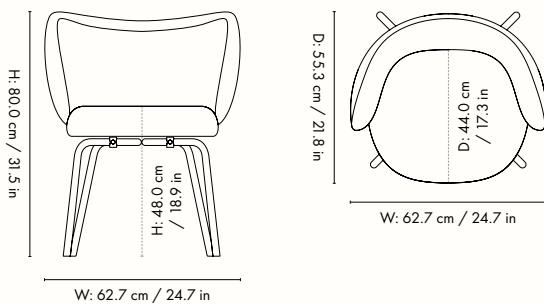


Cashmere Black

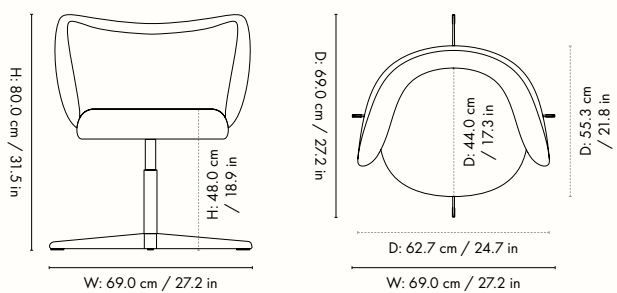
To see the specifications of each fabric and available colour assortment please go to the fabric and leather overview. Felt Glides must be ordered separately against price supplement

Measurements

Rico Dining Chair – Fixed base



Rico Dining Chair – Swivel base





Rico Dining Chair with Castors

Design by ferm LIVING

Product details

Manufactured in Italy

Dimensions

Height: 76 - 87.5 cm / 29.9 - 34.3 in
 Width: 74 cm / 29.1 in
 Depth: 74 cm / 29.1 in
 Seat height: 44 - 55.5 cm / 17.3 - 21.9 in
 Seat depth: 44 cm / 17.3 in
 Weight: 12 kg / 26.5 lb

Materials and construction

Backrest: Moulded foam with inner steel structure
 Seat: Moulded foam with inner wooden structure
 Frame: Polished aluminium
 FSC™ Mix certified wood

Care

Please see fermiving.com for care and maintenance instructions

Packsize

1

Attention

This seating is tested to meet relevant strength and durability standards. Tests are based on a person's weight of 110 kg / 242 lb.

Test

EN 16139:2013

Furniture - Strength, durability, stability and safety Requirements for non-domestic seating

Foam fire rating:

CAL117-2013-pass
 BS 5852 Crib5 - on request



Rico Dining Chair with Castors

Customisation Options

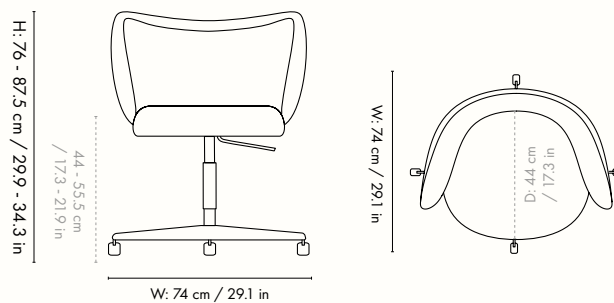
Fabric qualities



To see the specifications of each fabric and available colour assortment please go to the fabric and leather overview. Felt Glides must be ordered separately against price supplement



Measurements



Rico Lounge Chair

Design by ferm LIVING

Product details

Manufactured in Italy

Dimensions

Height: 76.5 cm / 30.1 in
 Width: 87 cm / 34.3 in
 Depth: 76 cm / 29.9 in
 Back height: 72 cm / 28.3 in
 Seat height: 41 cm / 16 in
 Seat depth: 55 cm / 21.7 in
 Weight: 30.5 kg

Materials and construction

Backrest: Moulded foam with inner iron structure
 Seat: PU foam with inner wooden structure
 Feet: Low density polyethylene
 FSC™ Mix certified wood

Care

Please see fermiving.com for care and maintenance instructions

Packsize

1

Attention

This seating is tested to meet relevant strength and durability standards. Tests are based on a person's weight of 110 kg / 242 lb

Test

EN 16139:2013
 Furniture - Strength, durability, stability and safety
 Requirements for non-domestic seating

Foam fire rating:

CAL117-2013 - on request
 BS 5852 Crib5 - on request



The mark of responsible forestry



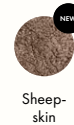
Rico Lounge Chair

Customisation Options

Fabric qualities



Leather quality



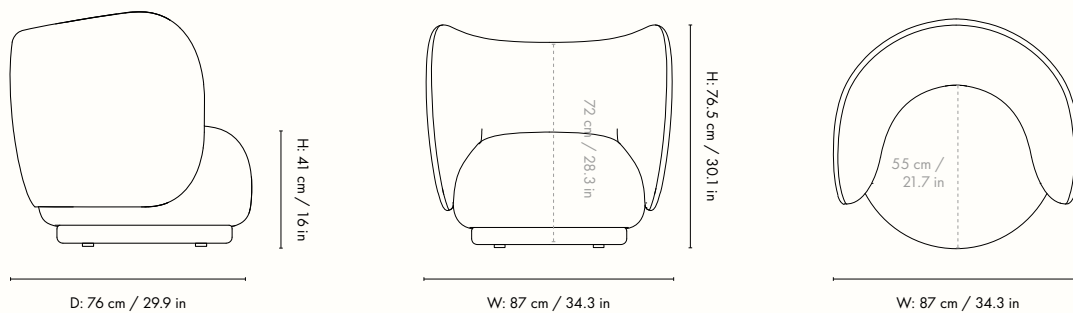
To see the specifications of each fabric and available colour assortment please go to the fabric and leather overview

Swivel foot base

Rico Lounge Chair is available with a swivel foot base.



Measurements



Rico Sofa 2-Seater

Design by ferm LIVING

Product details

Manufactured in Italy

Dimensions

Height: 76.5 cm / 30.1 in
 Width: 148 cm / 58.3 in
 Depth: 84 cm / 33.1 in
 Back height: 72 cm / 28.3 in
 Seat height: 41 cm / 16 in
 Seat depth: 61 cm / 24 in
 Weight: 46 kg

Materials and construction

Backrest: Moulded foam with inner iron structure
 Seat: PU foam with inner wooden structure
 Feet: Low density polyethylene
 FSC™ Mix certified wood

Care

Please see fermiving.com for care and maintenance instructions

Packsize

1

Attention

This seating is tested to meet relevant strength and durability standards. Tests are based on a person's weight of 110 kg / 242 lb

Test

EN 16139:2013
 Furniture - Strength, durability, stability and safety
 Requirements for non-domestic seating

Foam fire rating:

CAL117-2013 - on request
 BS 5852 Crib5 - on request



The mark of responsible forestry



Rico Sofa - 2-Seater

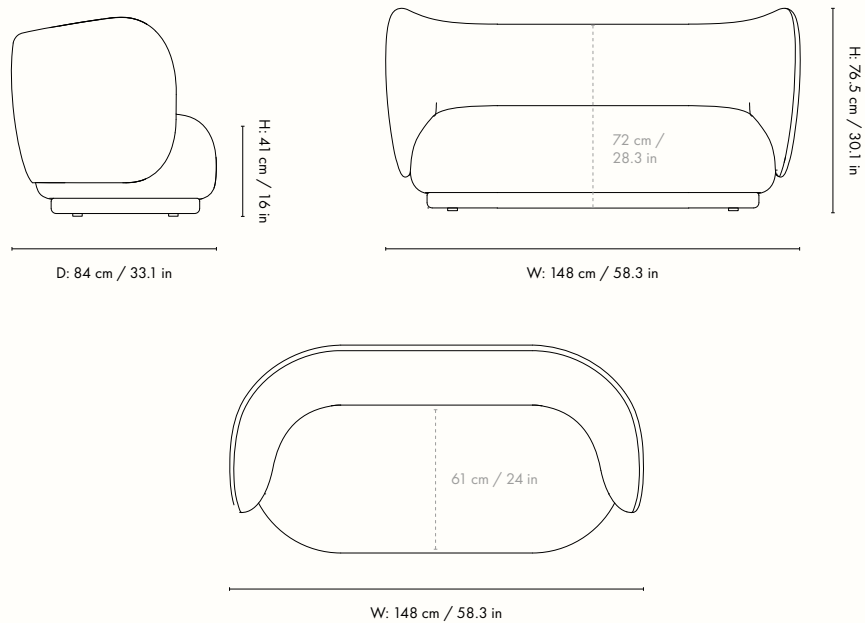
Customisation Options

Fabric qualities



To see the specifications of each fabric and available colour assortment please go to the fabric and leather overview

Measurements



Rico Sofa 3-Seater

Design by ferm LIVING

Product details

Manufactured in Italy

Dimensions

Height: 76.5 cm / 30.1 in
 Width: 210 cm / 82.7 in
 Depth: 84 cm / 33.1 in
 Back height: 72 cm / 28.3 in
 Seat height: 41 cm / 16 in
 Seat depth: 61 cm / 24 in
 Weight: 60.5 kg

Materials and construction

Backrest: Moulded foam with inner iron structure
 Seat: PU foam with inner wooden structure
 Feet: Low density polyethylene
 FSC™ Mix certified wood

Care

Please see fermiving.com for care and maintenance instructions

Packsize

1

Attention

This seating is tested to meet relevant strength and durability standards. Tests are based on a person's weight of 110 kg / 242 lb

Test

EN 16139:2013
 Furniture - Strength, durability, stability and safety
 Requirements for non-domestic seating

Foam fire rating:

CAL117-2013 - on request
 BS 5852 Crib5 - on request



Rico Sofa - 3-Seater

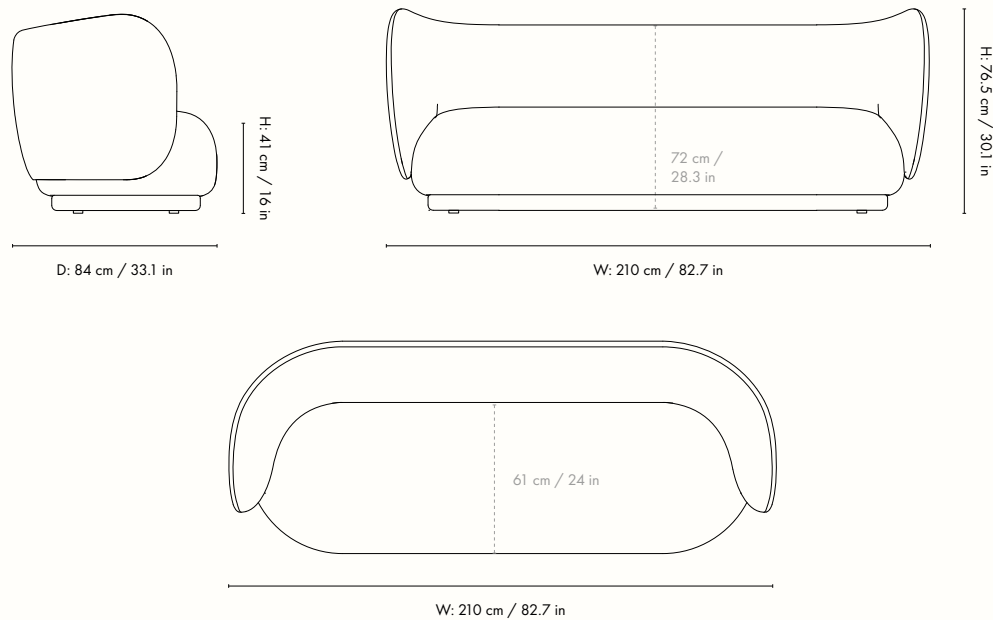
Customisation Options

Fabric qualities



To see the specifications of each fabric and available colour assortment please go to the fabric and leather overview

Measurements



Rico Sofa 4-Seater

Design by ferm LIVING

Product details

Manufactured in Italy

Dimensions

Height: 76.5 cm / 30.1 in
 Width: 260 cm / 102.4 in
 Depth: 84 cm / 33.1 in
 Back height: 72 cm / 28.3 in
 Seat height: 41 cm / 16 in
 Seat depth: 61 cm / 24 in
 Weight: 74.5 kg

Materials and construction

Backrest: Moulded foam with inner iron structure
 Seat: PU foam with inner wooden structure
 Feet: Low density polyethylene
 FSC™ Mix certified wood

Care

Please see fermiving.com for care and maintenance instructions

Packsize

1

Attention

This seating is tested to meet relevant strength and durability standards. Tests are based on a person's weight of 110 kg / 242 lb

Test

Foam fire rating:
 CAL117-2013 - on request
 BS 5852 Crib5 - on request



The mark of responsible forestry



Rico Sofa - 4-Seater

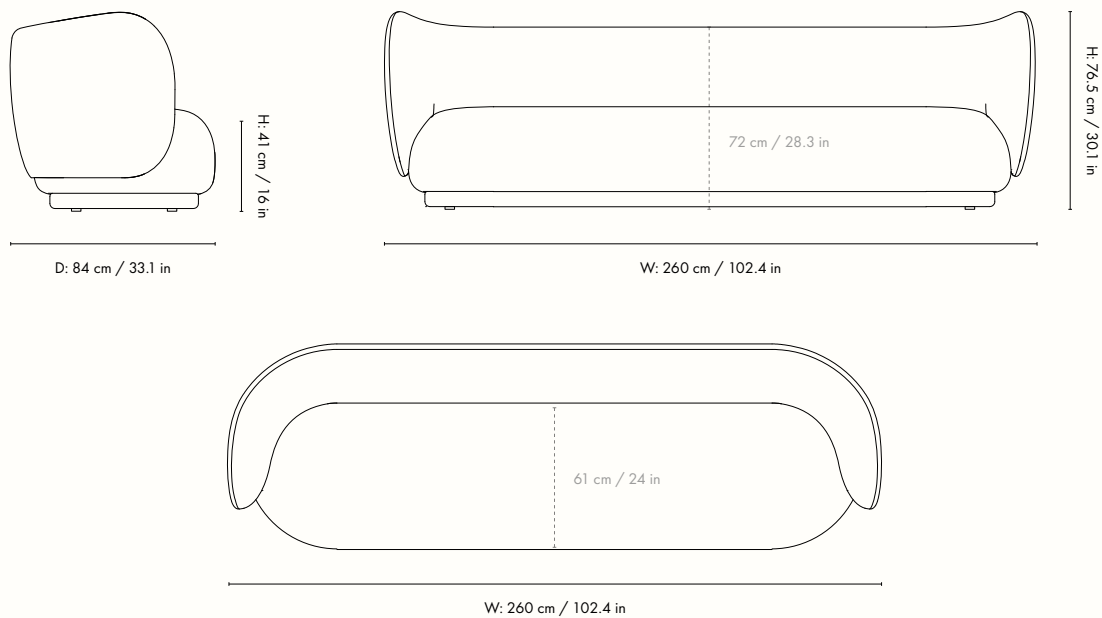
Customisation Options

Fabric qualities



To see the specifications of each fabric and available colour assortment please go to the fabric and leather overview

Measurements



Rico Sofa Curve

Design by ferm LIVING

Product details

Manufactured in Italy
Rico Sofa Curve is available with the seat orientated to the right or left side

Dimensions

Height: 76.5 cm / 30.1 in
Width: 148 cm / 58.3 in
Back height: 72 cm / 28.3 in
Depth: 111.5 cm / 43.9 in
Seat height: 41 cm / 16.1 in
Seat depth: 60-86.5 cm / 23.6-34.1 in
Weight: 43.5 kg

Materials and construction

Backrest: Moulded foam with inner iron structure
Seat: PU foam with inner wooden structure
Feet: Low density polyethylene
FSC™ Mix certified wood

Care

Please see fermiving.com for care and maintenance instructions

Packsize

1

Attention

This seating is tested to meet relevant strength and durability standards. Tests are based on a person's weight of 110 kg / 242 lb

Test

Foam fire rating:
CAL117-2013 - on request
BS 5852 Crib5 - on request



The mark of responsible forestry



Rico Sofa Curve
Right

Customisation Options

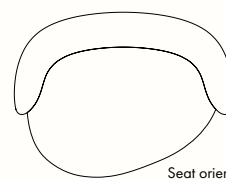
Fabric qualities



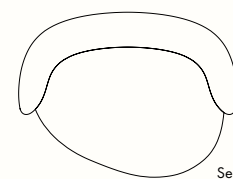
To see the specifications of each fabric and available colour assortment please go to the fabric and leather overview

Seat options

Rico Sofa Curve is available with the seat orientated to the right or left side.

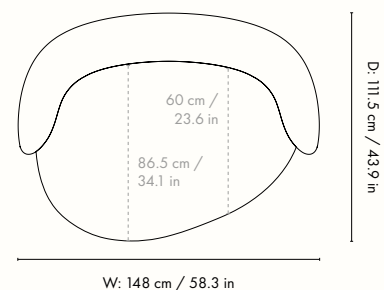
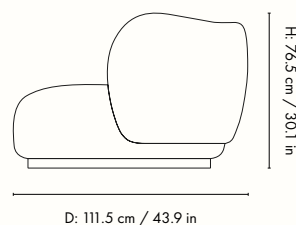
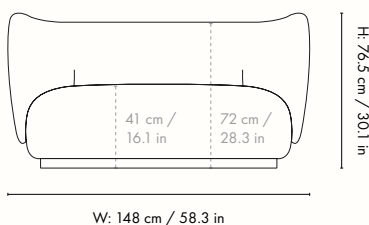


Seat orientation - Left



Seat orientation - Right

Measurements



NEW

Rico Lounger Sofa

Design by ferm LIVING

Product details

Manufactured in Italy

Dimensions

Height: 75 cm / 29.5 in
 Width: 210 cm / 82.7 in
 Depth: 105 cm / 41.3 in
 Seat height: 36 cm / 14.2 in
 Seat depth: 81 cm / 31.9 in
 Weight: 67 kg / 147.4 lb

Materials and construction

Backrest: Moulded foam with inner iron structure
 Seat: PU foam with inner wooden structure
 Frame: Low density polyethylene
 FSC™ Mix certified wood

Care

Please see fermiving.com for care and maintenance instructions

Packsize

1

Attention

This seating is tested to meet relevant strength and durability standards. Tests are based on a person's weight of 110 kg / 242 lb.

Test

EN 16139:2013

Furniture - Strength, durability, stability and safety
 Requirements for non-domestic seating

Foam fire rating:

CAL117-2013-pass
 BS 5852 Crib5 - on request



Rico Lounger Sofa

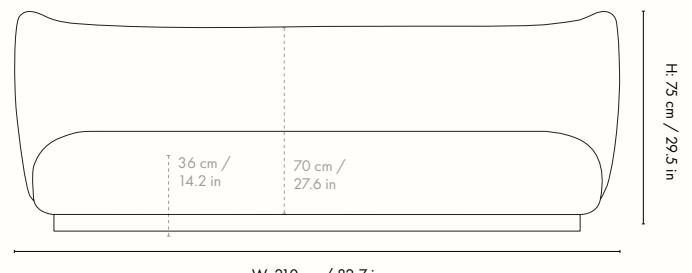
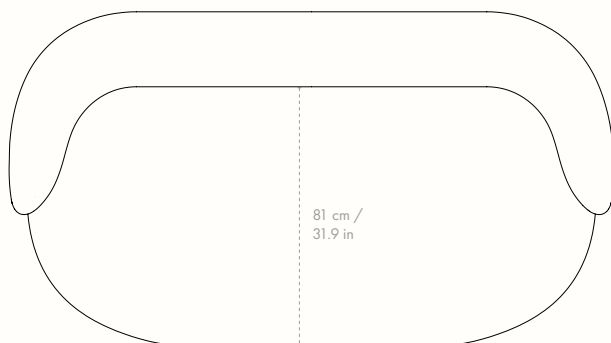
Customisation Options

Fabric qualities



To see the specifications of each fabric and available colour assortment please go to the fabric and leather overview

Measurements





Rico Divan

Design by ferm LIVING

Product details

Manufactured in Italy
Backrest on the left or right side

Dimensions

Height: 76.5 cm / 30.1 in
Width: 203 cm / 79.9 in
Back height: 72 cm / 28.3 in
Depth: 84 cm / 33.1 in
Seat height: 41 cm / 16 in
Seat depth: 61 cm / 24 in
Weight: 56 kg

Materials and construction

Backrest: Moulded foam with inner iron structure
Seat: PU foam with inner wooden structure
Feet: Low density polyethylene
FSC™ Mix certified wood

Care

Please see fermiving.com for care and maintenance instructions

Packsizes

1

Attention

This seating is tested to meet relevant strength and durability standards.
Tests are based on a person's weight of 110 kg / 242 lb

Test

Foam fire rating:

CAL117-2013 - on request
BS 5852 Crib5 - on request



The mark of responsible forestry



Rico Divan
Left

Customisation Options

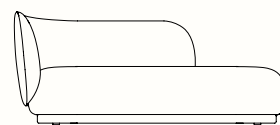
Fabric qualities



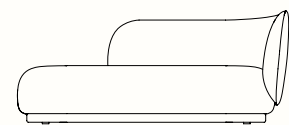
To see the specifications of each fabric and available colour assortment please go to the fabric and leather overview

Backrest options

Rico Divan is available with the backrest on the right or left side.

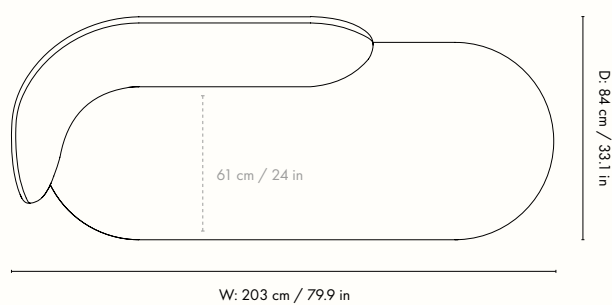
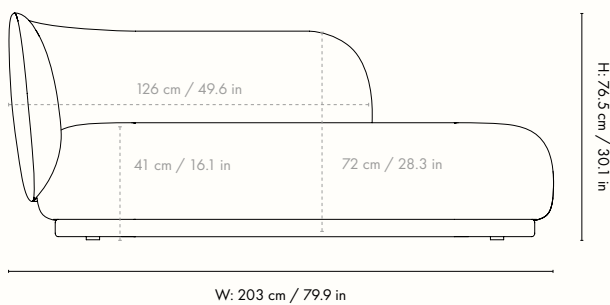


Backrest - Left



Backrest - Right

Measurements



NEW

Rico Lounger Pouf

Design by ferm LIVING

Product details

Manufactured in Italy

Dimensions

Height: 36 cm / 14.2 in
 Width: 86 cm / 33.9 in
 Depth: 62 cm / 24.4 in
 Weight: 12 kg / 26.5 lb

Materials and construction

Seat: PU foam with inner wooden and polystyrene structure
 Feet: Low density polyethylene
 FSC™ Mix certified wood

Care

Please see fermiving.com for care and maintenance instructions

Packsize

1

Attention

This seating is tested to meet relevant strength and durability standards. Tests are based on a person's weight of 110 kg / 242 lb.

Test

EN 16139:2013

Furniture - Strength, durability, stability and safety
 Requirements for non-domestic seating

Foam fire rating:

CAL117-2013-pass
 BS 5852 Crib5 - on request



The mark of responsible forestry



Rico Lounger Pouf

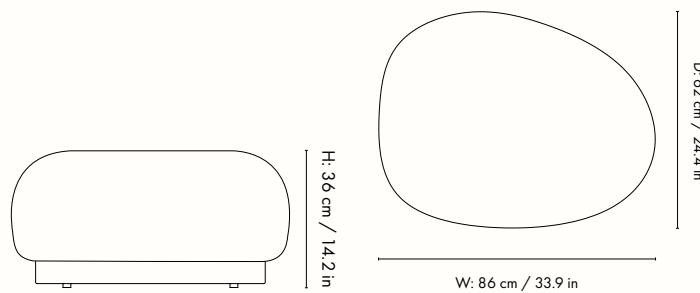
Customisation Options

Fabric qualities



To see the specifications of each fabric and available colour assortment please go to the fabric and leather overview

Measurements



Rico Pouf

Design by ferm LIVING

Product details

Manufactured in Italy

Dimensions

Height: 41 cm / 16.1 in
Diameter: 60 cm / 23.6 in
Weight: 10 kg

Materials and construction

Seat: PU foam with inner wooden structure
Feet: Low density polyethylene
FSC™ Mix certified wood

Care

Please see fermiving.com for care and maintenance instructions

Packsize

1

Attention

This seating is tested to meet relevant strength and durability standards. Tests are based on a person's weight of 110 kg / 242 lb

Test

Foam fire rating:
CAL117-2013 - on request
BS 5852 Crib5 - on request



Rico Pouf

Customisation Options

Fabric qualities

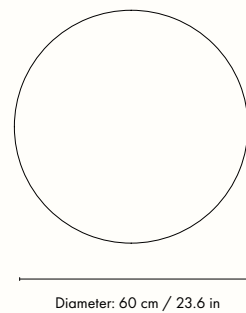
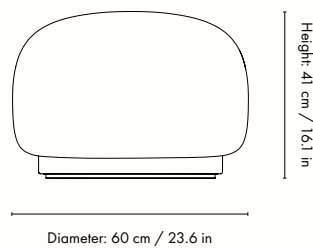


Leather quality



To see the specifications of each fabric and available colour assortment please go to the fabric and leather overview

Measurements



NEW

Rico Lounger Ottoman

Design by ferm LIVING

Product details

Manufactured in Italy

Dimensions

Height: 36 cm / 14.2 in
 Width: 147 cm / 57.9 in
 Depth: 75 cm / 29.5 in
 Weight: 25 kg / 55.1 lb

Materials and construction

Seat: PU foam with inner wooden and polystyrene structure
 Feet: Low density polyethylene
 FSC™ Mix certified wood

Care

Please see fermiving.com for care and maintenance instructions

Packsize

1

Attention

This seating is tested to meet relevant strength and durability standards. Tests are based on a person's weight of 110 kg / 242 lb.

Test

EN 16139:2013

Furniture - Strength, durability, stability and safety
 Requirements for non-domestic seating

Foam fire rating:

CAL117-2013-pass
 BS 5852 Crib5 - on request



The mark of responsible forestry



Rico Lounger Ottoman

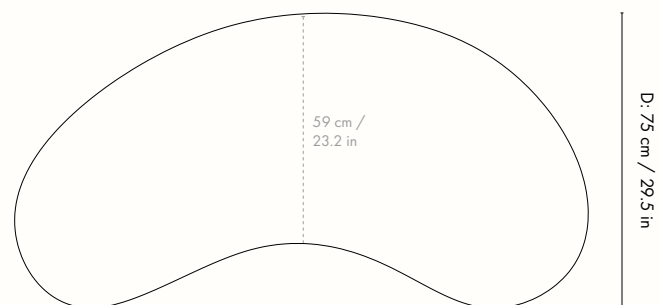
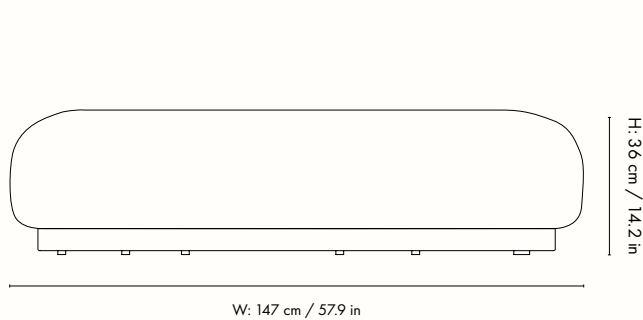
Customisation Options

Fabric qualities



To see the specifications of each fabric and available colour assortment please go to the fabric and leather overview

Measurements



Rico Ottoman

Design by ferm LIVING

Product details

Manufactured in Italy

Dimensions

Height: 41 cm / 16.1 in
Width: 124 cm / 48.8 in
Depth: 69 cm / 27.2 in
Weight: 20.5 kg

Materials and construction

Seat: Polyurethane foam with inner wooden structure
Feet: Low density polyethylene
FSC™ Mix certified wood

Care

Please see fermiving.com for care and maintenance instructions

Packsize

1

Attention

This seating is tested to meet relevant strength and durability standards.
Tests are based on a person's weight of 110 kg / 242 lb

Test

Foam fire rating:

CAL117-2013 - on request
BS 5852 Crib5 - on request



Rico Ottoman

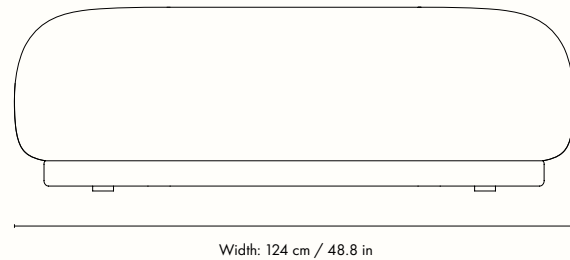
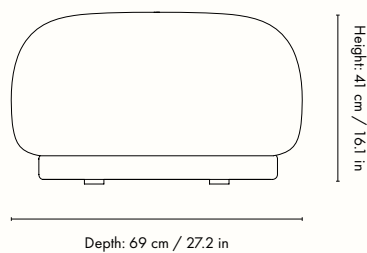
Customisation Options

Fabric qualities



To see the specifications of each fabric and available colour assortment please go to the fabric and leather overview

Measurements



Fabric and Leather Options

Rico Collection

Price Group 1

Brushed	•
Soft Bouclé	•

Price Group 2

Faded Velvet	•
Grain	•
Hot Madison	
Main Line Flax	•

Price Group 3

Bouclé	•
Check	
Louisiana	•
Nordic Bouclé	•
Pasadena	

Price Group 4

Confetti Bouclé	•
Leather – Ultra	
Rich Linen	
Tonus 4	•
Wool Bouclé	•

Price Group 5

Hallingdal 65	•
Leather - Envy	

Price Group 6*

Sheepskin	•
-----------	---

* Only available for Buur Lounge Chair, Rico Lounge Chair and Rico Pouf.

Separate overview available for UK and RoW

Space to feel comfortably you