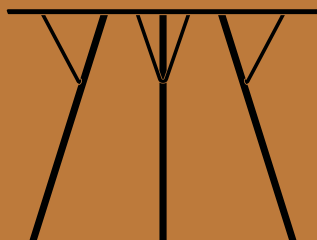
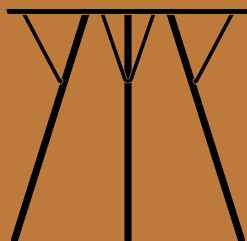


RFH Terrace Table ^{RD5-RD6}

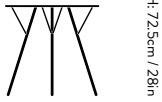
Robin Day

1951



RFH Terrace Table^{RD5}

Robin Day 1951



Ø: 75cm / 30in

Product description

Outdoor Dining Table

Environment

Outdoor

Material

Powder-coated steel tubing and steel rod, compact laminate, acrylic lacquer, melamine resin. This product has not been treated with any biocides.

Production process

The frame is CNC bent and welded together, before being welded to a 3mm steel plate. The entire leg is electroplated and powder-coated. The table top is made using compact laminate with a uniform black-coloured core, single-sided decorative acrylic lacquer on the top side and decorative melamine resin surface on the reverse.

Variants

Black

Strength, Durability and Safety Testing

The table is tested for strength, durability and safety according to: The chair is tested for strength, durability and safety according to: EN 15372 Level 2 (Tables), EN 581 (Outdoor furniture)

Dimensions

H: 72.5cm / 28in, Ø: 75cm / 30in

Packaging dimensions

Tabletop:

H: 5cm / 2in, W: 80cm / 32in, D: 79cm / 31in

Legs:

H: 38.5cm / 15in, W: 43cm / 17in, D: 75cm / 30in

Weight

15.2 kg

Weight incl. packaging: Tabletop 9.8 kg, legs 11.85 kg

Gliders

Plastic gliders

Colli quantity

1

Impact

1. Designed for disassembly, enabling easier repair, renovation and replacement of parts.
2. Framed in steel, a recyclable durable metal, reducing demand for raw material.

Manufacturer

Produced in PRC by Nine United Limited and in Slovenia by Sanyei

→ Stock items

Black

Cleaning Instructions

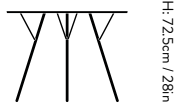
Please download our Material Care & Cleaning instructions through www.andtradition.com



→ Black

RFH Terrace Table^{RD6}

Robin Day 1951



Ø: 97cm / 90in

Product description

Outdoor Dining Table

Environment

Outdoor

Material

Powder-coated steel tubing and steel rod, compact laminate, acrylic lacquer, melamine resin. This product has not been treated with any biocides.

Production process

The frame is CNC bent and welded together, before being welded to a 3mm steel plate. The entire leg is electroplated and powder-coated. The table top is made using compact laminate with a uniform black-coloured core, single-sided decorative acrylic lacquer on the top side and decorative melamine resin surface on the reverse.

Variants

Black

Strength, Durability and Safety Testing

The table is tested for strength, durability and safety according to: The chair is tested for strength, durability and safety according to: EN 15372 Level 2 (Tables), EN 581 (Outdoor furniture)

Dimensions

H: 72.5cm / 28in, Ø: 97cm / 30in

Packaging dimensions

Tabletop:

H: 5cm / 2in, W: 102cm / 40in, D: 101cm / 40in

Legs:

H: 38.5cm / 15in, W: 43cm / 17in, D: 75cm / 30in

Weight

20.7 kg / Weight incl. packaging: Tabletop 16.3 kg, legs 11.85 kg

Gliders

Plastic gliders

Colli quantity

1

Impact

1. Designed for disassembly, enabling easier repair, renovation and replacement of parts.
2. Framed in steel, a recyclable durable metal, reducing demand for raw material.

Manufacturer

Produced in PRC by Nine United Limited and in Slovenia by Sanyei

→ Stock items

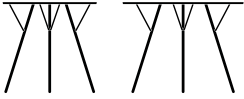
Black

Cleaning Instructions

Please download our Material Care & Cleaning instructions through www.andtradition.com



→ Black



Recycling & Disassembly

RFH Terrace Table RD5 & RD6

RECYLING

The RFH Terrace Table is built to last, and we hope that your RFH Terrace Table will serve you for many years. The table is made from compact laminate and can be easily separated from its steel base. All metal and wooden parts can be separated and delivered to a suitable recycling station.

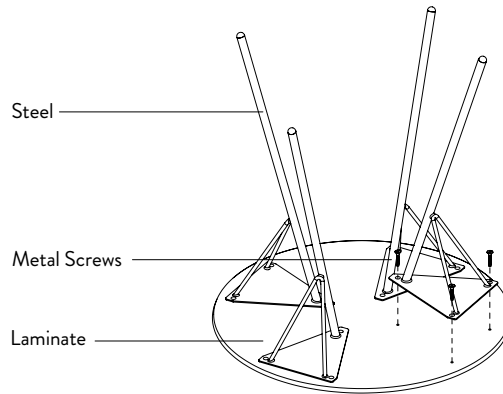
SPARE PARTS

To purchase spare parts for your RFH Terrace Table, please write to our sales support team at info@andtradition.com with your query.

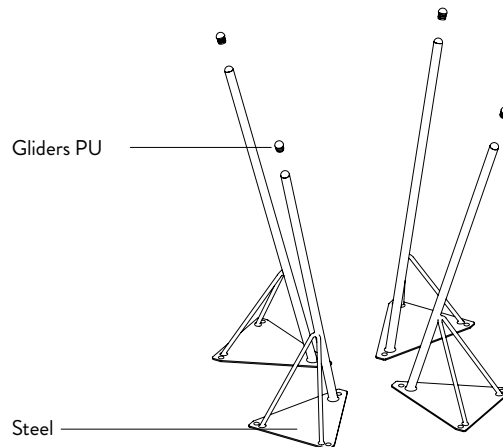
5 YEAR WARRANTY

&Tradition provides a 5-year warranty with every RFH Terrace Table, which covers faults which were present at the time of purchase, or which have occurred as a result of a manufacturing defect. The warranty is valid from the date stated on the original invoice.

DISASSEMBLY



1. Remove the legs by using an allen key to loosen the screws.



2. Remove the gliders.