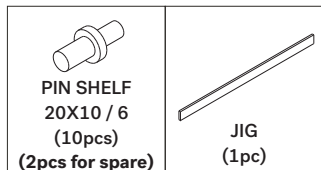


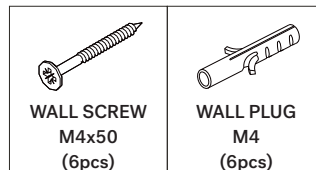
29777 PI WALL SHELF - VARNISHED MAHOGANY - 2 SHELVES ASSEMBLY INSTRUCTIONS FOR WALL SHELF INSTALLATION

HARDWARE ENCLOSED



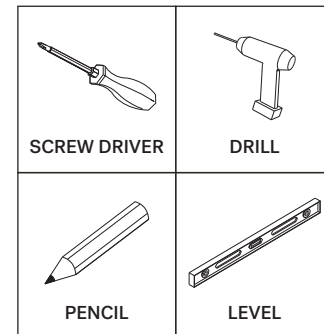
HARDWARE REQUIRED

(Not included in this package)

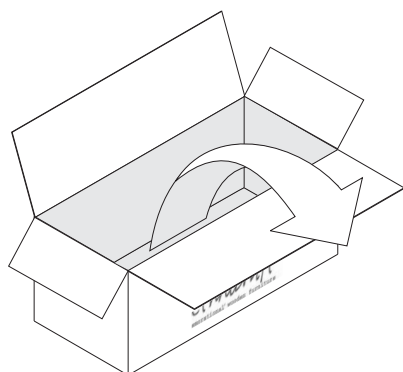


TOOLS REQUIRED

(Not included in this package)



AS WALL MATERIALS VARY, SCREWS FOR FIXING TO WALL ARE NOT INCLUDED. FOR ADVICE ON SUITABLE SCREW SYSTEMS, CONTACT YOUR LOCAL SPECIALISED DEALER.

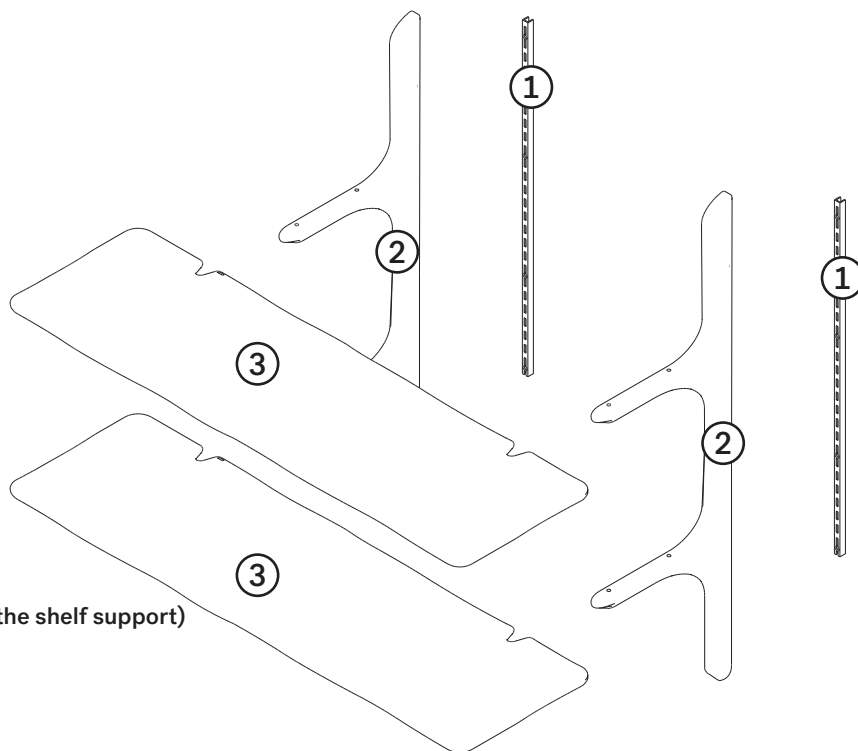


IN YOUR PACKAGE :

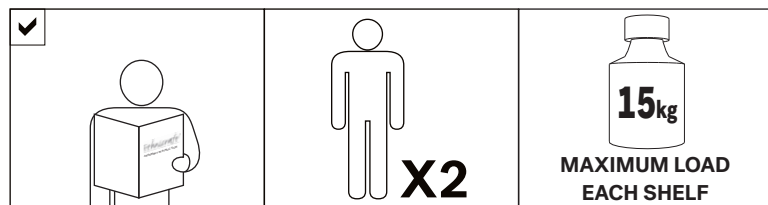
ASSEMBLY INSTRUCTIONS
HARDWARE (AS LISTED ABOVE)

PARTS TO BE INSTALLED

1. METAL HANGING 2 pcs (pre-installed on the shelf support)
2. SHELF SUPPORT 2 pcs
3. SHELVES 2 pcs



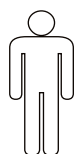
NOTICE



SYMBOLS



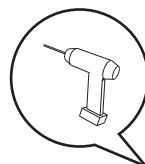
DIRECTION



NUMBER OF
PERSONS NEEDED



USE HAND



USE DRILL



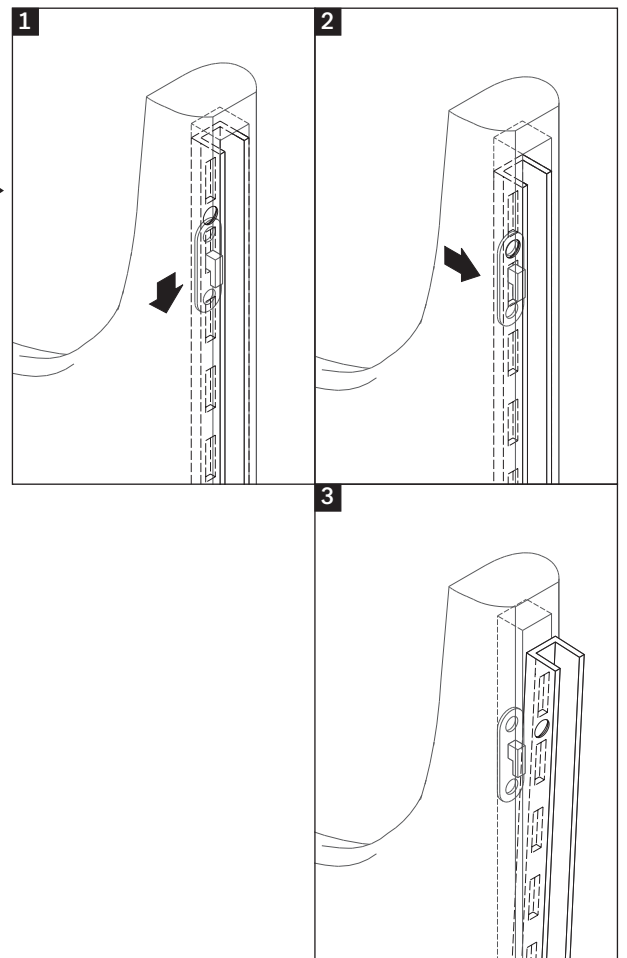
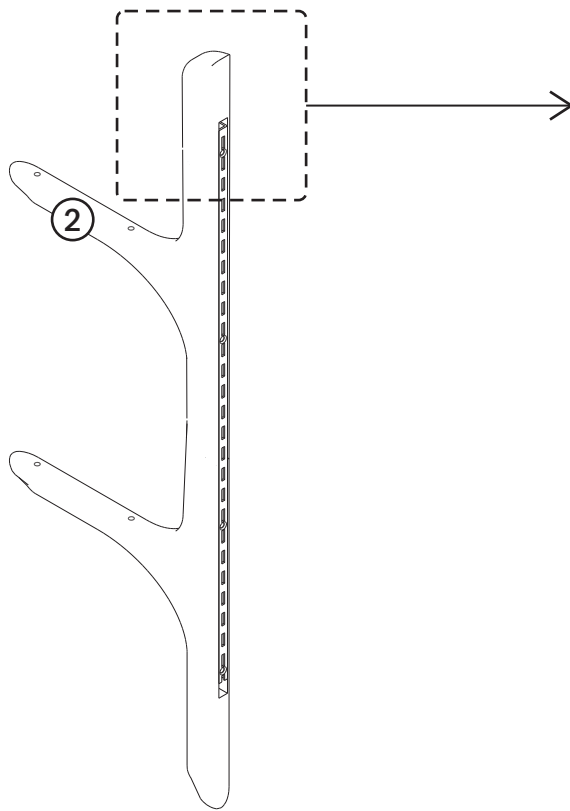
USE SCREWDRIVER
TO TIGHTEN



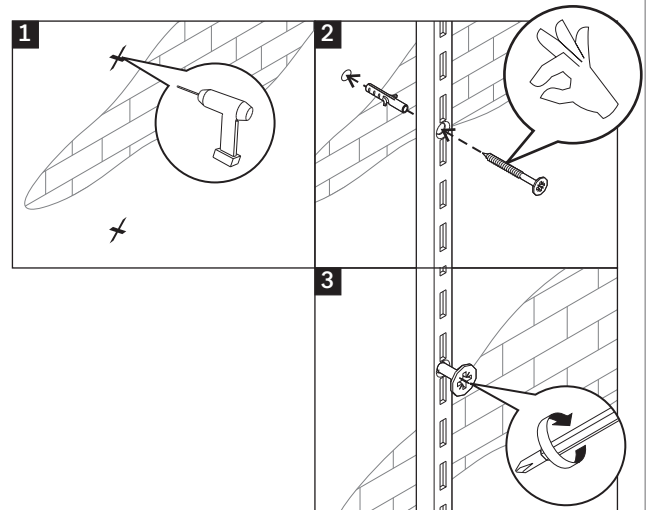
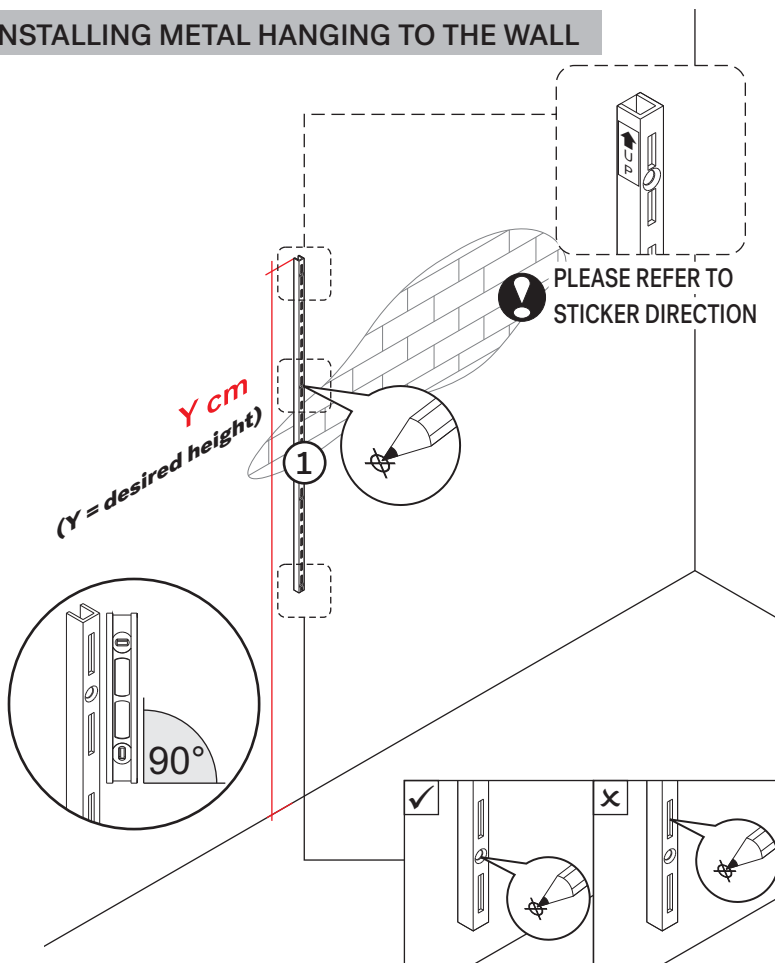
USE PENCIL

29777 PI WALL SHELF - VARNISHED MAHOGANY - 2 SHELVES ASSEMBLY INSTRUCTIONS FOR WALL SHELF INSTALLATION

A RELEASING METAL HANGING



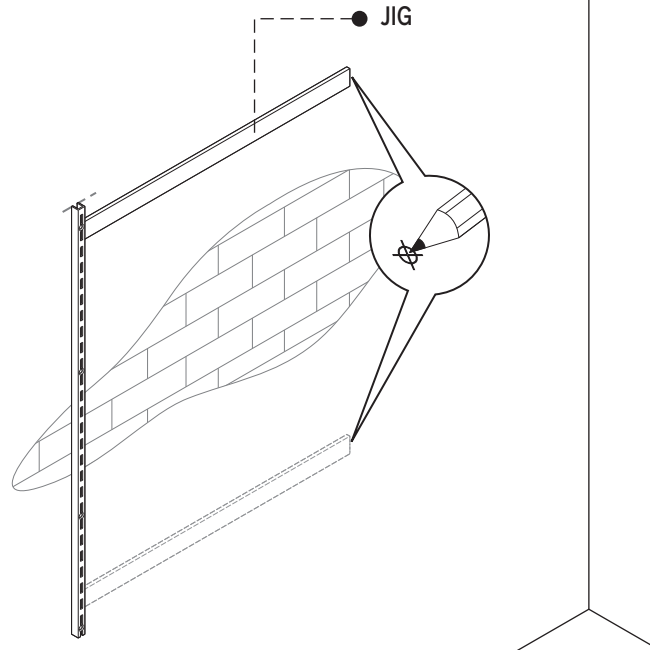
B INSTALLING METAL HANGING TO THE WALL



- ILLUSTRATION WITH BRICK WALL
- MAKE THE MARKS ON THE ROUND HOLES
- WALL SCREWS TO BE INSTALLED IN HOLES 1, 2 & 4
- USE LEVEL FOR ALIGNMENT
- USE WALL PLUG (3X)
- USE SCREW M4X50 (3X)
- TIGHTEN FULLY

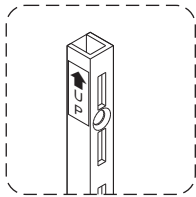
29777 PI WALL SHELF - VARNISHED MAHOGANY - 2 SHELVES ASSEMBLY INSTRUCTIONS FOR WALL SHELF INSTALLATION

C DETERMINE THE DISTANCE BETWEEN METAL HANGING

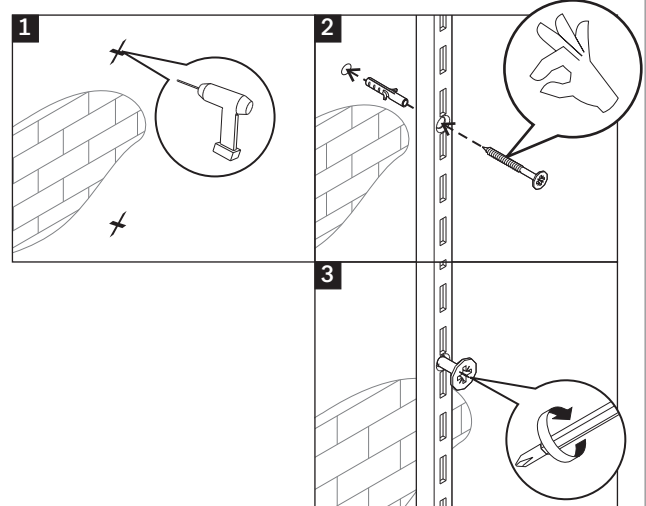
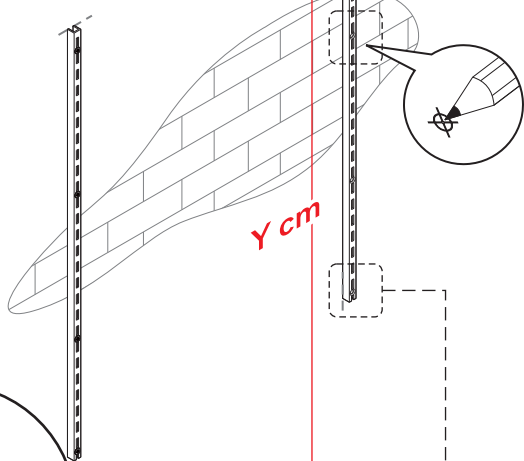


- ! - USE JIG
- USE GUIDELINES TO ENSURE VERTICAL LINES

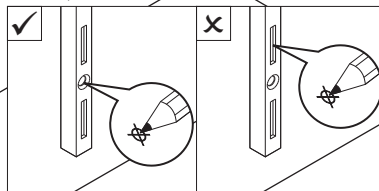
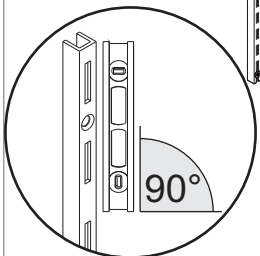
D INSTALLING METAL HANGING



- ! PLEASE REFER TO STICKER DIRECTION

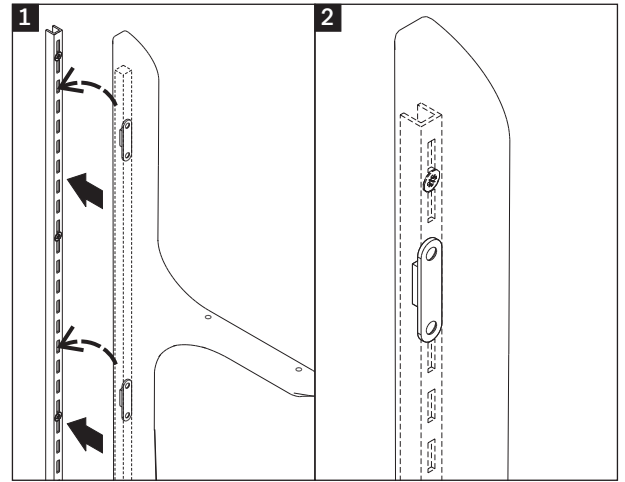
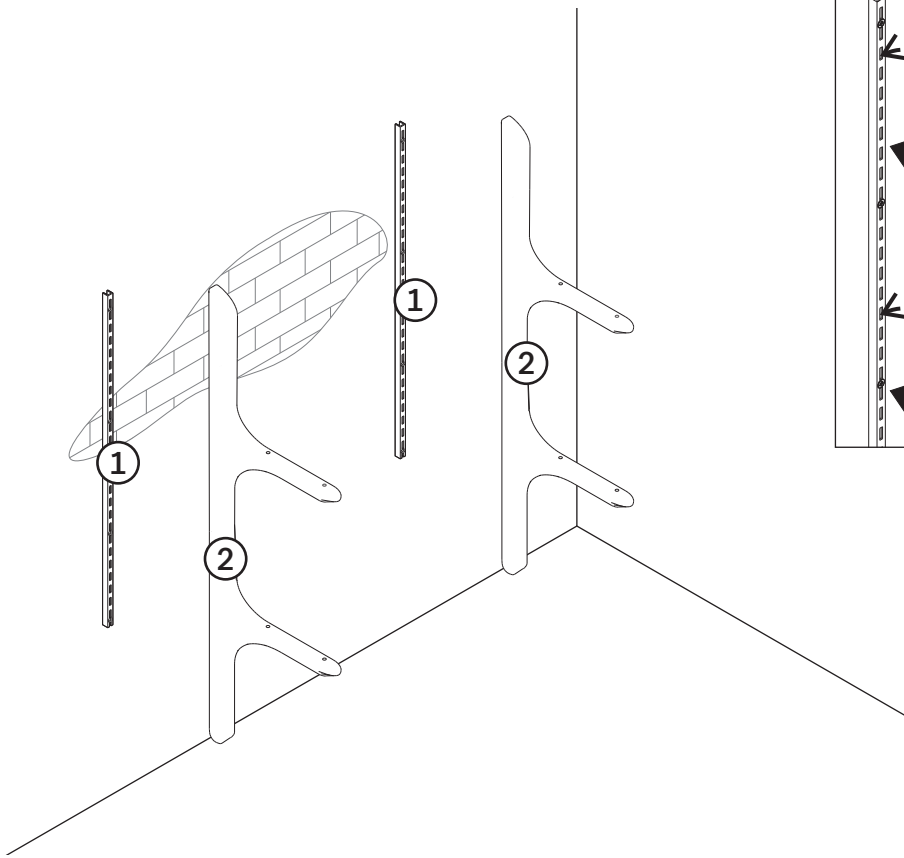


- USE LEVEL FOR ALIGNMENT
- MAKE SURE THE SAME METAL SUPPORT HEIGHT
- ! - USE WALL PLUG (3X)
- USE SCREW M4X50 (3X)
- TIGHTEN FULLY

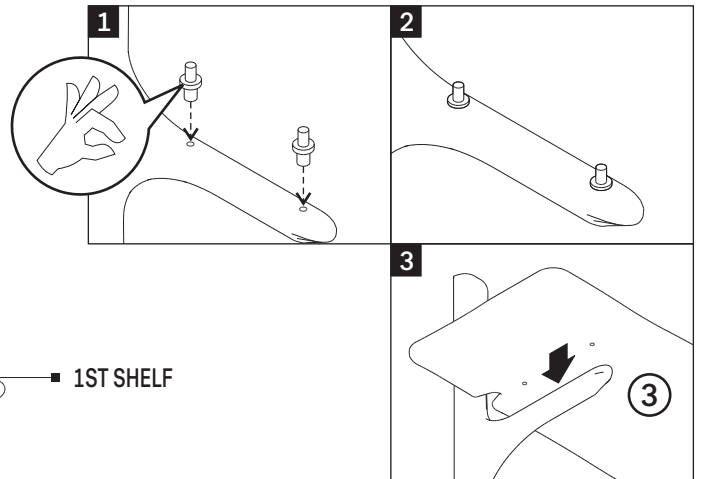
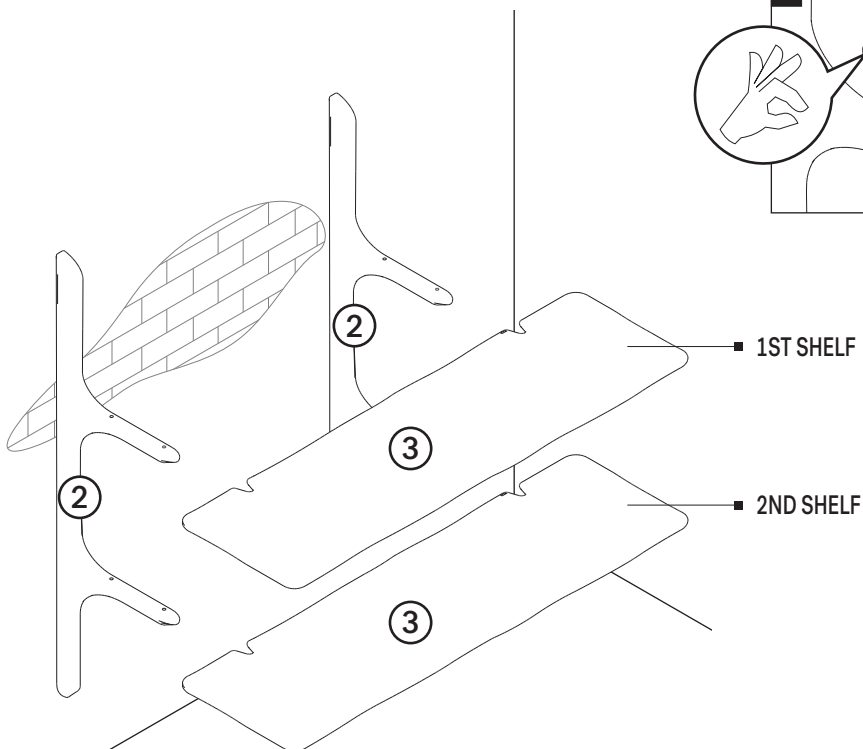


29777 PI WALL SHELF - VARNISHED MAHOGANY - 2 SHELVES ASSEMBLY INSTRUCTIONS FOR WALL SHELF INSTALLATION

E INSTALLING SHELF SUPPORTS



F INSTALLING SHELVES



 - USE PIN SHELF (8X)

 PLEASE REFER THE CODE OF EACH SHELF

Ethnicraft

CARE INSTRUCTIONS

VARNISHED WOOD

ABOUT US

TIMELESS DESIGN

All our designs are intentionally timeless. They withstand trends and associate well with different styles, and they can be passed on from one home to the next, carrying over the stories of one lifetime into another.

Our collections go back to the essence of what we believe is good design: pieces full of character, made from quality materials that age beautifully. We love that solid wood evolves with the years as it carries the marks of the life that happens to it.

THE BEAUTY OF SOLID WOOD

The beauty of natural materials lies in its peculiarities and imperfections. Variations in the wood grain and colour, knots, medullary rays and other natural characteristics are inherent. These are far from flaws, but an intricate part of its character. We believe that these imperfections contribute to the charm of our products.

CRAFTSMANSHIP

Outstanding craftsmanship is at the core of our brand, and behind the simplicity of our pieces lies a constant drive for innovation. Incorporating advanced techniques to our process of creation, each new design is revised and reworked to the last detail: every curve, texture and line reflects our design values.

TIPS & TRICKS

- This product is intended for indoor use only.
- Recommended humidity in the room: between 40% and 60%.
- Ideal room temperature: between 14°C/57°F and 21°C/70°F.
- To prevent colour differences:
 - Do not place your item in direct sunlight and move objects placed on furniture surfaces from time to time.
 - Open your extendable table the first three weeks after installing and afterwards on a regular basis.
- Avoid exposure to extreme conditions: do not place item near heating sources or air-conditioners.
- To prevent staining, we recommend that any spills be removed immediately.
- When cleaning the surface, always work in the direction of the wood grain
- Use place mats and/or coasters to prevent hot pots and pans, or cold glasses and bottles, from leaving marks on furniture.
- Do not drag furniture along the floor, always lift furniture when moving.
- Always ensure water and solutions used to clean the floor do not come in contact with the item's base, as it might leave permanent marks.

CARE INSTRUCTIONS

Ethnicraft products are conceived to adapt well to the hydrometric conditions of its environment, although some cracking or movement may occur. This is a normal adaptation to the item's environment.

Your wooden item is finished with a protective varnish. This finish gives the item its desired colour and offers a good protection against stains, even though with this extensive treatment, spills should be removed immediately.

REGULAR CARE

For regular dusting, use a dry cloth. For cleaning or in case of a spill, use a damp cloth and natural soap. Wipe in the direction of the grain. Do not use soap containing detergent or other chemicals. Dry with a soft clean cloth to prevent spotting.

We always recommend protecting surfaces with coasters, mousepads, or placemats as extreme and repetitive daily use or heat can damage the finish.

Always move objects such as flowerpots, vases etc from time to time, and ensure any excess water or dampness is wiped dry immediately to prevent marking the surface.

METAL STRUCTURES

We advise the following:

- Dust regularly using a soft dry cloth.
- For a more thorough cleaning, use mild soap and warm water. Rinse with clean water and wipe dry.
- Do not use steel wool, sandpaper, mineral acid, bleach or chlorine cleaners on metal surfaces.
- Do not drag furniture along the floor, as it might damage the protective coating, cause rusting or leave permanent marks on the floor.
- Always lift furniture when moving them from place to place.

**We create the foundations
of your home, to inspire the
stories of your life.**

If you prefer, these care instructions are available for
download in other languages. Please see the product page
at ethnicraft.com in your chosen language.

Join us @ethnicraft
ethnicraft.com

