

PH Snowball

The fixture emits comfortable glare-free diffused light. Matte painted undersurfaces and glossy top surfaces result in an attractive reflection of the diffused light, creating uniform light distribution around the fixture. When the light is switched on, the top portion is illuminated while the bottom part remains dark.



Product info

Information

Electrical: System Wattage: 22W - 44W LED Wattage: 20 W - 42 W Delivered lumens: 894 - 1,085 lm Efficacy: 24.6 - 40.6 lm/W Certifications: cULus, Dry Location Protection class IP20 Controllability: Phase dimming or 0-10V dimming. Color Rendering: Ra≥90 for LED variants. Performance dependent upon screw-base lamp used in socketed variants.

Mounting

Canopy: White. Cord type: 3-conductor, 18 AWG white PVC power cord. Cord length: 12'.

Finish

White, wet painted.

Materials

Shades: Spun aluminum. Frame: High lustre chrome plated, cast aluminum. Housing: High lustre chrome plated, spun aluminum.

Sizes and weight

Width x Height x Length (in.) | 15.7 x 15.4 x 15.7 Max 9.9 lbs

Compliance

cULus, Dry location.

Specification notes

a. Socketed variant available in 1/22W/A-21/120V. b. LED variants available with mains dimming at 120V or 0-10V dimming with 120-277V.

Light source

1x22W A-21/medium

Information

Electrical:

System Wattage: 22W - 44W

LED Wattage: 20 W - 42 W

Delivered lumens: 894 - 1,085 lm

Efficacy: 24.6 - 40.6 lm/W

Certifications:

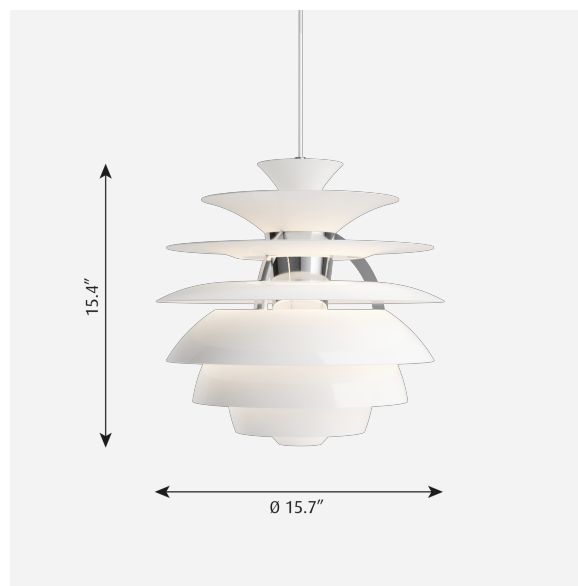
cULus, Dry Location

Protection class IP20

Controllability: Phase dimming or 0-10V dimming.

Color Rendering: Ra≥90 for LED variants.

Performance dependent upon screw-base lamp used in socketed variants.



Product variants

Light source	Lumen	Voltage frequency	Lighting control
1x22W A-21/medium	-	120-277V/60HZ	-
44W LED/3000-1800K D2W	1085	120V	Dim 0-10v
44W LED/3000K	894		Phase dimming (mains dimm)

Product description

The PH Snowball is designed based on Poul Henningsen design philosophy offering no glare and beautiful light. The pendant is comprised of a series of concave, circular rings surrounding a central light source. The rings are supported by thin, chrome-plated vertical struts. The fixture provides 100% glare-free light. Its geometric design is based on the principle of illuminating all surfaces at the same angle. This ensures uniform light around the fixture, illuminating the walls, ceiling and floor. The matt finished undersurfaces and glossy top surfaces result in an attractive reflection of the diffused light, creating a uniform light distribution around the fixture.

Mounting

Mounts onto a 4 inch octagonal outlet box. Canopy for socketed variant: White flat cone profile, 5.3 IN diameter x 1 IN tall. Canopy for LED variants: White dome, 9.4 IN diameter x 4.3 IN tall. Cord type: 2 or 3-conductor, 18 AWG white braided fabric covered power cord. Cord length: 12 feet. LED variants include class II driver for inside canopy. LED variants are 0-10V or mains dimming.

Light description

Light distribution is spherical and glare-free. The matte lower surfaces of the rings diffuse the light, while the glossy upper surfaces provide optimal reflection. Available in LED of 3000K or Dim-to-Warm option, for 0-10V or mains dimming.

Design

Poul Henningsen

Material

Shades: spun aluminum, 0.08 IN thick. Canopy for socketed variant is spun aluminum, 0.03 IN thick. Canopy for LED variants is white polycarbonate dome, 0.1 IN thick. Vertical struts: chrome-plated extruded aluminum. Internal diffuser: frosted polycarbonate. Canopy is spun aluminum, 0.03 IN thick. Standard finish are matte surface powder coat with minimum 2 mils thickness in white.

Weight

Min: 7.694 lbs Max: 9.85 lbs

Other functions

Longer cord lengths. LED in 3500K or 4000K. Alternative dimming controls. LED retrofit kit available for existing installations.

Finish

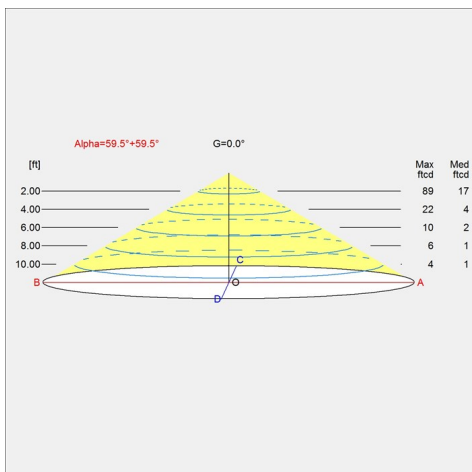
White

Voltage

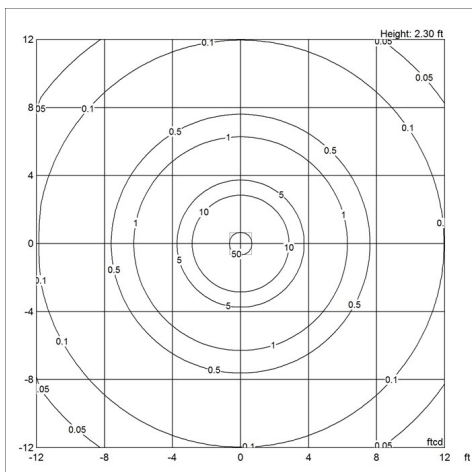
120-277V/60HZ, 120V

Light distribution diagrams

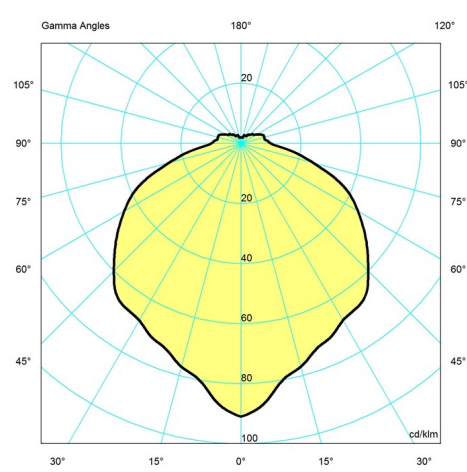
Cartesian



Isolux



Polar



Spare parts & accessories

Product

PH SNOWBALL, BOTTOMSHADE COMPLETE

Variant number

5741086456