

PH 4/3 Table

The fixture is designed based on the principle of a reflective three-shade system, which directs the majority of the light downwards. The shades are made of metal and painted white to ensure a diffused, comfortable light distribution.



**A private
Residence TG**



Ballywalter

Product info

Mounting

Cord type: Black. Cord length: 8'. Switch: In-line on/off switch provided.

Finish

White, powder coated. High lustre chrome plated.

Materials

Base: High lustre chrome plated, spun brass. Shades: Spun aluminum. Stem: High lustre chrome plated, steel. Triangular piece: Black, injection molded bakelite.

Sizes and weight

Width x Height x Length (in.) | 17.7 x 21.6 x 17.7 Max 6.5 lbs

Compliance

cULus, Dry location.

Light source

1x15W A-19/medium

Product family



PH 4/3 Pendant



Product variants

Light source

1x15W A-19/medium

Voltage frequency

120V

Product description

Portable fixture.

Terse and iconic design.

The size of the three shades is adjusted for optimum performance and comfort.

Interior surfaces of shades matte finished to diffuse light.

Member of a family products of various sizes and type.

Mounting

Portable fixture plugs into standard wall outlet.

Light description

The fixture emits glare free, mostly downward light.

Design

Poul Henningsen

Material

Shades: spun aluminum, 1.5mm (0.06") thick, white wet painted.

Struts: stamped steel.

Socket cover and base accent: black injection molded Bakelite.

Base: steel with chrome-plated brass cover.

Stern: extruded steel, chrome plated, 1.5mm (0.06") thick.

Switch: on/off, phenolic, on cord.

Socket: Porcelain, medium base for A-19, frosted envelope lamps.

Weight

6.539

Finish

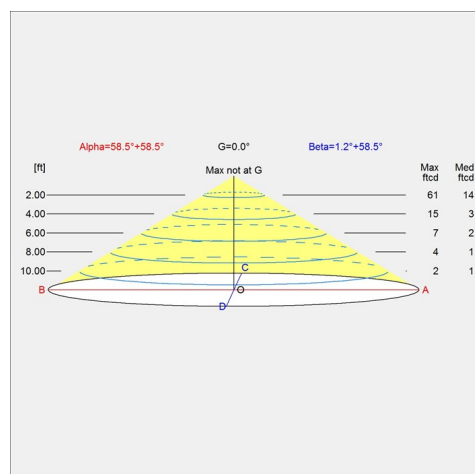
White

Voltage

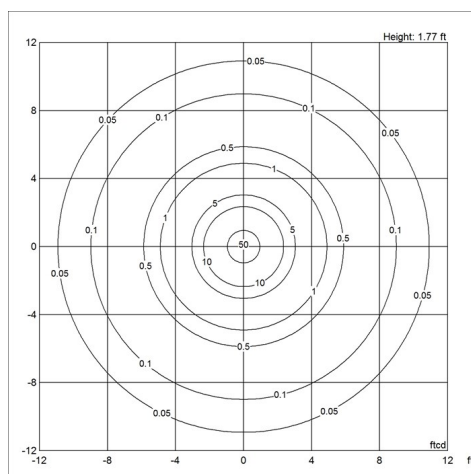
120V

Light distribution diagrams

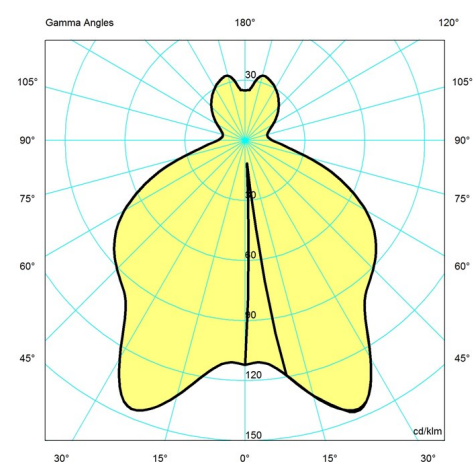
Cartesian



Isolux



Polar



Spare parts & accessories

Product

PH 4-3 TABLE, FINGER SCREW W/WASHER
 PH 4-3 TABLE MIDDLE/LOWER SHADESET NEW
 PH 4-3 TABLE, TOP SHADE NEW
 PH 4-3 TABLE, NIPPEL
 PH 4-3 TABLE, LAMPHOLDER ASS.
 PH 4-3 TABLE, LAMPHOLDER BRACKET

Variant number

5744610230
 5744610829
 5744610926
 5744610515
 5744610696
 5744610706