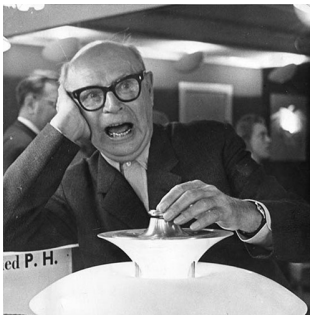


PH 5/5 PENDANT

The fixture emits a diffused and comfortable glare-free light, characteristic of the reflective three-shade-system by Poul Henningsen. The fixture is available with white opal glass or soft touch black painted metal with a white inner side. Where the metal shades with the white painted inner sides reflect a fine and primarily downward directed light, the metal top shade combined with translucent opal glass middle and lower shades in three-layered mouth blow opal glass create a warm glow around the pendant too. The included diffuser in frosted glass is easy to insert for an even softer light distribution.



Poul Henningsen

The very influential Danish designer, architect, writer, and cultural critic, Poul Henningsen (1894-1967), has had a huge impact on Danish thinking and design. His legacy is an integrated part of Louis Poulsen's endeavor to shape light.



Product info

Information

Frosted glass bottom diffuser to ensure a diffuse light distribution. The LED diffuser has integrated reflective shield in white ABS to achieve a more even light distribution on the shades (can be removed if more light downwards is needed).

Mounting

Suspension type: Black textile cable 2x1,5mm². Cable length: 4m. Canopy: Yes. Specially designed matt black painted canopy for E27. LED variants: Cannot be height adjusted. Height adjustment of light source approx. 65mm depending on light source used.

Finish

Shades: White opal glass or soft touch black painted with white inner side. Suspension: Matt black, powder coated. Canopy: Matt black, powder coated.

Materials

Shades: Mouth-blown white opal glass or spun aluminium. Bottom diffuser: Frosted glass. Suspension: Aluminium. LED version: Additional opal PC diffuser in front of LED. Canopy: Aluminium.

Sizes and weights

Width x Height x Length (mm) | 500 x 430 x 500 Max 4.9 kg

Class

Ingress protection IP20. Electric shock protection II w/o ground.

Light source

1xE27

Information

Frosted glass bottom diffuser to ensure a diffuse light distribution. The LED diffuser has integrated reflective shield in white ABS to achieve a more even light distribution on the shades (can be removed if more light downwards is needed).



Product variants

Colour	Light source	Lumen	Class	Shade	Lighting control
● Metal black	1xE27	-	-	METAL BLACK	-
● Metal black/opal glass	LED 2700K	1193	I	METAL BLACK/GLASS	Dali
	LED 3000-1800K D2W	1392	II		Phase dimming (mains dimm)
	LED 3000K	1448			Wireless bluetooth
		1892			
		2208			
		2296			

Design

Poul Henningsen

Weight

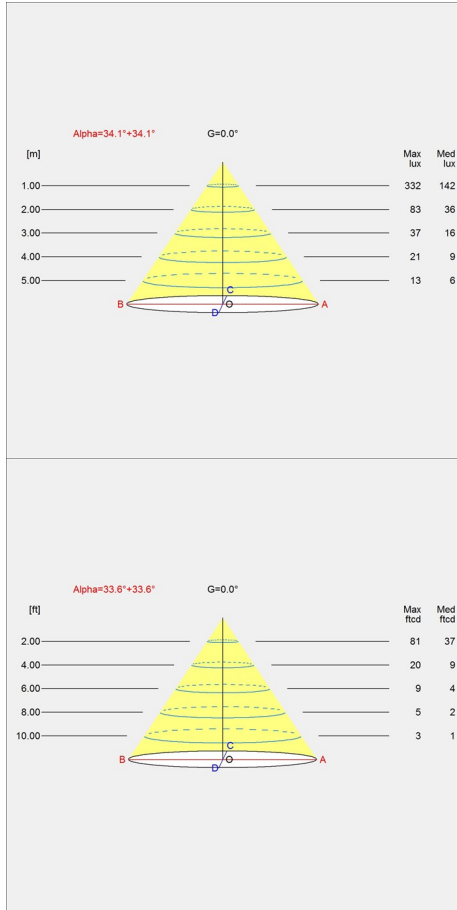
Min: 2.724 kg Max: 4.942 kg

Finish

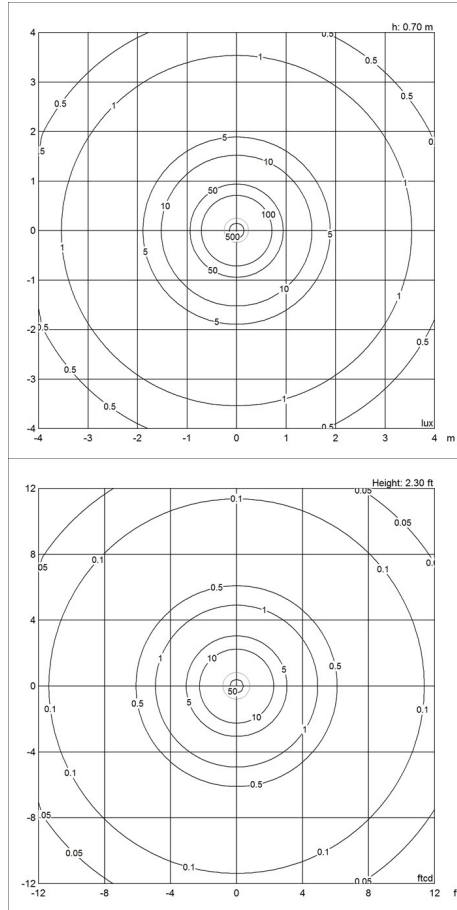
Metal black, Metal black/opal glass

Light distribution diagrams

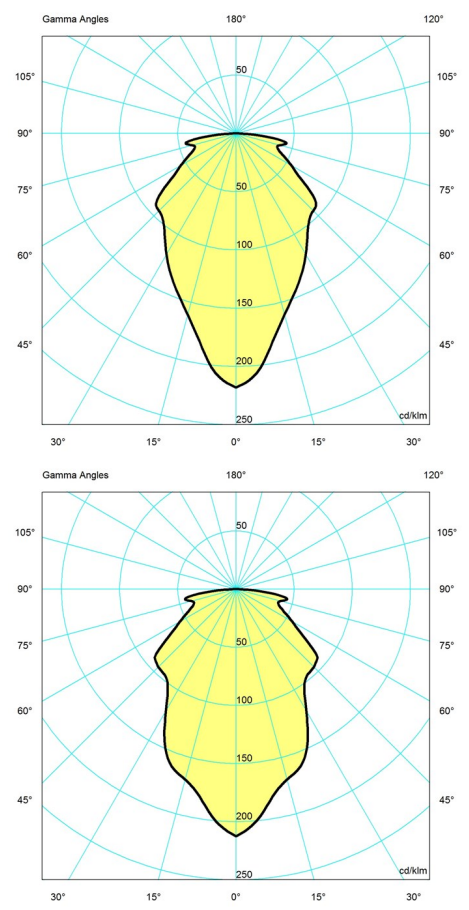
Cartesian



Isolux



Polar



Spare parts & accessories

Product	Variant number
PH 5/5 glass middle shade	5741106640
PH 5/5 glass lower shade	5741106653
PH 5/5 Black metal top shade	5741106666
PH 5/5 Black metal middle shade	5741106679
PH 5/5 Black metal lower shade	5741106682
PH 5/5 Black metal shadeholder	5741106695
PH 5/5 LED Black metal shadeholder	5741106705
PH 5/5 frosted glass diffuser	5741106721
PH 5/5 LED diffuser shield	5741106734
PH 5/5 Black metal shadeholder	5741109469
PH 5/5 LED Black metal shadeholder	5741109472
PH 5/5 Pendant 3 x black shade screws	5741109485
PH 3/3 / PH 5/5 canopy	5741109498

