



PRODUCT SHEET

The Penguin Dining Chair
by Ib Kofod-Larsen

The Penguin Dining Chair, Veneer
BY IB KOFOD-LARSEN

A mid-century bestseller from the hand of Ib Kofod-Larsen, The Penguin Dining Chair remains as popular today as when it was first introduced in 1953. Light and elegant with its curved wooden back and seat, it continues to offer unparalleled sitting comfort.



PRODUCT OPTIONS

SHELL



NATURAL OAK

WALNUT

STEEL BASE



BLACK POWDER COATED STEEL

The Penguin Dining Chair, Veneer
BY IB KOFOD-LARSEN

TECHNICAL SPECIFICATIONS

PRODUCT TYPE
Dining chair

COLLI
1

ENVIRONMENT
Indoor

DIMENSIONS
H: 82 cm / 32,28"
SH: 47 cm / 18,5"
AH: 64,4 cm / 23,35"
W: 56 cm / 22,05"
D: 57 cm / 18,5"

PRODUCTION PROCESS
The cut steel frame is welded by robotic welding, and then powder coated to obtain a robust surface. The seat and back is made from bended plywood, which is then oiled for a soft and protective finish.

COLOUR

Seat & Back
Natural oak
Walnut

Base
Black (RAL 9005)

GLOSS
Gloss 10-20

MATERIALS
Powder coated steel, curved plywood and oak or walnut veneer.

WEIGHT
13 kg / 28,6 lb

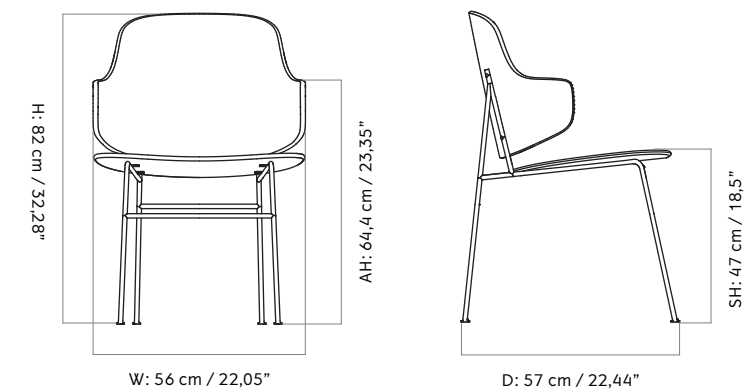
TEST
N / A

CERTIFICATIONS
EN16139:2013, L2
Crafted from FSC certified oak and ash

PACKAGING TYPE
Brown box

PACKAGING MEASUREMENTS (H x W x D)
90 cm x 66 cm x 72 cm / 35,4" x 25,9" x 28,3"

MATERIALS & MAINTENANCE
Please visit menuspace.com for materials, care and maintenance instructions.





The Penguin Dining Chair, Upholstered Seat

BY IB KOFOD-LARSEN

A mid-century bestseller from the hand of Ib Kofod-Larsen, The Penguin Dining Chair remains as popular today as when it was first introduced in 1953. Light and elegant with its curved wooden back and upholstered seat, it continues to offer unparalleled sitting comfort thanks to its considered combination of quality craftsmanship and premium materials.



PRODUCT OPTIONS

BACKREST



NATURAL OAK

WALNUT

STEEL BASE



BLACK POWDER COATED STEEL

SPEC OPTIONS

Available in fabrics from our upholstery programme. Standard lead times apply. Custom upholstery available upon request. For further information please refer to MENU upholstery programme.



The Penguin Dining Chair, Upholstered Seat

BY IB KOFOD-LARSEN

TECHNICAL SPECIFICATIONS

PRODUCT TYPE

Dining chair

COLLI

1

ENVIRONMENT

Indoor

DIMENSIONS

H: 82 cm / 32,28"
SH: 47 cm / 18,5"
AH: 64,4 cm / 23,35"
W: 56 cm / 22,05"
D: 57 cm / 18,5"

PRODUCTION PROCESS

The cut steel frame is welded by robotic welding, and then powder coated to obtain a robust surface. The back is made from bended plywood, which is then oiled for a soft and protective finish. The upholstered seat is produced by gluing foam onto the bended plywood shell upon which the textile or leather is mounted.

COLOUR

Back

Natural oak
Walnut

Seat

Dependent upon selected upholstery

Base

Black (RAL 9005)

GLOSS

Gloss 10-20

MATERIALS

Powder coated steel, curved plywood, oak or walnut veneer, foam and upholstery.

WEIGHT

13 kg / 28,6 lb

TEST

N / A

CERTIFICATIONS

EN16139:2013, L2
Crafted from FSC certified oak and ash

PACKAGING TYPE

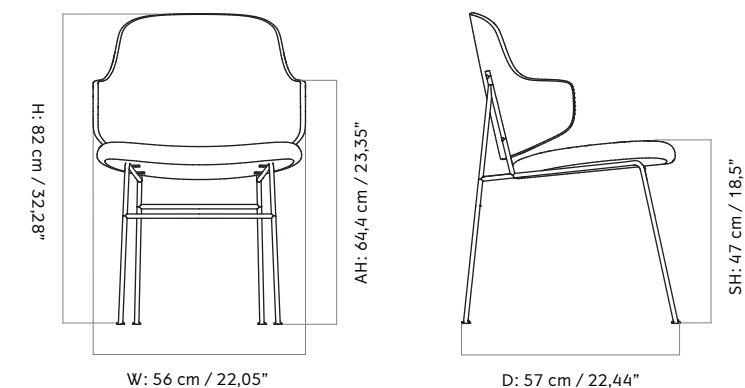
Brown box

PACKAGING MEASUREMENTS (H x W x D)

90 cm x 66 cm x 72 cm / 35,4" x 25,9" x 28,3"

MATERIALS & MAINTENANCE

Please visit [menuspace.com](https://www.menuspace.com) for materials, care and maintenance instructions.



W: 56 cm / 22,05"

D: 57 cm / 22,44"