

Audo

COPENHAGEN



CO BAR CHAIR, UPHOLSTERED
Designed by *Norm Architects & Els Van Hoorebeeck*



CO BAR CHAIR, SEAT UPHOLSTERED
Designed by *Norm Architects & Els Van Hoorebeeck*

Distinguished by its wide back, generous seat and slender frame, the Co Bar Chair is equal parts comfortable and elegant. Conceived in collaboration with Norm Architects and Els Van Hoorebeeck, the elevated design features a footrest for additional support as you sit.



PRODUCT OPTIONS

Seat



NATURAL OAK

DARK STAINED OAK

BLACK OAK

Seat



WITH UPHOLSTERY

Steel base



BLACK POWDER COATED STEEL

Spec options

Available in fabrics from our upholstery programme. Standard lead times apply.

For custom upholstery, please refer to the guiding textile/leather consumption:
COM: 0,59 m / 0,649 yds
COL: 0,88 m² / 9,4776 sqft

Prices excl. custom upholstery are equal to Price Category 1 Textile or Leather. Contact Sales support for approval of custom upholstery and to place your order.

The above textile consumption is only valid for textile rolls with a width equal to or greater than 140 cm. For smaller textile rolls, please contact Sales Support for guidance. For textile with pattern, please expect a higher usage for correct pattern fitting. Please contact Sales Support for guidance.

TECHNICAL SPECIFICATIONS

PRODUCT TYPE
Bar chair

COLLI
1

ENVIRONMENT
Indoor

DIMENSIONS
H: 106,5 cm / 41,9"
SH: 78,5 cm / 30,9"
W: 48,5 cm / 19,1"
D: 49,5 cm / 19,5"

PRODUCTION PROCESS
Veneered seat and backrest are made from curved plywood. CNC cut to shape parts. The core is made of beech veneer with an outer layer of oak veneer. Upholstered seat and backrest are made with an inner shell of birch plywood. The base is made of bent, welded powder coated steel tubes.

COLOUR

Backrest
Natural oak
Dark stained oak
Black oak

Seat with upholstery
Dependent upon selected upholstery

Base
Black (RAL 9005)

GLOSS
Gloss 20

MATERIALS

Backrest
Beech core plywood with oak veneer, black painted/dark stained/natural finish, with PU lacquer

Seat with upholstery
Veneer, CAL117 foam (20mm 45N / 40 kg and 10mm 32N / 40 kg), upholstery

Base
Powder coated steel

WEIGHT
6,8 kg / 15 lb

TEST
N / A

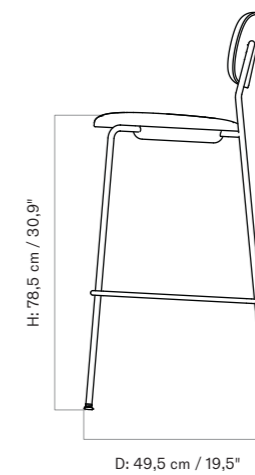
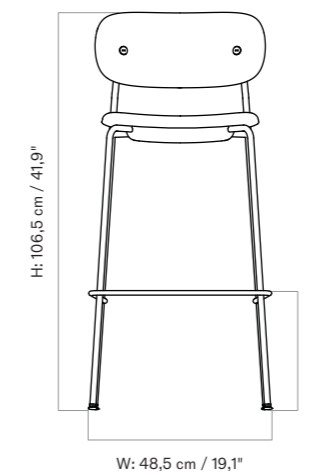
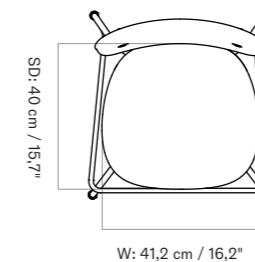
CERTIFICATIONS

Declare.

PACKAGING TYPE
Brown box

PACKAGING MEASUREMENTS
(H x W x D)
112 cm x 56 cm x 56 cm /
44,09" x 22,05" x 22,05"

MATERIALS & MAINTENANCE
Please visit audocph.com for materials, care and maintenance instructions.





CO BAR CHAIR, FULLY UPHOLSTERED
Designed by *Norm Architects & Els Van Hoorebeeck*

Distinguished by its wide back, generous seat and slender frame, the Co Bar Chair is equal parts comfortable and elegant. Conceived in collaboration with Norm Architects and Els Van Hoorebeeck, the elevated design features a footrest for additional support as you sit.



PRODUCT OPTIONS

Backrest



WITH UPHOLSTERY

Seat



WITH UPHOLSTERY

Steel base



BLACK POWDER COATED STEEL

Spec options

Available in fabrics from our upholstery programme. Standard lead times apply.

For custom upholstery, please refer to the guiding textile/leather consumption:
COM: 0,74 m / 0,814 yds
COL: 1,21 m² / 13,0317 sqft

Prices excl. custom upholstery are equal to Price Category 1 Textile or Leather. Contact Sales support for approval of custom upholstery and to place your order.

The above textile consumption is only valid for textile rolls with a width equal to or greater than 140 cm. For smaller textile rolls, please contact Sales Support for guidance. For textile with pattern, please expect a higher usage for correct pattern fitting. Please contact Sales Support for guidance.

TECHNICAL SPECIFICATIONS

PRODUCT TYPE
Bar chair

COLLI
1

ENVIRONMENT
Indoor

DIMENSIONS
H: 106,5 cm / 41,9"
SH: 78,5 cm / 30,9"
W: 48,5 cm / 19,1"
D: 49,5 cm / 19,5"

PRODUCTION PROCESS
Veneered seat and backrest are made from curved plywood. CNC cut to shape parts. The core is made of beech veneer with an outer layer of oak veneer. Upholstered seat and backrest are made with an inner shell of injection molded recycled polypropylene. The base is made of bent, welded powder coated steel tubes.

COLOUR
Seat and backrest with upholstery
Dependent upon selected upholstery

Base
Black (RAL 9005)

GLOSS
Gloss 20

MATERIALS
Seat and backrest with upholstery
Veneer, CAL117 foam (20mm 45N / 40 kg and 10mm 32N / 40 kg), upholstery

Base
Powder coated steel

WEIGHT
7 kg / 15,4 lb

TEST
N / A

CERTIFICATIONS
Declare.

PACKAGING TYPE
Brown box

PACKAGING MEASUREMENTS
(H x W x D)
112 cm x 56 cm x 56 cm /
44,09" x 22,05" x 22,05"

MATERIALS & MAINTENANCE
Please visit audocph.com for materials, care and maintenance instructions.

