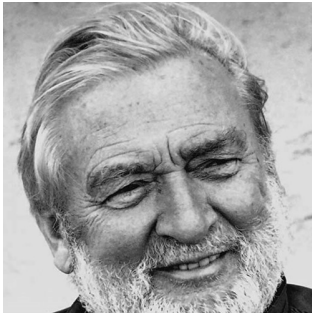


PANTHELLA 320 TABLE LAMP

The fixture emits a soft, comfortable, glare-free, light. The metal-shade versions direct the light directly downward, creating a pleasant illumination due to the inner white-painted shade and the reflection from the trumpet-shaped stem. The opal acrylic produces a diffused, comfortable light due to the translucent shade, the downward reflection from the inner shade, and the reflection from the trumpet-shaped stem.



Verner Panton

Verner Panton (1926-1998) is famous for his inspirational and colorful personality. A unique person with a special sense for color, shape, light function and space. Over the course of his career, Panton introduced a series of modern lamps with personalities unlike any of his Scandinavian contemporaries.



Product info

Information

White cord on white opal and metallised brass versions. Black cord on grey opal and chrome versions.

Mounting

Cord type: Plastic cord with plug. Cord length: 2.5 m. Light control: On/off switch on cord. Diffuser with bajonet lock.

Finish

White opal acrylic shade with white stand. Grey opal acrylic shade with high-luster chrome stand. High-luster chrome shade and stand. Brass metallised shade and stand.

Materials

Shade: Injection-molded acrylic or deep-drawn steel. Base and housing: Cast aluminum. Diffuser: Injection-molded opal pmma.

Sizes and weights

Width x Height x Length (mm) | 320 x 438 x 320 Max 1.5 kg

Class

Ingress protection IP20. Electric shock protection II.

Light source

1x7.5W E14 Max. diameter: 48 mm Max. height: 83 mm

Information

White cord on white opal and metallised brass versions. Black cord on grey opal and chrome versions.



Related products



Panthella 400 Table Lamp



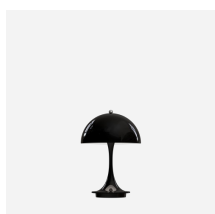
Panthella Floor



Panthella 250 Table Lamp



Panthella 160 Portable



Panthella Portable Metal

Product variants

| Colour | Cable type | Light source |
|--|------------|--------------|
| ● Brass metallised | Blk pl | 1x7.5W E14 |
| ● Grey opal acryl | Wht pl | |
| ● High lustre chrome plated | | |
| ● White opal acryl | | |

Design

Verner Panton

Weight

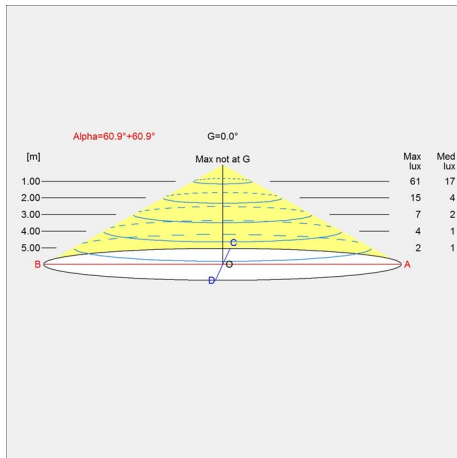
Min: 1.5 kg Max: 1.5 kg

Finish

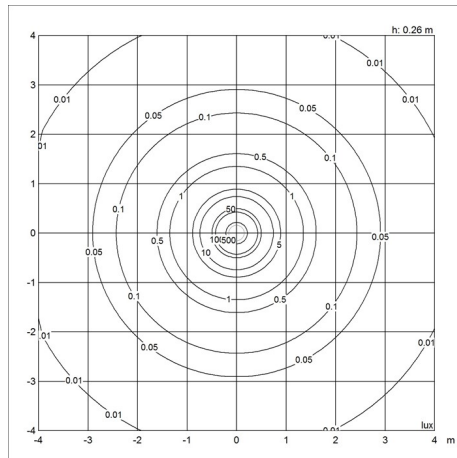
Brass metallised, Grey opal acryl, High lustre chrome plated, White opal acryl

Light distribution diagrams

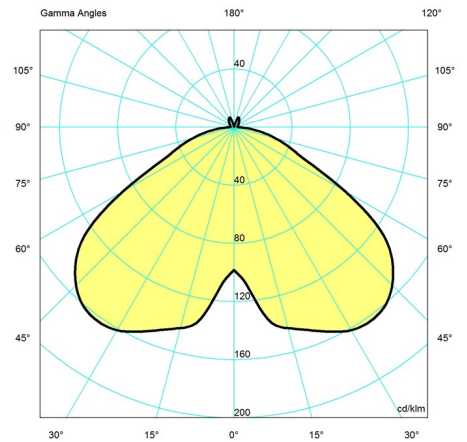
Cartesian



Isolux



Polar



Spare parts & accessories

Panthella 320 Table Lamp

| Product | Variant number |
|---------------------------------------|-----------------------|
| Panthella Table 320 diffuser | 5744167592 |
| Panthella Table 320 bayonet base | 5744167602 |
| Panthella Table 320 shade opal | 5744167615 |
| Panthella Table 320 shade brass PVD | 5744167628 |
| Panthella Table 320 shade chrome | 5744167631 |
| Panthella Table 320 top nut chrome | 5744167644 |
| Panthella Table 320 top nut brass PVD | 5744167657 |
| Panthella Table 320 shade opal grey | 5744168041 |