

# Original 1227™ Desk Lamp

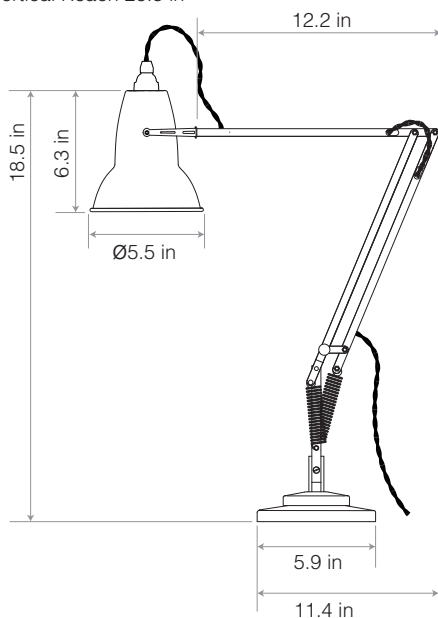
ANGLEPOISE®

Original 1227™ Collection | Technical Sheet

Launched In 1935 | Designed by George Carwardine



Max Horizontal Reach 28.3 in  
Max Vertical Reach 26.8 in



## Product

Desk Lamp - Jet Black  
Desk Lamp - Linen White  
Desk Lamp - Dove Grey  
Desk Lamp - Bright Chrome

## Description

Launched in 1935 and generally considered the archetypal Anglepoise, the Original 1227™ pioneered our unique constant spring technology to deliver ultimate flexibility and perfect balance. Today this timeless, classic design enjoys iconic design status.

## Materials

- Gloss paint finish
- Aluminum shade
- Chrome plated fittings
- Cast Iron base with steel cover
- Aluminum arms
- IP20 Rating

## Dimensions

- Shade diameter: 5.5in
- Shade height: 6.3in
- Max reach: 28.3in (from base to shade)
- Base size: 5.9in x 5.9in
- Cable length: 79in
- Lamp packaging (L x W x H): 12.4in x 7.5in x 18.9in
- Lamp packaged weight: 7.8lbs

## Electrical

- cUL Certified
- Voltage: 110/120V, 50/60Hz
- Note: Bulb weight critical for balance. Approximate bulb weight 25-45g
- Inline cable switch (11in from product)
- Plug: 2-blade US plug to NEMA 1-15
- E26 Lamp holder
- Maximum permitted bulb: 15W CFL / 10W LED
- Supplied with a compatible CFL or LED bulb:
  - 13W CFL Bulb
  - Luminous Intensity: 800lm
  - Life: 10,000 Hours
  - Non-dimmable
  - Color Temperature: 2700K
  - CRI (Ra) :  $\geq 80$
- 6.5W LED Bulb
- Luminous Intensity: 600lm
- Life: 15,000 Hours
- Non-dimmable
- Color Temperature: 2700K
- CRI (Ra) :  $\geq 80$



Bulb  
included



Accessories  
available



cUL  
certified