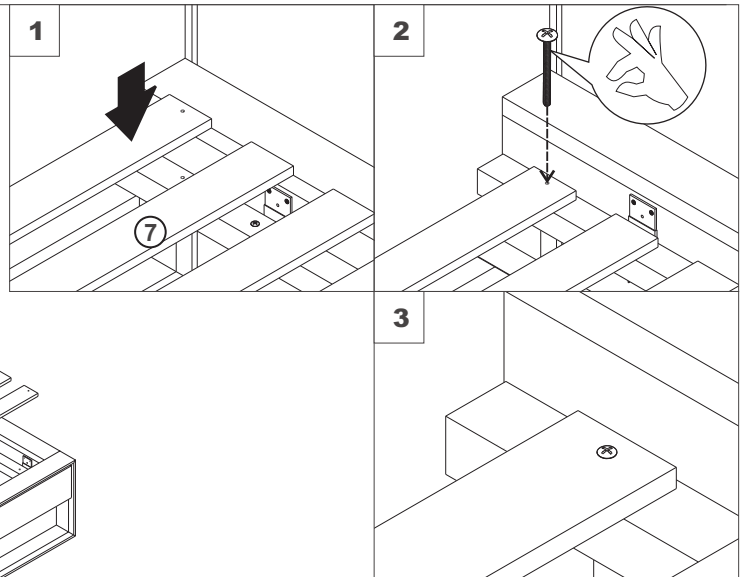
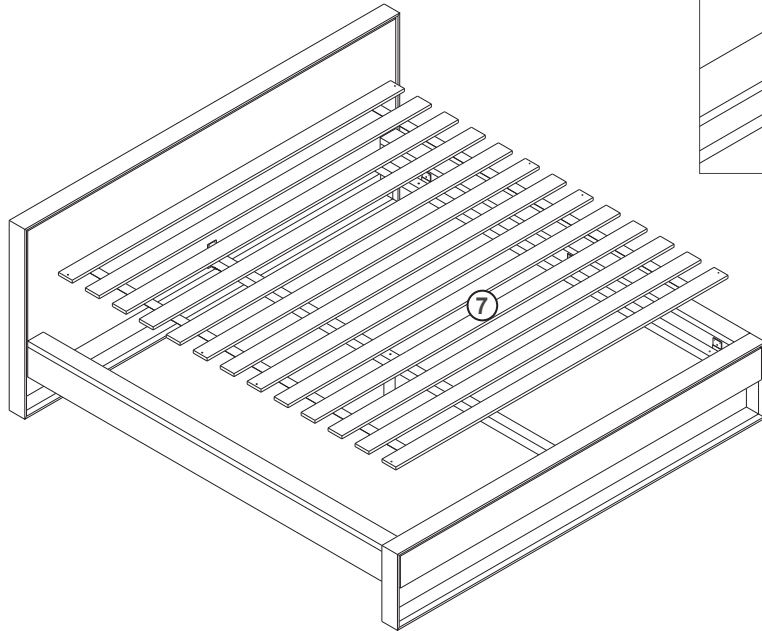


OAK NORDIC II BED - WITH SLATS ASSEMBLY INSTRUCTIONS FOR BED INSTALLATION

E. Installing Slats



 USE JF SCREW M5x40mm (8X)



SLATS TO BE ASSEMBLED ARE NUMBER 1, 6, 8, AND 13

F. Finish

