



charcoal:
NC-L-(cushion code)-CG



black:
NC-L-(cushion code)-BL



cloud:
NC-L-(cushion code)-CW



leaf:
NC-L-(cushion code)-LG



apple red:
NC-L-(cushion code)-AR



driftwood:
NC-L-(cushion code)-DW



navy blue:
NC-L-(cushion code)-NB



sky:
NC-L-(cushion code)-SB



sunset:
NC-L-(cushion code)-OR

cushion codes:



regatta: 5493



silver: 40433



flax: 5492



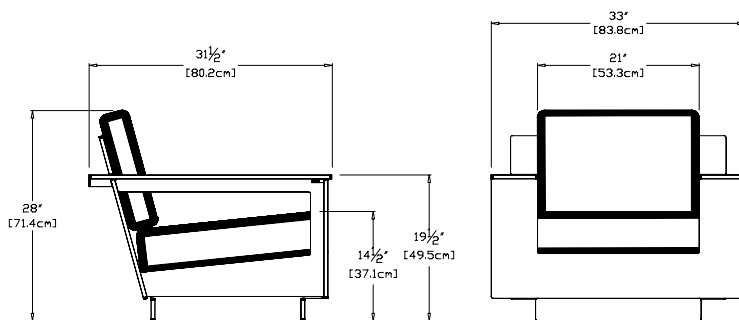
petal: 40431



charcoal: 40483



navy: 5493



collection: nisswa

material: High Density Poly Ethylene (HDPE) and Sunbrella Fabric

dimensions: width: 33" (83.8cm)
depth: 31.5" (80.2cm)
height: 28" (71.4cm)

weight: 53 lbs (24.1kg)

pairs well with a sofa.



shipping: Pallet



ships fully assembled