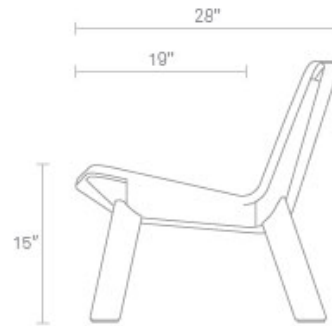
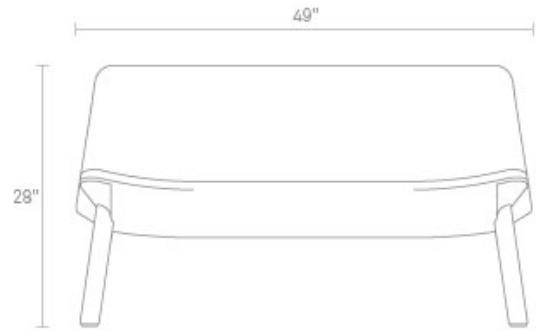


Neat Settee



Completely upholstered from top to bottom, the Neat Settee's unique exterior conceals a sturdy construction of injected foam, a wood shell and metal legs. An endearing and comfortable combination of footie pajamas with a pinch of Muppet™, Neat is designed to be as friendly to the posterior as it is to the eyes. Dining chair, Lounge chair and ottoman also available. Shop the entire Neat Collection



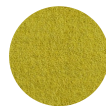
CAMEL LEATHER



INK LEATHER



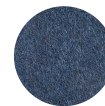
VESPER CHARCOAL



VESPER CITRON



VESPER LIGHT GREY



VESPER MARINE BLUE

Product Details

- Lightly padded and fully upholstered frame
- Gently contoured back and seat
- Plastic glides on feet to protect surfaces
- Thurmond felts: 80% Wool / 20% Nylon blend upholstery | 30,000 Double Rubs
- Camel Leather: An aniline leather that has been burnished and polished to create a cool hand and velvety texture with a slight sheen, enhancing the natural character of the leather; A lovely patina will develop over time
- Ink Leather: An aniline leather with a soft matte finish and velvety feel; Variation in the natural leather becomes more beautiful with use
- Color variation is a signature to the authenticity of natural leather
- Ships fully assembled
- BIFMA rated

NE1-SETTEE-CA	CAMEL LEATHER	\$1,799.00
NE1-SETTEE-IN	INK LEATHER	\$1,799.00
NE1-SETTEE-CL	VESPER CHARCOAL	\$1,299.00
NE1-SETTEE-CN	VESPER CITRON	\$1,299.00
NE1-SETTEE-GY	VESPER LIGHT GREY	\$1,299.00
NE1-SETTEE-MR	VESPER MARINE BLUE	\$1,299.00

Are you a trade professional? Visit bludot.com/trade-contract

BLUDOT.COM**TEL 844.425.8368****service@bludot.com**