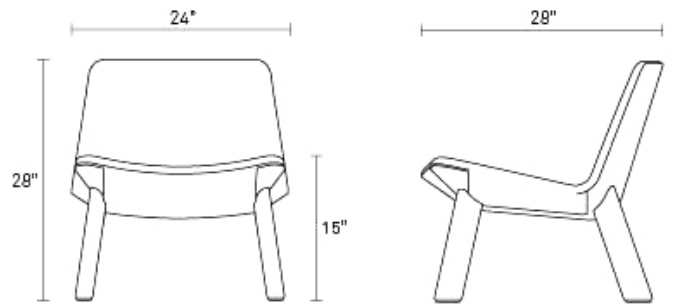


Neat Lounge Chair



Completely upholstered from top to bottom, the Neat Lounge is an endearing and robust combination of a foam and bent ply seat and back, metal legs, a dash of footie pajamas, and a pinch of Muppet™. As friendly to the posterior as it is to the eyes, Neat is one darn comfortable situation. Ottoman and dining chair also available. Shop the entire Neat Collection



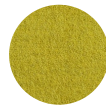
CAMEL LEATHER



INK LEATHER



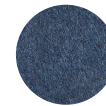
VESPER CHARCOAL



VESPER CITRON



VESPER LIGHT GREY



VESPER MARINE BLUE

Product Details

- Lightly padded and fully upholstered frame
- Gently contoured back and seat
- Plastic glides on feet to protect surfaces
- Vesper felts: 80% Wool / 20% Nylon blend upholstery | 30,000 Double Rubs
- Camel Leather: An aniline leather that has been burnished and polished to create a cool hand and velvety texture with a slight sheen, enhancing the natural character of the leather; A lovely patina will develop over time
- Ink Leather: An aniline leather with a soft matte finish and velvety feel; Variation in the natural leather becomes more beautiful with use
- Color variation is a signature to the authenticity of natural leather
- Ships fully assembled
- BIFMA rated

NE1-LNGCHR-CA

NE1-LNGCHR-IN

NE1-LNGCHR-CL

NE1-LNGCHR-CN

NE1-LNGCHR-GY

NE1-LNGCHR-MR

CAMEL LEATHER

INK LEATHER

VESPER CHARCOAL

VESPER CITRON

VESPER LIGHT GREY

VESPER MARINE BLUE

\$1,299.00

\$1,299.00

\$799.00

\$799.00

\$799.00

\$799.00

Are you a trade professional? [Visit bludot.com/trade-contract](https://www.bludot.com/trade-contract)