

Model 597 - Table lamp, US

Designed by Gianfranco Frattini - 1961



ITEM NUMBER

Model 597, Table Lamp, US - Polished Aluminum

10122046

DESCRIPTION

First released in 1961, the Model 597 by Italian virtuoso Gianfranco Frattini is the lamp that launched him as a lighting designer. Its unique and playful form perfectly encapsulates Frattini's extraordinary approach to the aesthetics of light. Model 597's unique nylon fringes were inspired by both the world of fashion and the fringed entrance curtains commonly found in Italy's bars and grocery stores in the late 1950s. Thanks to the array of lateral bulbs, the Table Lamps emit a 360° play of indirect light, softened by the fringes to create a rich ambient glow, while the reflective aluminum cover adds warmth to the upright. Model 597 is light-hearted in expression, but serious about functionality – bringing sophistication, fun and character to interiors without resorting to superfluous decorative flourishes.

Materials & Finishes

SHADE FINISH

Fringes, Viscose



BASE FINISH

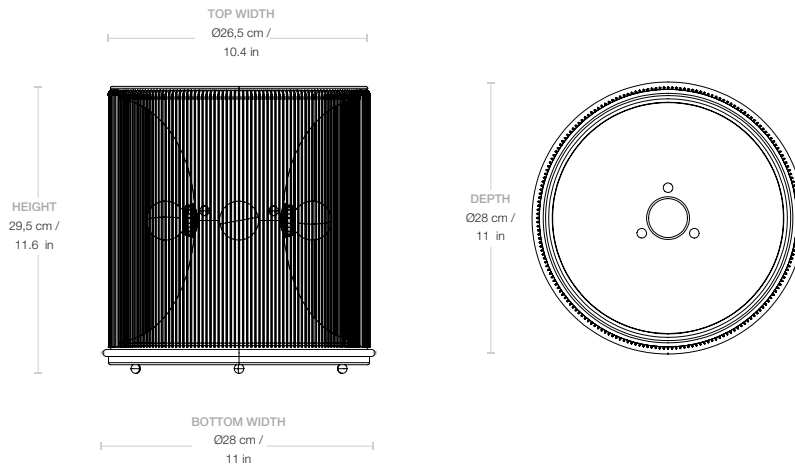
Aluminum, Polished



CORD SHAPE Round

CORD COLOR Black

Dimensions



LAMP WIDTH	28 cm / 11 in
LAMP DEPTH	28 cm / 11 in
LAMP HEIGHT	29,5 cm / 11.6 in
BASE WIDTH	28 cm / 11 in
BASE DEPTH	28 cm / 11 in
BASE HEIGHT	1,5 cm / 0.6 in
CORD LENGTH	250 cm / 98.4 in
DISTANCE TO SWITCH	60 cm / 23.6 in

Weight



TOTAL WEIGHT 1,5 kg / 3.3 lbs

Number of parcels	1
PACKAGING LENGTH	33 cm / 13 in
PACKAGING WIDTH	33 cm / 13 in
PACKAGING HEIGHT	35,3 cm / 13.9 in
PACKAGING WEIGHT	0,7 kg / 1.5 lbs
GROSS WEIGHT	2,2 kg / 4.8 lbs

Electrical Specifications

BULB SOCKET	5 x E12
RECOMMENDED BULB	4-6W LED, 470lm. Suggested to use mirrored bulb for top position.
DIMMER	No
SWITCH	On cable. Seperate control of top and base light.
VOLTAGE	120V
BULB INCLUDED	No

Test & Certifications

CERTIFICATION	 
ISOLATION CLASS	II
IP CLASSIFICATION	20
